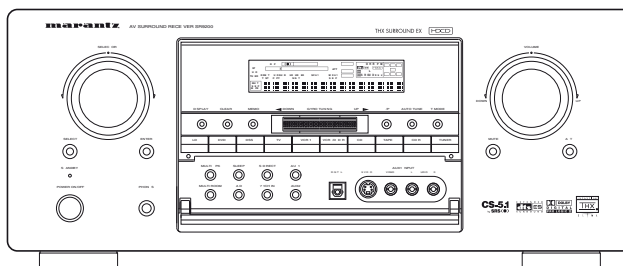


Service Manual

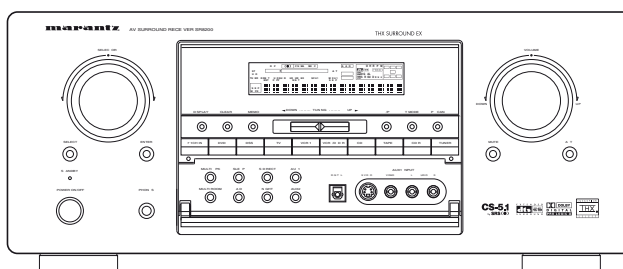
SR9200 /N1B/S1B/U1B
/N1G/S1G/U1G
SR8200 /N1B/S1B/U1B
/N1G/S1G/U1G
AV Surround Receiver

PS9200 /F1N
AV Surround Amplifier

SR9200



SR8200



CS-5.1
by SRS

EXTENDED
dts ES
SURROUND

DOLBY
DIGITAL
PRO LOGIC II

LUCASFILM
THX
ULTRA

LUCASFILM
THX
SELECT

THX SURROUND EX

HDCD

PS9200

SR9200 / SR8200

TABLE OF CONTENTS

SECTION	PAGE
1. TECHNICAL SPECIFICATIONS	1
2. WIRING DIAGRAM	11
3. BLOCK DIAGRAM	13
4. SCHEMATIC DIAGRAM	17
5. PARTS LOCATION	49
6. IC DATA	73
7. EXPLODED VIEW AND PARTS LIST	83
8. SERVICE PROGRAM	95
9. UPDATE FIRMWARE	97
10. POWER AMPLIFIER ADJUSTMENT	99
11. SYSTEM ERROR	101
12. TROUBLE SHOOTING	103
13. ELECTRICAL PARTS LIST	105

Please use this service manual with referring to the user guide (D.F.U.) without fail.

修理の際は、必ず取扱説明書を準備し操作方法を確認の上作業を行ってください。

marantz®

SR9200 / SR8200 / PS9200

344J855010 MIT
3120 785 22880
First Issue 2002.04

MARANTZ DESIGN AND SERVICE

Using superior design and selected high grade components, **MARANTZ** company has created the ultimate in stereo sound. Only original **MARANTZ** parts can insure that your **MARANTZ** product will continue to perform to the specifications for which it is famous.

Parts for your **MARANTZ** equipment are generally available to our National Marantz Subsidiary or Agent.

ORDERING PARTS :

Parts can be ordered either by mail or by Fax.. In both cases, the correct part number has to be specified.

The following information must be supplied to eliminate delays in processing your order :

1. Complete address
2. Complete part numbers and quantities required
3. Description of parts
4. Model number for which part is required
5. Way of shipment
6. Signature : any order form or Fax. must be signed, otherwise such part order will be considered as null and void.

USA

MARANTZ AMERICA, INC
1100 MAPLEWOOD DRIVE
ITASCA, IL. 60143
USA
PHONE : 630 - 741 - 0300
FAX : 630 - 741 - 0301

EUROPE / TRADING

MARANTZ EUROPE B.V.
P. O. BOX 8744, BUILDING SILVERPOINT
BEEMDSTRAAT 11, 5653 MA EINDHOVEN
THE NETHERLANDS
PHONE : +31 - 40 - 2507844
FAX : +31 - 40 - 2507860

CANADA

LENBROOK INDUSTRIES LIMITED
633 GRANITE COURT,
PICKERING, ONTARIO L1W 3K1
CANADA
PHONE : 905 - 831 - 6333
FAX : 905 - 831 - 6936

PROFESSIONAL AMERICAS

SUPERSCOPE TECHNOLOGIES, INC.
MARANTZ PROFESSIONAL PRODUCTS
2640 WHITE OAK CIRCLE, SUITE A
AURORA, ILLINOIS 60504 USA
PHONE : 630 - 820 - 4800
FAX : 630 - 820 - 8103

PROFESSIONAL AUSTRALIA

TECHNICAL AUDIO GROUP PTY, LTD
558 DARLING STREET,
BALMAIN, NSW 2041,
AUSTRALIA
PHONE : 61 - 2 - 9810 - 5300
FAX : 61 - 2 - 9810 - 5355

PROFESSIONAL HONG KONG

Jolly ProAudio Broadcast Engineering Ltd.
UNIT 2, 10F, WAH HUNG CENTRE,
41 HUNG TO ROAD, KWUN TONG, KLN.,
HONG KONG
PHONE : 852 - 21913660
FAX : 852 - 21913990

AUSTRALIA

QualiFi Pty Ltd,
24 LIONEL ROAD,
MT. WAVERLEY VIC 3149
AUSTRALIA
PHONE : +61 - (0)3 - 9543 - 1522
FAX : +61 - (0)3 - 9543 - 3677

THAILAND

MRZ STANDARD CO., LTD
746 - 754 MAHACHAI ROAD.,
WANGBURAPAPIROM, PHRANAKORN,
BANGKOK, 10200 THAILAND
PHONE : +66 - 2 - 222 9181
FAX : +66 - 2 - 224 6795

SINGAPORE

WO KEE HONG DISTRIBUTION PTE LTD
130 JOO SENG ROAD
#03-02 OLIVINE BUILDING
SINGAPORE 368357
PHONE : +65 6858 5535 / +65 6381 8621
FAX : +65 6858 6078

NEW ZEALAND

WILDASH AUDIO SYSTEMS NZ
14 MALVERN ROAD MT ALBERT
AUCKLAND NEW ZEALAND
PHONE : +64 - 9 - 8451958
FAX : +64 - 9 - 8463554

TAIWAN

PAI- YUING CO., LTD.
6 TH FL NO, 148 SUNG KIANG ROAD,
TAIPEI, 10429, TAIWAN R.O.C.
PHONE : +886 - 2 - 25221304
FAX : +886 - 2 - 25630415

MALAYSIA

WO KEE HONG ELECTRONICS SDN. BHD.
SUITE 8.1, LEVEL 8, MENARA GENESIS,
NO. 33, JALAN SULTAN ISMAIL,
50250 KUALA LUMPUR, MALAYSIA
PHONE : +60 3 - 21457677
FAX : +60 3 - 21458180

JAPAN Technical

MARANTZ JAPAN, INC.
35- 1, 7- CHOME, SAGAMIONO
SAGAMIHARA - SHI, KANAGAWA
JAPAN 228-8505
PHONE : +81 42 748 1013
FAX : +81 42 741 9190

日本マランツ株式会社

本社 〒228-8505
神奈川県相模原市相模大野7-35-1
営業本部 〒150-0022
東京都渋谷区恵比寿南1-11-9

KOREA

MK ENTERPRISES LTD.
ROOM 604/605, ELECTRO-OFFICETEL, 16-58,
3GA, HANGANG-RO, YONGSAN-KU, SEOUL
KOREA
PHONE : +822 - 3232 - 155
FAX : +822 - 3232 - 154

SHOCK, FIRE HAZARD SERVICE TEST :

CAUTION : After servicing this appliance and prior to returning to customer, measure the resistance between either primary AC cord connector pins (with unit NOT connected to AC mains and its Power switch ON), and the face or Front Panel of product and controls and chassis bottom.

Any resistance measurement less than 1 Megohms should cause unit to be repaired or corrected before AC power is applied, and verified before it is return to the user/customer.

Ref. UL Standard No. 1492.

In case of difficulties, do not hesitate to contact the Technical Department at above mentioned address.

1. TECHNICAL SPECIFICATIONS

SR9200

FM TUNER SECTION

Frequency Range	87.5 - 108.0 MHz
Usable Sensitivity	IHF 1.8 μ V/16.4 dBf
Signal to Noise Ratio	Mono/Stereo 75/70 dB
Distortion	Mono/Stereo 0.2/0.3 %
Stereo Separation	1 kHz 45 dB
Alternate Channel Selectivity	\pm 300 kHz 60 dB
Image Rejection	98 MHz 70 dB
Tuner Output Level	1 kHz, \pm 40 kHz Dev 800 mV (N/S)
.....	1 kHz, \pm 75 kHz Dev 800 mV (U)

AM TUNER SECTION

Frequency Range	LW: 152 -282 kHz, MW: 531 - 1602 kHz (N)
.....	531 - 1602 kHz (S)
.....	520 - 1710 kHz (U)
Signal to Noise Ratio	50 dB
Usable Sensitivity	Loop 400 μ V
Distortion	400 kHz, 30 % Mod. 0.5 % (N/S)
.....	1 kHz, 30 % Mod. 0.5 % (U)
Selectivity	\pm 18 kHz 70 dB (N/S)
.....	\pm 20 kHz 70 dB (U)

AUDIO SECTION

Power Output	
Front L&R (20 Hz - 20 kHz)	6 ohms 160 W / Ch
Center (20 Hz - 20 kHz)	6 ohms 160 W / Ch
Surround L&R (20 Hz - 20 kHz)	6 ohms 160 W / Ch
Surround Back L&R (20 Hz - 20 kHz)	6 ohms 160 W / Ch
THD Front (20 Hz - 20 kHz)	0.05 %
Input Sensitivity/Impedance	
Linear	195 mV/ 47 Kohms
Signal to Noise Ratio	
Linear	106 dB
Frequency Response (Analog Input / Source Direct)	8 Hz - 80 kHz (\pm 3 dB)
(Digital Input / 96 kHz PCM)	8 Hz - 45 kHz (\pm 3 dB)

VIDEO

Television Format	NTSC (U)
.....	NTSC/PAL (N/S)
Input Level/Impedance	1 Vp-p/75 ohms
Output Level/Impedance	1 Vp-p/75 ohms
Video Frequency Response	5 Hz to 8 MHz (+0, -1 dB)
S/N	60 dB

GENERAL

Power Requirement	AC 230 V 50 Hz(N/S)
.....	AC 120 V 60 Hz (U)
Power Consumption (Stereo Mode Rated Power)	530 W
Dimension (MAX)	
Width	440 mm (17-5/16 inches)
Height	184 mm (7-1/4 inches)
Depth	480 mm (18-7/8 inches)
Weight	19.5 Kg (43.6 lbs)

ACCESSORIES

Remote Control RC3200	1
FM Feeder Antenna	1
AM Loop Antenna	1
RS-232C Cable	1

SR8200

FM TUNER SECTION

Frequency Range	87.5 - 108.0 MHz
Usable Sensitivity	IHF 1.8 μ V/16.4 dB
Signal to Noise Ratio	Mono/Stereo 75/70 dB (N/S)
.....	Mono/Stereo 76/72 dB (U)
Distortion	Mono/Stereo 0.2/0.3 %
Stereo Separation	1 kHz 45 dB
Alternate Channel Selectivity	\pm 300 kHz 60 dB
Image Rejection	98 MHz 70 dB
Tuner Output Level	1 kHz, \pm 40 kHz Dev 800 mV (N/S)
.....	1 kHz, \pm 75 kHz Dev 800 mV (U)

AM TUNER SECTION

Frequency Range	LW: 152 -282 kHz, MW: 531 - 1602 kHz (N)
.....	-531 - 1602 kHz (S)
.....	520 - 1710 kHz (U)
Signal to Noise Ratio	50 dB
Usable Sensitivity	Loop 400 μ V
Distortion	400 kHz, 30 % Mod. 0.5 % (N/S)
.....	1 kHz, 30 % Mod. 0.5 % (U)
Selectivity	\pm 18 kHz 70 dB (N/S)
.....	\pm 20 kHz 70 dB (U)

AUDIO SECTION

Power Output	
Front L&R (20 Hz - 20 kHz)	6 ohms 130 W / Ch
Center (20 Hz - 20 kHz)	6 ohms 130 W / Ch
Surround L&R (20 Hz - 20 kHz)	6 ohms 130 W / Ch
Surround Back L&R (20 Hz - 20 kHz)	6 ohms 130 W / Ch
THD Front (20 Hz - 20 kHz)	0.09 %
Input Sensitivity/Impedance	
Linear	195 mV/ 47 Kohms (N)
.....	350 mV/ 47 Kohms (S/U)
Signal to Noise Ratio	
Linear	106 dB
Frequency Response (Analog Input / Source Direct)	8 Hz - 80 kHz (\pm 3 dB)
(Digital Input / 96 kHz PCM)	8 Hz - 45 kHz (\pm 3 dB)

VIDEO

Television Format	NTSC/PAL (N/S)
.....	NTSC (U)
Input Level/Impedance	1 Vp-p/75 ohms
Output Level/Impedance	1 Vp-p/75 ohms
Video Frequency Response	5 Hz to 8 MHz (+0, -1 dB)
S/N	60 dB

GENERAL

Power Requirement	AC 230 V 50 Hz(N/S)
.....	AC 120 V 60 Hz (U)
Power Consumption (Stereo Mode Rated Power)	400 W
Dimension (MAX)	
Width	440 mm (17-5/16 inches)
Height	184 mm (7-1/4 inches)
Depth	480 mm (18-7/8 inches)
Weight	19.3 Kg (42.5 lbs)

ACCESSORIES

Remote Control RC3200	1
FM Feeder Antenna	1
AM Loop Antenna	1
RS-232C Cable	1

PS9200

AUDIO SECTION

Power Output	
Front L&R (20 Hz - 20 kHz)	6 ohms 160 W / Ch
Center (20 Hz - 20 kHz)	6 ohms 160 W / Ch
Surround L&R (20 Hz - 20 kHz)	6 ohms 160 W / Ch
Surround Back L&R (20 Hz - 20 kHz)	6 ohms 160 W / Ch
THD Front (20 Hz - 20 kHz)	0.05 %
Input Sensitivity/Impedance	
Linear	195 mV/ 47 Kohms
Signal to Noise Ratio	
Linear	106 dB
Frequency Response (Analog Input / Source Direct)	8 Hz - 80 kHz (\pm 3 dB)
(Digital Input / 96 kHz PCM)	8 Hz - 45 kHz (\pm 3 dB)

VIDEO

Television Format	NTSC
Input Level/Impedance	1 Vp-p/75 ohms
Output Level/Impedance	1 Vp-p/75 ohms
Video Frequency Response	5 Hz to 8 MHz (+0, -1 dB)
S/N	60 dB

GENERAL

Power Requirement	AC 100 V 50/60 Hz
Power Consumption (Stereo Mode Rated Power)	530 W
Dimension (MAX)	
Width	455 mm
Height	180 mm
Depth	485 mm
Weight	22.3 Kg

ACCESSORIES

Remote Control RC3200	1
RS-232C Cable	1

SR9200

The relation between the selected surround mode and the input signal

The surround mode is selected with the surround mode buttons on SR9200 or the remote control unit. However, the sound you hear is subject to the relationship between the selected surround mode and input signal. That relationship is as follows;

Surround Mode	Input Signal	Output Channel					Signal format indicators	Channel status	Front information display	
		L/R	C	SL SR	SBL SBR	SubW			Dot matrix display	Segments
AUTO	Dolby D Surr. EX	○	○	○	○	○	DIGITAL	L,C,R,SL,SR,S,LFE	THX SUR EX	AUTO SURR
	DTS-ES	○	○	○	○	○	dts , ES	L,C,R,SL,SR,S,LFE	DTS ES	AUTO SURR
	Dolby D (5.1ch)	○	○	○	-	○	DIGITAL	L,C,R,SL,SR,LFE	DOLBY D	AUTO SURR
	DTS(5.1ch)	○	○	○	-	○	dts	L,C,R,SL,SR,LFE	DTS Cinema	AUTO SURR
	Dolby D(2ch)	○	-	-	-	○	DIGITAL	L,R	DOLBY D	AUTO SURR
	Dolby D(2ch Surr)	○	○	○	-	○	DIGITAL, SURROUND	L,R,S	DOLBY PL2	AUTO SURR, PLII, MOVIE
	PCM(Audio)	○	-	-	-	○	PCM	L,R	STEREO	AUTO SURR
	PCM 96kHz	○	-	-	-	○	PCM, 96kHz	L,R	STEREO	AUTO SURR
	HDCD	○	-	-	-	○	PCM, HDCD	L,R	STEREO	AUTO SURR
	Analog	○	-	-	-	○	ANALOG	-	STEREO	AUTO SURR
S-DIRECT	Dolby D Surr. EX	○	○	○	○	○	DIGITAL	L,C,R,SL,SR,S,LFE	S-DIRECT	AUTO SURR
	DTS-ES	○	○	○	○	○	dts , ES	L,C,R,SL,SR,S,LFE	S-DIRECT	AUTO SURR
	Dolby D (5.1ch)	○	○	○	-	○	DIGITAL	L,C,R,SL,SR,LFE	S-DIRECT	AUTO SURR
	DTS(5.1ch)	○	○	○	-	○	dts	L,C,R,SL,SR,LFE	S-DIRECT	AUTO SURR
	Dolby D(2ch)	○	-	-	-	-	DIGITAL	L,R	S-DIRECT	AUTO SURR
	Dolby D(2ch Surr)	○	○	○	-	-	DIGITAL, SURROUND	L,R,S	S-DIRECT	AUTO SURR, PLII, MOVIE
	PCM(Audio)	○	-	-	-	-	PCM	L,R	S-DIRECT	AUTO SURR
	PCM 96kHz	○	-	-	-	-	PCM, 96kHz	L,R	S-DIRECT	AUTO SURR
	HDCD	○	-	-	-	-	PCM, HDCD	L,R	S-DIRECT	AUTO SURR
	Analog	○	-	-	-	-	ANALOG	-	S-DIRECT	AUTO SURR
DTS cinema/music	Dolby D Surr. EX	-	-	-	-	-	(DIGITAL)	-	DTS CINEMA or DTS MUSIC	
	DTS-ES	○	○	○	-	○	dts , ES	L,C,R,SL,SR,S,LFE	DTS CINEMA or DTS MUSIC	
	Dolby D (5.1ch)	-	-	-	-	-	(DIGITAL)	-	DTS CINEMA or DTS MUSIC	
	DTS(5.1ch)	○	○	○	-	○	dts	L,C,R,SL,SR,LFE	DTS CINEMA or DTS MUSIC	
	Dolby D(2ch)	-	-	-	-	-	DIGITAL, SURROUND	-	DTS CINEMA or DTS MUSIC	
	Dolby D(2ch Surr)	-	-	-	-	-	DIGITAL, SURROUND	-	DTS CINEMA or DTS MUSIC	
	PCM(Audio)	-	-	-	-	-	(PCM)	-	DTS CINEMA or DTS MUSIC	
	PCM 96kHz	-	-	-	-	-	PCM, (96kHz)	-	DTS CINEMA or DTS MUSIC	
	HDCD	-	-	-	-	-	(PCM)	-	DTS CINEMA or DTS MUSIC	
	Analog	-	-	-	-	-	(ANALOG)	-	DTS CINEMA or DTS MUSIC	
DTS ES	Dolby D Surr. EX	-	-	-	-	-	(DIGITAL)	-	DTS ES	
	DTS-ES	○	○	○	○	○	dts , ES	L,C,R,SL,SR,S,LFE	DTS ES	Disc6.1
	Dolby D (5.1ch)	-	-	-	-	-	(DIGITAL)	-	DTS ES	
	DTS(5.1ch)	○	○	○	○	○	dts	L,C,R,SL,SR,LFE	DTS ES	Mtx 6.1
	Dolby D(2ch)	-	-	-	-	-	DIGITAL, SURROUND	-	DTS ES	
	Dolby D(2ch Surr)	-	-	-	-	-	DIGITAL, SURROUND	-	DTS ES	
	PCM(Audio)	-	-	-	-	-	(PCM)	-	DTS ES	
	PCM 96kHz	-	-	-	-	-	PCM, (96kHz)	-	DTS ES	
	HDCD	-	-	-	-	-	(PCM)	-	DTS ES	
	Analog	-	-	-	-	-	(ANALOG)	-	DTS ES	
Neo6	Dolby D Surr. EX	○	○	○	○	○	DIGITAL	L,C,R,SL,SR,S,LFE	DOLBY D	
	DTS-ES	○	○	○	○	○	dts ES	L,C,R,SL,SR,S,LFE	DTS ES	Disc6.1
	Dolby D (5.1ch)	○	○	○	-	○	DIGITAL	L,C,R,SL,SR,LFE	DOLBY D	
	DTS(5.1ch)	○	○	○	-	○	dts	L,C,R,SL,SR,LFE	DTS ES	Mtx 6.1
	Dolby D(2ch)	○	○	○	○	○	DIGITAL	L,R	NEO 6	
	Dolby D(2ch Surr)	○	○	○	○	○	DIGITAL, SURROUND	L,R	NEO 6	
	PCM(Audio)	○	○	○	○	○	PCM	L,R	NEO 6	
	PCM 96kHz	-	-	-	-	-	PCM, (96kHz)	-	NEO 6	
	HDCD	○	○	○	○	○	PCM	L,R	NEO 6	
	Analog	○	○	○	○	○	ANALOG	-	NEO 6	
THX	Dolby D Surr. EX	○	○	○	-	○	DIGITAL	L,C,R,SL,SR,S,LFE	THX 5.1	
	DTS-ES	○	○	○	-	○	dts , ES	L,C,R,SL,SR,S,LFE	THX 5.1	
	Dolby D (5.1ch)	○	○	○	-	○	DIGITAL	L,C,R,SL,SR,LFE	THX 5.1	
	DTS(5.1ch)	○	○	○	-	○	dts	L,C,R,SL,SR,LFE	THX 5.1	
	Dolby D(2ch)	○	○	○	-	○	DIGITAL	L,R	THX CINEMA	PLII, MOVIE
	Dolby D(2ch Surr)	○	○	○	-	○	DIGITAL, SURROUND	L,R,S	THX CINEMA	PLII, MOVIE
	PCM(Audio)	○	○	○	-	○	PCM	L,R	THX CINEMA	PLII, MOVIE
	PCM 96kHz	-	-	-	-	-	PCM, (96kHz)	-	THX CINEMA	PLII, MOVIE
	HDCD	○	○	○	-	○	PCM	L,R	THX CINEMA	PLII, MOVIE
	Analog	○	○	○	-	○	ANALOG	-	THX CINEMA	PLII, MOVIE
THX EX	Dolby D Surr. EX	○	○	○	○	○	DIGITAL	L,C,R,SL,SR,S,LFE	THX SUR EX	THX Surr EX
	DTS-ES	○	○	○	○	○	dts , ES	L,C,R,SL,SR,S,LFE	THX SUR EX	THX Surr EX
	Dolby D (5.1ch)	○	○	○	○	○	DIGITAL	L,C,R,SL,SR,LFE	THX SUR EX	THX Surr EX
	DTS(5.1ch)	○	○	○	○	○	dts	L,C,R,SL,SR,LFE	THX SUR EX	THX Surr EX
	Dolby D(2ch)	○	○	○	-	○	DIGITAL	L,R	THX CINEMA	THX Surr EX, PLII, MOVIE
	Dolby D(2ch Surr)	○	○	○	-	○	DIGITAL, SURROUND	L,R,S	THX CINEMA	THX Surr EX, PLII, MOVIE
	PCM(Audio)	○	○	○	-	○	PCM	L,R	THX CINEMA	THX Surr EX, PLII, MOVIE
	PCM 96kHz	-	-	-	-	-	PCM, (96kHz)	-	THX CINEMA	THX Surr EX, PLII, MOVIE
	HDCD	○	○	○	-	○	PCM	L,R	THX CINEMA	THX Surr EX, PLII, MOVIE
	Analog	○	○	○	-	○	ANALOG	-	THX CINEMA	THX Surr EX, PLII, MOVIE
DOLBY (PL2-movie) (PL2-music) (PL2-PL)	Dolby D Surr. EX	○	○	○	○	○	DIGITAL	L,C,R,SL,SR,S,LFE	DOLBY D	
	DTS-ES	-	-	-	-	-	(dts)	-	DOLBY D	
	Dolby D (5.1ch)	○	○	○	-	○	DIGITAL	L,C,R,SL,SR,LFE	DOLBY D	
	DTS(5.1ch)	○	○	○	-	○	(dts)	-	DOLBY D	
	Dolby D(2ch)	○	○	○	-	○	DIGITAL	L,R	DOLBY PL2	PLII, MOVIE or MUSIC or PL
	Dolby D(2ch Surr)	○	○	○	-	○	DIGITAL, SURROUND	L,R,S	DOLBY PL2	PLII, MOVIE or MUSIC or PL
	PCM(Audio)	○	○	○	-	○	PCM	L,R	DOLBY PL2	PLII, MOVIE or MUSIC or PL
	PCM 96kHz	-	-	-	-	-	PCM, (96kHz)	-	DOLBY D	PLII, MOVIE or MUSIC or PL
	HDCD	○	○	○	-	○	PCM	L,R	DOLBY PL2	PLII, MOVIE or MUSIC or PL
	Analog	○	○	○	-	○	ANALOG	-	DOLBY PL2	PLII, MOVIE or MUSIC or PL

Surround Mode	Input Signal	Output Channel					Signal format indicators	Channel status	Front information display		
		L/R	C	SL SR	SBL SBR	SubW			Dot matrix display	Segments	
CS5.1 music CS5.1 cinema	Dolby D Surr. EX	○	○	○	-	○	DIGITAL	L,C,R,SL,SR,S,LFE	DOLBY D		
	DTS-ES	○	○	○	-	○	dtc , ES	L,C,R,SL,SR,S,LFE	DTS-ES		
	Dolby D (5.1ch)	○	○	○	-	○	DIGITAL	L,C,R,SL,SR,LFE	DOLBY D		
	DTS(5.1ch)	○	○	○	-	○	dtc	L,C,R,SL,SR,LFE	DTS cinema or DTS music		
	Dolby D(2ch)	○	○	○	-	○	DIGITAL	L,R	CS5.1		MUSIC or CINEMA
	Dolby D(2ch Surr)	○	○	○	-	○	DIGITAL, SURROUND	L,R,S	CS5.1		MUSIC or CINEMA
	PCM(Audio)	○	○	○	-	○	PCM	L,R	CS5.1		MUSIC or CINEMA
	PCM 96kHz	-	-	-	-	-	PCM, (96kHz)	-	CS5.1		MUSIC or CINEMA
	HDCD	○	○	○	-	○	PCM	L,R	CS5.1		MUSIC or CINEMA
	Analog	○	○	○	-	○	ANALOG	-	CS5.1		MUSIC or CINEMA
STEREO	Dolby D Surr. EX	○	-	-	-	○	DIGITAL	L,C,R,SL,SR,S,LFE	STEREO		
	DTS-ES	○	-	-	-	○	dtc , ES	L,C,R,SL,SR,S,LFE	STEREO		
	Dolby D (5.1ch)	○	-	-	-	○	DIGITAL	L,C,R,SL,SR,LFE	STEREO		
	DTS(5.1ch)	○	-	-	-	○	dtc	L,C,R,SL,SR,LFE	STEREO		
	Dolby D(2ch)	○	-	-	-	○	DIGITAL	L,R	STEREO		
	Dolby D(2ch Surr)	○	-	-	-	○	DIGITAL, SURROUND	L,R,S	STEREO		
	PCM(Audio)	○	-	-	-	○	PCM	L,R	STEREO		
	PCM 96kHz	○	-	-	-	○	PCM, 96kHz	-	STEREO		
	HDCD	○	-	-	-	○	PCM, HDCD	L,R	STEREO		
	Analog	○	-	-	-	○	ANALOG	-	STEREO		
Virtual	Dolby D Surr. EX	○	-	-	-	○	DIGITAL	L,C,R,SL,SR,S,LFE	VIRTUAL		
	DTS-ES	○	-	-	-	○	dtc , ES	L,C,R,SL,SR,S,LFE	VIRTUAL		
	Dolby D (5.1ch)	○	-	-	-	○	DIGITAL	L,C,R,SL,SR,LFE	VIRTUAL		
	DTS(5.1ch)	○	-	-	-	○	dtc	L,C,R,SL,SR,LFE	VIRTUAL		
	Dolby D(2ch)	○	-	-	-	○	DIGITAL	L,R	VIRTUAL		
	Dolby D(2ch Surr)	○	-	-	-	○	DIGITAL, SURROUND	L,R,S	VIRTUAL		
	PCM(Audio)	○	-	-	-	○	PCM	L,R	VIRTUAL		
	PCM 96kHz	-	-	-	-	-	PCM, (96kHz)	-	VIRTUAL		
	HDCD	○	-	-	-	○	PCM	L,R	VIRTUAL		
	Analog	○	-	-	-	○	ANALOG	-	VIRTUAL		
Multi Ch. Stereo	Dolby D Surr. EX	○	○	○	○	○	DIGITAL	L,C,R,SL,SR,S,LFE	M-CH ST		
	DTS-ES	○	○	○	○	○	dtc , ES	L,C,R,SL,SR,S,LFE	M-CH ST		
	Dolby D (5.1ch)	○	○	○	○	○	DIGITAL	L,C,R,SL,SR,LFE	M-CH ST		
	DTS(5.1ch)	○	○	○	○	○	dtc	L,C,R,SL,SR,LFE	M-CH ST		
	Dolby D(2ch)	○	○	○	○	○	DIGITAL	L,R	M-CH ST		
	Dolby D(2ch Surr)	○	○	○	○	○	DIGITAL, SURROUND	L,R,S	M-CH ST		
	PCM(Audio)	○	○	○	○	○	PCM	L,R	M-CH ST		
	PCM 96kHz	-	-	-	-	-	PCM, (96kHz)	-	M-CH ST		
	HDCD	○	○	○	○	○	PCM	L,R	M-CH ST		
	Analog	○	○	○	○	○	ANALOG	-	M-CH ST		
MOVIE HALL MATRIX	Dolby D Surr. EX	○	○	○	-	○	DIGITAL	L,C,R,SL,SR,S,LFE	MOVIE, HALL, MATRIX		
	DTS-ES	○	○	○	-	○	dtc , ES	L,C,R,SL,SR,S,LFE	MOVIE, HALL, MATRIX		
	Dolby D (5.1ch)	○	○	○	-	○	DIGITAL	L,C,R,SL,SR,LFE	MOVIE, HALL, MATRIX		
	DTS(5.1ch)	○	○	○	-	○	dtc	L,C,R,SL,SR,LFE	MOVIE, HALL, MATRIX		
	Dolby D(2ch)	○	○	○	-	○	DIGITAL	L,R	MOVIE, HALL, MATRIX		
	Dolby D(2ch Surr)	○	○	○	-	○	DIGITAL, SURROUND	L,R,S	MOVIE, HALL, MATRIX		
	PCM(Audio)	○	○	○	-	○	PCM	L,R	MOVIE, HALL, MATRIX		
	PCM 96kHz	-	-	-	-	-	PCM, (96kHz)	-	MOVIE, HALL, MATRIX		
	HDCD	○	○	○	-	○	PCM	L,R	MOVIE, HALL, MATRIX		
	Analog	○	○	○	-	○	ANALOG	-	MOVIE, HALL, MATRIX		

Note: DOLBY-D(2ch Surr)signals have Dolby Surround flag.
SPKRS setup is full THX system (8ch Speakers).

L/R : Front speaker
SL/SR : Surround speaker
SBL/SBR : Surround back speaker
C : Center speaker
SubW : Sub woofer speaker

PL: The PRO LOGIC indicator lights
PLII: The PRO LOGIC II indicator lights
() : The indicator blinks

SR8200

The relation between the selected surround mode and the input signal

The surround mode is selected with the surround mode buttons on SR8200 or the remote control unit. However, the sound you hear is subject to the relationship between the selected surround mode and input signal. That relationship is as follows;

Surround Mode	Input Signal	Output Channel					Front information display			
		L/R	C	SL SR	SB	SubW	Signal format indicators	Channel status	Dot matrix display	Segments
AUTO	Dolby D Surr. EX	○	○	○	○	○	☐ DIGITAL	L,C,R,SL,SR,S,LFE	THX SUR EX	AUTO SURR
	DTS-ES	○	○	○	○	○	dtc , ES	L,C,R,SL,SR,S,LFE	DTS ES	AUTO SURR
	Dolby D (5.1ch)	○	○	○	-	○	☐ DIGITAL	L,C,R,SL,SR,LFE	DOLBY D	AUTO SURR
	DTS(5.1ch)	○	○	○	-	○	dtc	L,C,R,SL,SR,LFE	DTS Cinema	AUTO SURR
	Dolby D(2ch)	○	-	-	-	○	☐ DIGITAL	L,R	DOLBY D	AUTO SURR
	Dolby D(2ch Surr)	○	○	○	-	○	☐ DIGITAL , ☐ SURROUND	L,R,S	DOLBY PL2	AUTO SURR, PLII, MOVIE
	PCM(Audio)	○	-	-	-	○	PCM	L,R	STEREO	AUTO SURR
	PCM 96kHz	○	-	-	-	○	PCM, 96kHz	L,R	STEREO	AUTO SURR
Analog	○	-	-	-	○	ANALOG	-	STEREO	AUTO SURR	
S-DIRECT	Dolby D Surr. EX	○	○	○	○	○	☐ DIGITAL	L,C,R,SL,SR,S,LFE	S-DIRECT	AUTO SURR
	DTS-ES	○	○	○	○	○	dtc , ES	L,C,R,SL,SR,S,LFE	S-DIRECT	AUTO SURR
	Dolby D (5.1ch)	○	○	○	-	○	☐ DIGITAL	L,C,R,SL,SR,LFE	S-DIRECT	AUTO SURR
	DTS(5.1ch)	○	○	○	-	○	dtc	L,C,R,SL,SR,LFE	S-DIRECT	AUTO SURR
	Dolby D(2ch)	○	-	-	-	-	☐ DIGITAL	L,R	S-DIRECT	AUTO SURR
	Dolby D(2ch Surr)	○	○	○	-	-	☐ DIGITAL , ☐ SURROUND	L,R,S	S-DIRECT	AUTO SURR, PLII, MOVIE
	PCM(Audio)	○	-	-	-	-	PCM	L,R	S-DIRECT	AUTO SURR
	PCM 96kHz	○	-	-	-	-	PCM, 96kHz	L,R	S-DIRECT	AUTO SURR
Analog	○	-	-	-	-	ANALOG	-	S-DIRECT	AUTO SURR	
DTS cinema/music	Dolby D Surr. EX	-	-	-	-	-	(☐ DIGITAL)	-	DTS CINEMA or DTS MUSIC	
	DTS-ES	○	○	○	-	○	dtc , ES	L,C,R,SL,SR,S,LFE	DTS CINEMA or DTS MUSIC	
	Dolby D (5.1ch)	-	-	-	-	-	(☐ DIGITAL)	-	DTS CINEMA or DTS MUSIC	
	DTS(5.1ch)	○	○	○	-	○	dtc	L,C,R,SL,SR,LFE	DTS CINEMA or DTS MUSIC	
	Dolby D(2ch)	-	-	-	-	-	(☐ DIGITAL , ☐ SURROUND)	-	DTS CINEMA or DTS MUSIC	
	Dolby D(2ch Surr)	-	-	-	-	-	(☐ DIGITAL , ☐ SURROUND)	-	DTS CINEMA or DTS MUSIC	
	PCM(Audio)	-	-	-	-	-	(PCM)	-	DTS CINEMA or DTS MUSIC	
	PCM 96kHz	-	-	-	-	-	PCM, (96kHz)	-	DTS CINEMA or DTS MUSIC	
Analog	-	-	-	-	-	(ANALOG)	-	DTS CINEMA or DTS MUSIC		
DTS ES	Dolby D Surr. EX	-	-	-	-	-	(☐ DIGITAL)	-	DTS ES	
	DTS-ES	○	○	○	○	○	dtc , ES	L,C,R,SL,SR,S,LFE	DTS ES	Disc6.1
	Dolby D (5.1ch)	-	-	-	-	-	(☐ DIGITAL)	-	DTS ES	
	DTS(5.1ch)	○	○	○	○	○	dtc	L,C,R,SL,SR,LFE	DTS ES	Mtx 6.1
	Dolby D(2ch)	-	-	-	-	-	(☐ DIGITAL , ☐ SURROUND)	-	DTS ES	
	Dolby D(2ch Surr)	-	-	-	-	-	(☐ DIGITAL , ☐ SURROUND)	-	DTS ES	
	PCM(Audio)	-	-	-	-	-	(PCM)	-	DTS ES	
	PCM 96kHz	-	-	-	-	-	PCM, (96kHz)	-	DTS ES	
Analog	-	-	-	-	-	(ANALOG)	-	DTS ES		
Neo6	Dolby D Surr. EX	○	○	○	○	○	☐ DIGITAL	L,C,R,SL,SR,S,LFE	DOLBY D	
	DTS-ES	○	○	○	○	○	dtc ES	L,C,R,SL,SR,S,LFE	DTS ES	Disc6.1
	Dolby D (5.1ch)	○	○	○	-	○	☐ DIGITAL	L,C,R,SL,SR,LFE	DOLBY D	
	DTS(5.1ch)	○	○	○	-	○	dtc	L,C,R,SL,SR,LFE	DTS ES	Mtx 6.1
	Dolby D(2ch)	○	○	○	○	○	☐ DIGITAL	L,R	NEO 6	
	Dolby D(2ch Surr)	○	○	○	○	○	☐ DIGITAL , ☐ SURROUND	L,R	NEO 6	
	PCM(Audio)	○	○	○	○	○	PCM	L,R	NEO 6	
	PCM 96kHz	-	-	-	-	-	PCM, (96kHz)	-	NEO 6	
Analog	○	○	○	○	○	ANALOG	-	NEO 6		
THX	Dolby D Surr. EX	○	○	○	○	○	☐ DIGITAL	L,C,R,SL,SR,S,LFE	THX 5.1	
	DTS-ES	○	○	○	-	○	dtc , ES	L,C,R,SL,SR,S,LFE	THX 5.1	
	Dolby D (5.1ch)	○	○	○	-	○	☐ DIGITAL	L,C,R,SL,SR,LFE	THX 5.1	
	DTS(5.1ch)	○	○	○	-	○	dtc	L,C,R,SL,SR,LFE	THX 5.1	
	Dolby D(2ch)	○	○	○	-	○	☐ DIGITAL	L,R	THX CINEMA	PLII, MOVIE
	Dolby D(2ch Surr)	○	○	○	-	○	☐ DIGITAL , ☐ SURROUND	L,R,S	THX CINEMA	PLII, MOVIE
	PCM(Audio)	○	○	○	-	○	PCM	L,R	THX CINEMA	PLII, MOVIE
	PCM 96kHz	-	-	-	-	-	PCM, (96kHz)	-	THX CINEMA	PLII, MOVIE
Analog	○	○	○	-	○	ANALOG	-	THX CINEMA	PLII, MOVIE	
THX EX	Dolby D Surr. EX	○	○	○	○	○	☐ DIGITAL	L,C,R,SL,SR,S,LFE	THX SUR EX	THX Surr EX
	DTS-ES	○	○	○	○	○	dtc , ES	L,C,R,SL,SR,S,LFE	THX SUR EX	THX Surr EX
	Dolby D (5.1ch)	○	○	○	○	○	☐ DIGITAL	L,C,R,SL,SR,LFE	THX SUR EX	THX Surr EX
	DTS(5.1ch)	○	○	○	○	○	dtc	L,C,R,SL,SR,LFE	THX SUR EX	THX Surr EX
	Dolby D(2ch)	○	○	○	-	○	☐ DIGITAL	L,R	THX CINEMA	THX Surr EX, PLII, MOVIE
	Dolby D(2ch Surr)	○	○	○	-	○	☐ DIGITAL , ☐ SURROUND	L,R,S	THX CINEMA	THX Surr EX, PLII, MOVIE
	PCM(Audio)	○	○	○	-	○	PCM	L,R	THX CINEMA	THX Surr EX, PLII, MOVIE
	PCM 96kHz	-	-	-	-	-	PCM, (96kHz)	-	THX CINEMA	THX Surr EX, PLII, MOVIE
Analog	○	○	○	-	○	ANALOG	-	THX CINEMA	THX Surr EX, PLII, MOVIE	
DOLBY (PL2-movie) (PL2-music) (PL2-PL)	Dolby D Surr. EX	○	○	○	○	○	☐ DIGITAL	L,C,R,SL,SR,S,LFE	DOLBY D	
	DTS-ES	-	-	-	-	-	(dtc)	-	DOLBY D	
	Dolby D (5.1ch)	○	○	○	-	○	☐ DIGITAL	L,C,R,SL,SR,LFE	DOLBY D	
	DTS(5.1ch)	-	-	-	-	-	(dtc)	-	DOLBY D	
	Dolby D(2ch)	○	○	○	-	○	☐ DIGITAL	L,R	DOLBY PL2	PLII, MOVIE or MUSIC or PL
	Dolby D(2ch Surr)	○	○	○	-	○	☐ DIGITAL , ☐ SURROUND	L,R,S	DOLBY PL2	PLII, MOVIE or MUSIC or PL
	PCM(Audio)	○	○	○	-	○	PCM	L,R	DOLBY PL2	PLII, MOVIE or MUSIC or PL
	PCM 96kHz	-	-	-	-	-	PCM, (96kHz)	-	DOLBY D	PLII, MOVIE or MUSIC or PL
Analog	○	○	○	-	○	ANALOG	-	DOLBY PL2	PLII, MOVIE or MUSIC or PL	

Surround Mode	Input Signal	Output Channel					Signal format indicators	Channel status	Front information display	
		L/R	C	SL SR	SB	SubW			Dot matrix display	Segments
CS5.1 music CS5.1 cinema	Dolby D Surr. EX	○	○	○	-	○	(<input checked="" type="checkbox"/>) DIGITAL	L,C,R,SL,SR,S,LFE	DOLBY D	
	DTS-ES	○	○	○	○	○	dtc , ES	L,C,R,SL,SR,S,LFE	DTS-ES	
	Dolby D (5.1ch)	○	○	○	-	○	(<input checked="" type="checkbox"/>) DIGITAL	L,C,R,SL,SR,LFE	DOLBY D	
	DTS(5.1ch)	○	○	○	-	○	dtc	L,C,R,SL,SR,LFE	DTS cinema or DTS music	
	Dolby D(2ch)	○	○	○	-	○	(<input checked="" type="checkbox"/>) DIGITAL	L,R	CS5.1	(●) MUSIC or CINEMA
	Dolby D(2ch Surr)	○	○	○	-	○	(<input checked="" type="checkbox"/>) DIGITAL, (<input checked="" type="checkbox"/>) SURROUND	L,R,S	CS5.1	(●) MUSIC or CINEMA
	PCM(Audio)	○	○	○	-	○	PCM	L,R	CS5.1	(●) MUSIC or CINEMA
	PCM 96kHz	-	-	-	-	-	PCM, (96kHz)	-	CS5.1	(●) MUSIC or CINEMA
Analog	○	○	○	-	○	ANALOG	-	CS5.1	(●) MUSIC or CINEMA	
STEREO	Dolby D Surr. EX	○	-	-	-	○	(<input checked="" type="checkbox"/>) DIGITAL	L,C,R,SL,SR,S,LFE	STEREO	
	DTS-ES	○	-	-	-	○	dtc , ES	L,C,R,SL,SR,S,LFE	STEREO	
	Dolby D (5.1ch)	○	-	-	-	○	(<input checked="" type="checkbox"/>) DIGITAL	L,C,R,SL,SR,LFE	STEREO	
	DTS(5.1ch)	○	-	-	-	○	dtc	L,C,R,SL,SR,LFE	STEREO	
	Dolby D(2ch)	○	-	-	-	○	(<input checked="" type="checkbox"/>) DIGITAL	L,R	STEREO	
	Dolby D(2ch Surr)	○	-	-	-	○	(<input checked="" type="checkbox"/>) DIGITAL, (<input checked="" type="checkbox"/>) SURROUND	L,R,S	STEREO	
	PCM(Audio)	○	-	-	-	○	PCM	L,R	STEREO	
	PCM 96kHz	○	-	-	-	○	PCM, 96kHz	-	STEREO	
Analog	○	-	-	-	○	ANALOG	-	STEREO		
Virtual	Dolby D Surr. EX	○	-	-	-	○	(<input checked="" type="checkbox"/>) DIGITAL	L,C,R,SL,SR,S,LFE	VIRTUAL	
	DTS-ES	○	-	-	-	○	dtc , ES	L,C,R,SL,SR,S,LFE	VIRTUAL	
	Dolby D (5.1ch)	○	-	-	-	○	(<input checked="" type="checkbox"/>) DIGITAL	L,C,R,SL,SR,LFE	VIRTUAL	
	DTS(5.1ch)	○	-	-	-	○	dtc	L,C,R,SL,SR,LFE	VIRTUAL	
	Dolby D(2ch)	○	-	-	-	○	(<input checked="" type="checkbox"/>) DIGITAL	L,R	VIRTUAL	
	Dolby D(2ch Surr)	○	-	-	-	○	(<input checked="" type="checkbox"/>) DIGITAL, (<input checked="" type="checkbox"/>) SURROUND	L,R,S	VIRTUAL	
	PCM(Audio)	○	-	-	-	○	PCM	L,R	VIRTUAL	
	PCM 96kHz	-	-	-	-	-	PCM, (96kHz)	-	VIRTUAL	
Analog	○	-	-	-	○	ANALOG	-	VIRTUAL		
Multi Ch. Stereo	Dolby D Surr. EX	○	○	○	○	○	(<input checked="" type="checkbox"/>) DIGITAL	L,C,R,SL,SR,S,LFE	M-CH ST	
	DTS-ES	○	○	○	○	○	dtc , ES	L,C,R,SL,SR,S,LFE	M-CH ST	
	Dolby D (5.1ch)	○	○	○	○	○	(<input checked="" type="checkbox"/>) DIGITAL	L,C,R,SL,SR,LFE	M-CH ST	
	DTS(5.1ch)	○	○	○	○	○	dtc	L,C,R,SL,SR,LFE	M-CH ST	
	Dolby D(2ch)	○	○	○	○	○	(<input checked="" type="checkbox"/>) DIGITAL	L,R	M-CH ST	
	Dolby D(2ch Surr)	○	○	○	○	○	(<input checked="" type="checkbox"/>) DIGITAL, (<input checked="" type="checkbox"/>) SURROUND	L,R,S	M-CH ST	
	PCM(Audio)	○	○	○	○	○	PCM	L,R	M-CH ST	
	PCM 96kHz	-	-	-	-	-	PCM, (96kHz)	-	M-CH ST	
Analog	○	○	○	○	○	ANALOG	-	M-CH ST		
MOVIE HALL MATRIX	Dolby D Surr. EX	○	○	○	-	○	(<input checked="" type="checkbox"/>) DIGITAL	L,C,R,SL,SR,S,LFE	MOVIE, HALL, MATRIX	
	DTS-ES	○	○	○	-	○	dtc , ES	L,C,R,SL,SR,S,LFE	MOVIE, HALL, MATRIX	
	Dolby D (5.1ch)	○	○	○	-	○	(<input checked="" type="checkbox"/>) DIGITAL	L,C,R,SL,SR,LFE	MOVIE, HALL, MATRIX	
	DTS(5.1ch)	○	○	○	-	○	dtc	L,C,R,SL,SR,LFE	MOVIE, HALL, MATRIX	
	Dolby D(2ch)	○	○	○	-	○	(<input checked="" type="checkbox"/>) DIGITAL	L,R	MOVIE, HALL, MATRIX	
	Dolby D(2ch Surr)	○	○	○	-	○	(<input checked="" type="checkbox"/>) DIGITAL, (<input checked="" type="checkbox"/>) SURROUND	L,R,S	MOVIE, HALL, MATRIX	
	PCM(Audio)	○	○	○	-	○	PCM	L,R	MOVIE, HALL, MATRIX	
	PCM 96kHz	-	-	-	-	-	PCM, (96kHz)	-	MOVIE, HALL, MATRIX	
Analog	○	○	○	-	○	ANALOG	-	MOVIE, HALL, MATRIX		

Note: DOLBY-D(2ch Surr)signals have Dolby Surround flag.
SPKRS setup is full THX system (8ch Speakers).

L/R : Front speaker
SL/SR : Surround speaker
SB : Surround back speaker
C : Center speaker
SubW : Sub woofer speaker

PL: The PRO LOGIC indicator lights
PLII: The PRO LOGIC II indicator lights
(): The indicator blinks

PS9200

Surround Mode	Input Signal	Output Channel					Front information display			
		L/R	C	SL SR	SBL SBR	SubW	Signal format indicators	Channel status	Dot matrix display	Segments
AUTO	Dolby D Surr. EX	○	○	○	○	○	ⓧ DIGITAL	L,C,R,SL,SR,S,LFE	THX SUR EX	AUTO SURR
	DTS-ES	○	○	○	○	○	ⓧ dts , ES	L,C,R,SL,SR,S,LFE	DTS ES	AUTO SURR
	Dolby D (5.1ch)	○	○	○	-	○	ⓧ DIGITAL	L,C,R,SL,SR,LFE	DOLBY D	AUTO SURR
	DTS(5.1ch)	○	○	○	-	○	ⓧ dts	L,C,R,SL,SR,LFE	DTS Cinema	AUTO SURR
	AAC(5.1ch)	○	○	○	-	○	AAC	L,C,R,SL,SR,LFE	AAC	AUTO SURR
	Dolby D(2ch)	○	-	-	-	○	ⓧ DIGITAL	L,R	DOLBY D	AUTO SURR, PLII, MOVIE
	Dolby D(2ch Surr)	○	○	○	-	○	ⓧ DIGITAL, ⓧ SURROUND	L,R,S	DOLBY PL2	AUTO SURR
	AAC(2ch)	○	-	-	-	○	AAC	L,R	AAC	AUTO SURR
	PCM(Audio)	○	-	-	-	○	PCM	L,R	STEREO	AUTO SURR
	PCM 96kHz	○	-	-	-	○	PCM, 96kHz	L,R	STEREO	AUTO SURR
	HDCD	○	-	-	-	○	PCM, HDCD	L,R	STEREO	AUTO SURR
	Analog	○	-	-	-	○	ANALOG	-	STEREO	AUTO SURR
	S-DIRECT	Dolby D Surr. EX	○	○	○	○	○	ⓧ DIGITAL	L,C,R,SL,SR,S,LFE	S-DIRECT
DTS-ES		○	○	○	○	○	ⓧ dts , ES	L,C,R,SL,SR,S,LFE	S-DIRECT	AUTO SURR
Dolby D (5.1ch)		○	○	○	-	○	ⓧ DIGITAL	L,C,R,SL,SR,LFE	S-DIRECT	AUTO SURR
DTS(5.1ch)		○	○	○	-	○	ⓧ dts	L,C,R,SL,SR,LFE	S-DIRECT	AUTO SURR
AAC(5.1ch)		○	○	○	-	○	AAC	L,C,R,SL,SR,LFE	S-DIRECT	AUTO SURR
Dolby D(2ch)		○	-	-	-	-	ⓧ DIGITAL	L,R	S-DIRECT	AUTO SURR
Dolby D(2ch Surr)		○	○	○	-	-	ⓧ DIGITAL, ⓧ SURROUND	L,R,S	S-DIRECT	AUTO SURR
AAC(2ch)		○	-	-	-	-	AAC	L,R	S-DIRECT	AUTO SURR
PCM(Audio)		○	-	-	-	-	PCM	L,R	S-DIRECT	AUTO SURR
PCM 96kHz		○	-	-	-	-	PCM, 96kHz	L,R	S-DIRECT	AUTO SURR
HDCD		○	-	-	-	-	PCM, HDCD	L,R	S-DIRECT	AUTO SURR
Analog		○	-	-	-	-	ANALOG	-	S-DIRECT	AUTO SURR
DTS cinema/music		Dolby D Surr. EX	-	-	-	-	-	(ⓧ DIGITAL)	-	(NO DTS INPUT)
	DTS-ES	○	○	○	-	○	ⓧ dts , ES	L,C,R,SL,SR,S,LFE	DTS CINEMA or DTS MUSIC	
	Dolby D (5.1ch)	-	-	-	-	-	(ⓧ DIGITAL)	-	(NO DTS INPUT)	
	DTS(5.1ch)	○	○	○	-	○	ⓧ dts	L,C,R,SL,SR,LFE	DTS CINEMA or DTS MUSIC	
	AAC(5.1ch)	-	-	-	-	-	(AAC)	-	(NO DTS INPUT)	
	Dolby D(2ch)	-	-	-	-	-	(ⓧ DIGITAL, ⓧ SURROUND)	-	(NO DTS INPUT)	
	Dolby D(2ch Surr)	-	-	-	-	-	(ⓧ DIGITAL, ⓧ SURROUND)	-	(NO DTS INPUT)	
	AAC(2ch)	-	-	-	-	-	(AAC)	-	(NO DTS INPUT)	
	PCM(Audio)	-	-	-	-	-	(PCM)	-	(NO DTS INPUT)	
	PCM 96kHz	-	-	-	-	-	(PCM, (96kHz))	-	(NO DTS INPUT)	
	HDCD	-	-	-	-	-	(PCM)	-	(NO DTS INPUT)	
	Analog	-	-	-	-	-	(ANALOG)	-	(NO DTS INPUT)	
	DTS ES	Dolby D Surr. EX	-	-	-	-	-	(ⓧ DIGITAL)	-	(NO DTS INPUT)
DTS-ES		○	○	○	○	○	ⓧ dts , ES	L,C,R,SL,SR,S,LFE	DTS ES	Disc6.1
Dolby D (5.1ch)		-	-	-	-	-	(ⓧ DIGITAL)	-	(NO DTS INPUT)	
DTS(5.1ch)		○	○	○	○	○	ⓧ dts	L,C,R,SL,SR,LFE	DTS ES	Mtx 6.1
AAC(5.1ch)		-	-	-	-	-	(AAC)	-	(NO DTS INPUT)	
Dolby D(2ch)		-	-	-	-	-	(ⓧ DIGITAL, ⓧ SURROUND)	-	(NO DTS INPUT)	
Dolby D(2ch Surr)		-	-	-	-	-	(ⓧ DIGITAL, ⓧ SURROUND)	-	(NO DTS INPUT)	
AAC(2ch)		-	-	-	-	-	(AAC)	-	(NO DTS INPUT)	
PCM(Audio)		-	-	-	-	-	(PCM)	-	(NO DTS INPUT)	
PCM 96kHz		-	-	-	-	-	(PCM, (96kHz))	-	(NO DTS INPUT)	
HDCD		-	-	-	-	-	(PCM)	-	(NO DTS INPUT)	
Analog		-	-	-	-	-	(ANALOG)	-	(NO DTS INPUT)	
Neo6 cinema/music		Dolby D Surr. EX	○	○	○	-	○	ⓧ DIGITAL	L,C,R,SL,SR,S,LFE	DOLBY D
	DTS-ES	○	○	○	○	○	ⓧ dts ES	L,C,R,SL,SR,S,LFE	DTS ES	Disc6.1
	Dolby D (5.1ch)	○	○	○	-	○	ⓧ DIGITAL	L,C,R,SL,SR,S,LFE	DOLBY D	
	DTS(5.1ch)	○	○	○	-	○	ⓧ dts	L,C,R,SL,SR,LFE	DTS	Mtx 6.1
	AAC(5.1ch)	-	-	-	-	-	AAC	L,C,R,SL,SR,LFE	AAC	
	Dolby D(2ch)	○	○	○	○	○	ⓧ DIGITAL	L,R	NEO 6	
	Dolby D(2ch Surr)	○	○	○	○	○	ⓧ DIGITAL, ⓧ SURROUND	L,R,S	NEO 6	
	AAC(2ch)	○	○	○	-	○	AAC	L,R	NEO 6	
	PCM(Audio)	○	○	○	-	○	PCM	L,R	NEO 6	
	PCM 96kHz	-	-	-	-	-	PCM, (96kHz)	-	NEO 6	
	HDCD	○	○	○	-	○	PCM	-	NEO 6	
	Analog	○	○	○	-	○	ANALOG	-	NEO 6	
	THX	Dolby D Surr. EX	○	○	○	-	○	ⓧ DIGITAL	L,C,R,SL,SR,S,LFE	THX 5.1
DTS-ES		○	○	○	-	○	ⓧ dts , ES	L,C,R,SL,SR,S,LFE	THX 5.1	
Dolby D (5.1ch)		○	○	○	-	○	ⓧ DIGITAL	L,C,R,SL,SR,LFE	THX 5.1	
DTS(5.1ch)		○	○	○	-	○	ⓧ dts	L,C,R,SL,SR,LFE	THX 5.1	
AAC(5.1ch)		○	○	○	-	○	AAC	L,C,R,SL,SR,LFE	THX 5.1	
Dolby D(2ch)		○	○	○	-	○	ⓧ DIGITAL	L,R	THX CINEMA	PLII, MOVIE
Dolby D(2ch Surr)		○	○	○	-	○	ⓧ DIGITAL, ⓧ SURROUND	L,R,S	THX CINEMA	PLII, MOVIE
AAC(2ch)		○	○	○	-	○	AAC	L,R	THX CINEMA	PLII, MOVIE
PCM(Audio)		○	○	○	-	○	PCM	L,R	THX CINEMA	PLII, MOVIE
PCM 96kHz		-	-	-	-	-	PCM, (96kHz)	L,R	THX CINEMA	PLII, MOVIE
HDCD		○	○	○	-	○	PCM	L,R	THX CINEMA	PLII, MOVIE
Analog		○	○	○	-	○	ANALOG	-	THX CINEMA	PLII, MOVIE
THX EX		Dolby D Surr. EX	○	○	○	○	○	ⓧ DIGITAL	L,C,R,SL,SR,S,LFE	THX SUR EX
	DTS-ES	○	○	○	○	○	ⓧ dts , ES	L,C,R,SL,SR,S,LFE	THX SUR EX	THX Surr EX
	Dolby D (5.1ch)	○	○	○	○	○	ⓧ DIGITAL	L,C,R,SL,SR,LFE	THX SUR EX	THX Surr EX
	DTS(5.1ch)	○	○	○	○	○	ⓧ dts	L,C,R,SL,SR,LFE	THX SUR EX	THX Surr EX
	AAC(5.1ch)	○	○	○	○	○	AAC	L,C,R,SL,SR,LFE	THX SUR EX	THX Surr EX
	Dolby D(2ch)	○	○	○	-	○	ⓧ DIGITAL	L,R	THX CINEMA	THX Surr EX, PLII, MOVIE
	Dolby D(2ch Surr)	○	○	○	-	○	ⓧ DIGITAL, ⓧ SURROUND	L,R,S	THX CINEMA	THX Surr EX, PLII, MOVIE
	AAC(2ch)	○	○	○	-	○	AAC	L,R	THX CINEMA	THX Surr EX, PLII, MOVIE
	PCM(Audio)	○	○	○	-	○	PCM	L,R	THX CINEMA	THX Surr EX, PLII, MOVIE
	PCM 96kHz	-	-	-	-	-	PCM, (96kHz)	L,R	THX CINEMA	THX Surr EX, PLII, MOVIE
	HDCD	○	○	○	-	○	PCM	L,R	THX CINEMA	THX Surr EX, PLII, MOVIE
	Analog	○	○	○	-	○	ANALOG	-	THX CINEMA	THX Surr EX, PLII, MOVIE

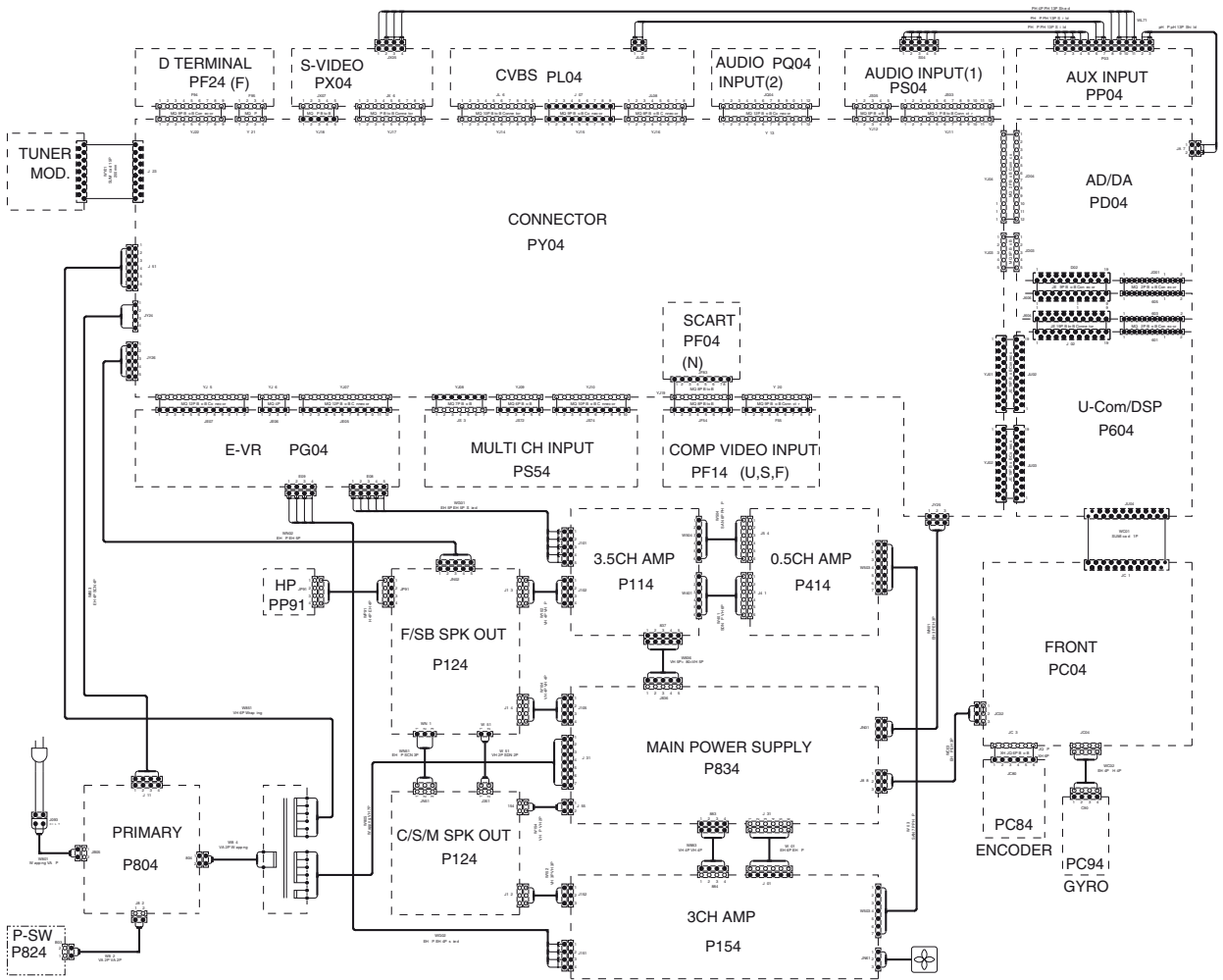
Surround Mode	Input Signal	Output Channel					Signal format indicators	Channel status	Front information display		
		L/R	C	SL SR	SBL SBR	SubW			Dot matrix display	Segments	
DOLBY (PL2-movie) (PL2-music) (PL2-PL)	Dolby D Surr. EX	○	○	○	○	○	DIGITAL	L,C,R,SL,SR,S,LFE	DOLBY D		
	DTS-ES	-	-	-	-	-	(dts , ES)	L,C,R,SL,SR,S,LFE	DOLBY D		
	Dolby D (5.1ch)	○	○	○	-	○	DIGITAL	L,C,R,SL,SR,LFE	DOLBY D		
	DTS(5.1ch)	-	-	-	-	-	(dts)	L,C,R,SL,SR,LFE	DOLBY D		
	AAC(5.1ch)	○	○	○	-	○	AAC	L,C,R,SL,SR,LFE	AAC		
	Dolby D(2ch)	○	○	○	-	○	DIGITAL	L,R	DOLBY PL2		PLII MOVIE or MUSIC or PL
	Dolby D(2ch Surr)	○	○	○	-	○	DIGITAL, SURROUND	L,R,S	DOLBY PL2		PLII MOVIE or MUSIC or PL
	AAC(2ch)	○	○	○	-	○	AAC	L,R	DOLBY PL2		PLII MOVIE or MUSIC or PL
	PCM(Audio)	○	○	○	-	○	PCM	L,R	DOLBY PL2		PLII MOVIE or MUSIC or PL
	PCM 96kHz	-	-	-	-	-	PCM, (96kHz)	L,R	DOLBY D		PLII MOVIE or MUSIC or PL
	HDCD	○	○	○	-	○	PCM	L,R	DOLBY PL2		PLII MOVIE or MUSIC or PL
	Analog	○	○	○	-	○	ANALOG	-	DOLBY PL2		PLII MOVIE or MUSIC or PL
	CS5.1 cinema/music	Dolby D Surr. EX	○	○	○	-	○	(DIGITAL)	L,C,R,SL,SR,S,LFE	DOLBY D	
DTS-ES		○	○	○	-	○	dts , ES	L,C,R,SL,SR,S,LFE	DTS-ES		
Dolby D (5.1ch)		○	○	○	-	○	DIGITAL	L,C,R,SL,SR,LFE	DOLBY D		
DTS(5.1ch)		○	○	○	-	○	dts	L,C,R,SL,SR,LFE	DTS cinema		
AAC(5.1ch)		○	○	○	-	○	AAC	L,C,R,SL,SR,LFE	CS5.1		● MUSIC or CINEMA
Dolby D(2ch)		○	○	○	-	○	DIGITAL	L,R	CS5.1		● MUSIC or CINEMA
Dolby D(2ch Surr)		○	○	○	-	○	DIGITAL, SURROUND	L,R,S	CS5.1		● MUSIC or CINEMA
AAC(2ch)		○	○	○	-	○	AAC	L,R	CS5.1		● MUSIC or CINEMA
PCM(Audio)		○	○	○	-	○	PCM	L,R	CS5.1		● MUSIC or CINEMA
PCM 96kHz		-	-	-	-	-	PCM, (96kHz)	L,R	CS5.1		● MUSIC or CINEMA
HDCD		○	○	○	-	○	PCM	L,R	CS5.1		● MUSIC or CINEMA
Analog		○	○	○	-	○	ANALOG	-	CS5.1		● MUSIC or CINEMA
STEREO		Dolby D Surr. EX	○	-	-	-	○	DIGITAL	L,C,R,SL,SR,S,LFE	STEREO	
	DTS-ES	○	-	-	-	○	dts , ES	L,C,R,SL,SR,S,LFE	STEREO		
	Dolby D (5.1ch)	○	-	-	-	○	DIGITAL	L,C,R,SL,SR,LFE	STEREO		
	DTS(5.1ch)	○	-	-	-	○	dts	L,C,R,SL,SR,LFE	STEREO		
	AAC(5.1ch)	○	-	-	-	○	AAC	L,C,R,SL,SR,LFE	STEREO		
	Dolby D(2ch)	○	-	-	-	○	DIGITAL	L,R	STEREO		
	Dolby D(2ch Surr)	○	-	-	-	○	DIGITAL, SURROUND	L,R,S	STEREO		
	AAC(2ch)	○	-	-	-	○	AAC	L,R	STEREO		
	PCM(Audio)	○	-	-	-	○	PCM	L,R	STEREO		
	PCM 96kHz	○	-	-	-	○	PCM, 96kHz	L,R	STEREO		
	HDCD	○	-	-	-	○	PCM, HDCD	L,R	STEREO		
	Analog	○	-	-	-	○	ANALOG	-	STEREO		
	Virtual	Dolby D Surr. EX	○	-	-	-	○	DIGITAL	L,C,R,SL,SR,S,LFE	VIRTUAL	
DTS-ES		○	-	-	-	○	dts , ES	L,C,R,SL,SR,S,LFE	VIRTUAL		
Dolby D (5.1ch)		○	-	-	-	○	DIGITAL	L,C,R,SL,SR,LFE	VIRTUAL		
DTS(5.1ch)		○	-	-	-	○	dts	L,C,R,SL,SR,LFE	VIRTUAL		
AAC(5.1ch)		○	-	-	-	○	AAC	L,C,R,SL,SR,LFE	VIRTUAL		
Dolby D(2ch)		○	-	-	-	○	DIGITAL	L,R	VIRTUAL		
Dolby D(2ch Surr)		○	-	-	-	○	DIGITAL, SURROUND	L,R,S	VIRTUAL		
AAC(2ch)		○	-	-	-	○	AAC	L,R	VIRTUAL		
PCM(Audio)		○	-	-	-	○	PCM	L,R	VIRTUAL		
PCM 96kHz		-	-	-	-	-	PCM, (96kHz)	L,R	VIRTUAL		
HDCD		○	-	-	-	○	PCM	L,R	VIRTUAL		
Analog		○	-	-	-	○	ANALOG	-	VIRTUAL		
Multi Ch. Stereo		Dolby D Surr. EX	○	○	○	○	○	DIGITAL	L,C,R,SL,SR,S,LFE	M-CH ST	
	DTS-ES	○	○	○	○	○	dts , ES	L,C,R,SL,SR,S,LFE	M-CH ST		
	Dolby D (5.1ch)	○	○	○	○	○	DIGITAL	L,C,R,SL,SR,LFE	M-CH ST		
	DTS(5.1ch)	○	○	○	○	○	dts	L,C,R,SL,SR,LFE	M-CH ST		
	AAC(5.1ch)	○	○	○	○	○	AAC	L,C,R,SL,SR,LFE	M-CH ST		
	Dolby D(2ch)	○	○	○	○	○	DIGITAL	L,R	M-CH ST		
	Dolby D(2ch Surr)	○	○	○	○	○	DIGITAL, SURROUND	L,R,S	M-CH ST		
	AAC(2ch)	○	○	○	○	○	AAC	L,R	M-CH ST		
	PCM(Audio)	○	○	○	○	○	PCM	L,R	M-CH ST		
	PCM 96kHz	-	-	-	-	-	PCM, (96kHz)	L,R	M-CH ST		
	HDCD	○	○	○	○	○	PCM	L,R	M-CH ST		
	Analog	○	○	○	○	○	ANALOG	-	M-CH ST		
	MOVIE HALL MATRIX	Dolby D Surr. EX	○	○	○	-	○	DIGITAL	L,C,R,SL,SR,S,LFE	MOVIE, HALL, MATRIX	
DTS-ES		○	○	○	-	○	dts , ES	L,C,R,SL,SR,S,LFE	MOVIE, HALL, MATRIX		
Dolby D (5.1ch)		○	○	○	-	○	DIGITAL	L,C,R,SL,SR,LFE	MOVIE, HALL, MATRIX		
DTS(5.1ch)		○	○	○	-	○	dts	L,C,R,SL,SR,LFE	MOVIE, HALL, MATRIX		
AAC(5.1ch)		○	○	○	-	○	AAC	L,C,R,SL,SR,LFE	MOVIE, HALL, MATRIX		
Dolby D(2ch)		○	○	○	-	○	DIGITAL	L,R	MOVIE, HALL, MATRIX		
Dolby D(2ch Surr)		○	○	○	-	○	DIGITAL, SURROUND	L,R,S	MOVIE, HALL, MATRIX		
AAC(2ch)		○	○	○	-	○	AAC	L,R	MOVIE, HALL, MATRIX		
PCM(Audio)		○	○	○	-	○	PCM	L,R	MOVIE, HALL, MATRIX		
PCM 96kHz		-	-	-	-	-	PCM, (96kHz)	L,R	MOVIE, HALL, MATRIX		
HDCD		○	○	○	-	○	PCM	L,R	MOVIE, HALL, MATRIX		
Analog		○	○	○	-	○	ANALOG	-	MOVIE, HALL, MATRIX		

Remark : Bass signal output from Sub Woofer terminal for SR9200 / SR8200 / PS9200.

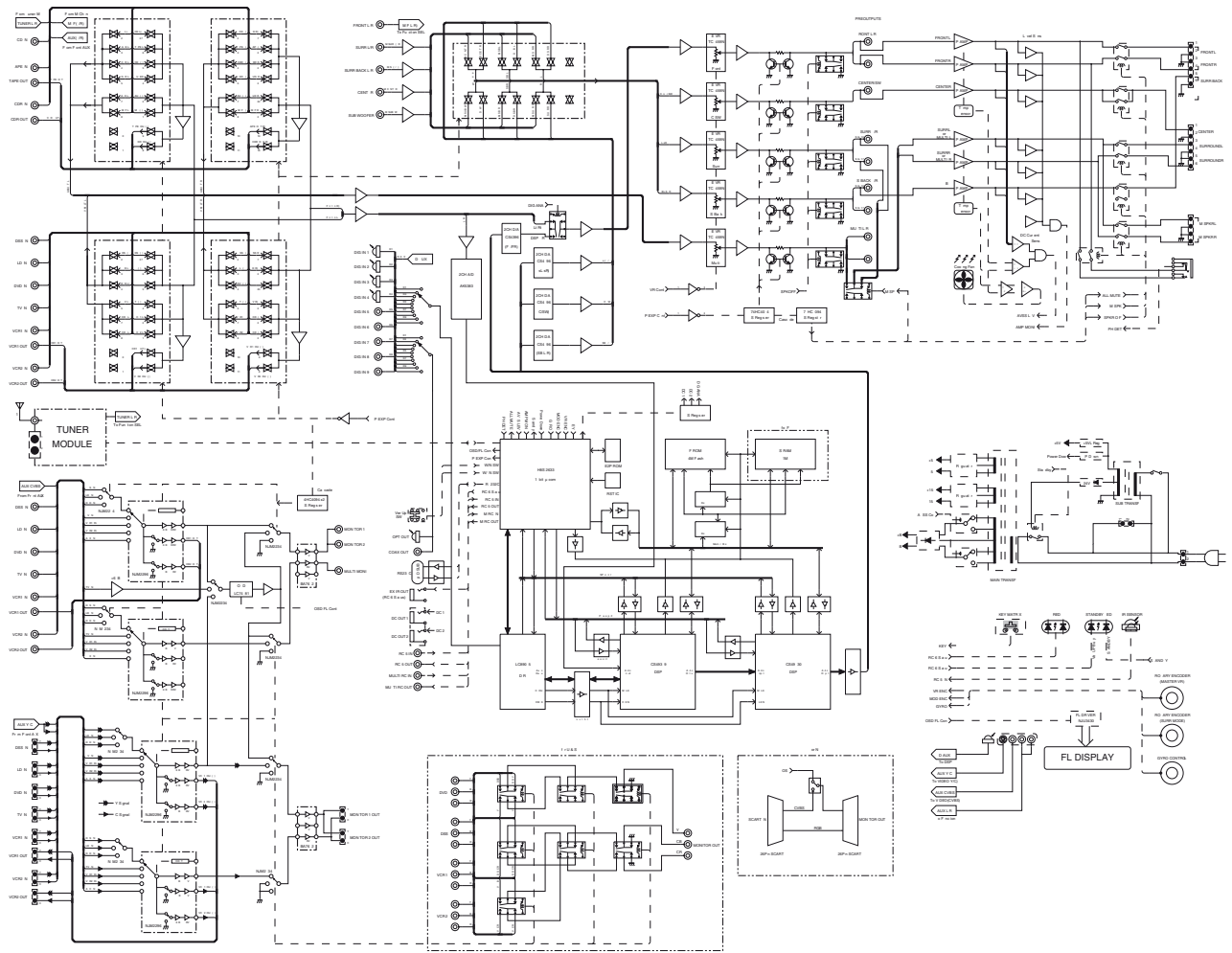
Sub woofer output is not active while all surround modes. Please refer to the following table.

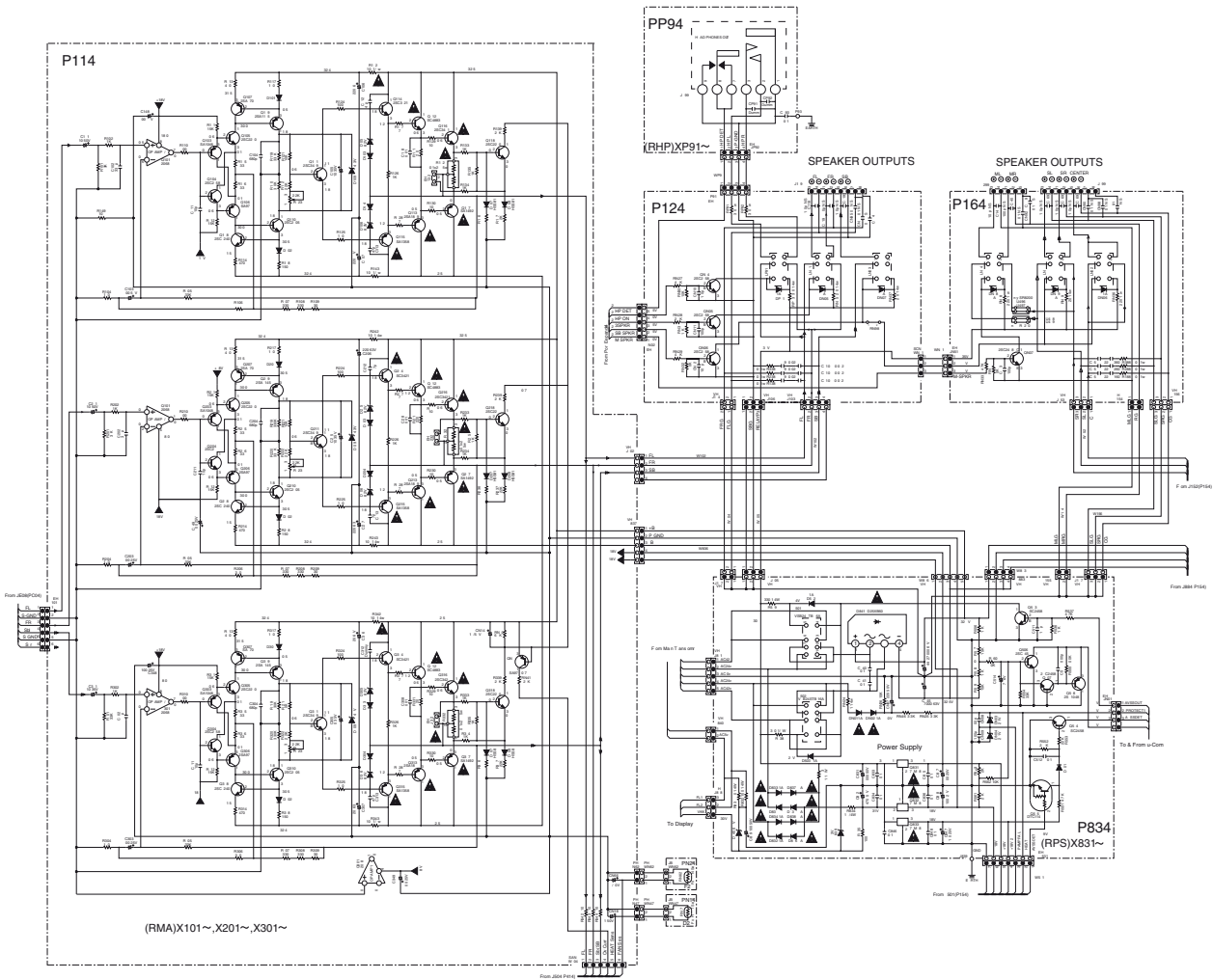
SPK setup					ZR39601	SubWoofer Output by Surround mode							
Sub Woofer ON	Front	Center	Surr. L/R	Surr. B (L/R)	Bass CFG #	THX Surr EX, DTS ES	THX5.1, Dolby-D, DTS	PL2, CS, Neo6	Stereo	AUTO (PCM, Ana) AUTO(AC-3,DTS)	(AC-3:2ch, karaoke)		
ON	Large	Large	Large	Large	1	LFE	LFE	none	L+R	LFE	L+R		
			Small	Small	14	LFE+Sb	LFE						
			Small	Large	3	LFE+SL+SR	LFE+SL+SR	none	L+R	LFE+SL+SR	L+R		
			Small	Small	16	LFE+SL+SR+Sb	LFE+SL+SR						
			None	(prohibit)	1	LFE	LFE	none	L+R	LFE	L+R		
			Large	Large	5	LFE+C	LFE+C	C	L+R	LFE+C	L+R		
		Small	Small	Small	18	LFE+C+Sb	LFE+C						
			Small	Large	8	LFE+C+SL+SR	LFE+C+SL+SR	C	L+R	LFE+C+SL+SR	L+R		
			Small	Small	21	LFE+C+SL+SR+Sb	LFE+C+SL+SR						
			None	(prohibit)	5	LFE+C	LFE+C	C	L+R	LFE+C	L+R		
			Large	Large	1	LFE	LFE	none	L+R	LFE	L+R		
			Small	Small	14	LFE+Sb	LFE						
	Small	Large	None	Small	Large	3	LFE+SL+SR	LFE+SL+SR	none	L+R	LFE+SL+SR	L+R	
				Small	Small	16	LFE+SL+SR+Sb	LFE+SL+SR					
				None	(prohibit)	1	LFE	LFE	none	L+R	LFE	L+R	
			Large	Large	Large	12	LFE+L+R	LFE+L+R	L+R	L+R	LFE+L+R	L+R	
				Small	Small	25	LFE+L+R+Sb	LFE+L+R					
				Small	Large	11	LFE+L+R+SL+SR	LFE+L+R+SL+SR	L+R	L+R	LFE+L+R+SL+SR	L+R	
		Small	None	Small	Small	24	LFE+L+R+SL+SR+Sb	LFE+L+R+SL+SR					
				None	(prohibit)	12	LFE+L+R	LFE+L+R	L+R	L+R	LFE+L+R	L+R	
				Large	Large	10	LFE+L+R+C	LFE+L+R+C	L+R+C	L+R	LFE+L+R+C	L+R	
			Large	Small	Small	23	LFE+L+R+C+Sb						
				Small	Large	0	LFE+L+R+C+SL+SR	LFE+L+R+C+SL+SR	L+R+C	L+R	LFE+L+R+C+SL+SR	L+R	
				Small	Small	13	LFE+L+R+C+SL+SR+Sb						
	None	Large	None	(prohibit)	10	LFE+L+R+C	LFE+L+R+C	L+R+C	L+R	LFE+L+R+C	L+R		
			Large	Large	12	LFE+L+R	LFE+L+R	L+R	L+R	LFE+L+R	L+R		
			Small	Small	25	LFE+L+R+Sb							
		Small	Large	Large	11	LFE+SL+SR	LFE+SL+SR	L+R	L+R	LFE+SL+SR	L+R		
			Small	Small	24	LFE+SL+SR+Sb							
			None	(prohibit)	12	LFE+L+R	LFE+L+R	L+R	L+R	LFE+L+R	L+R		
	OFF					No output to subW							

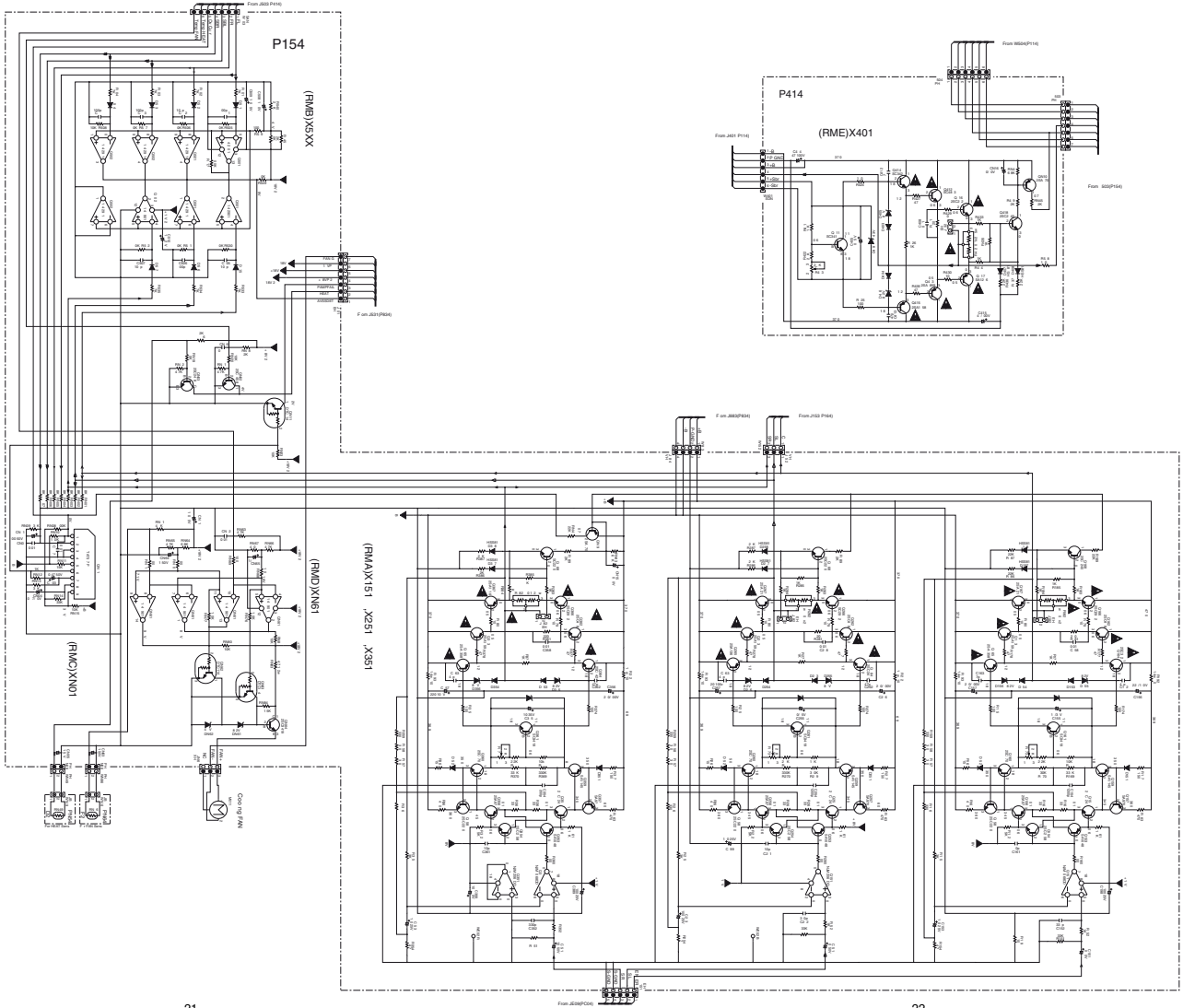
2. WIRING DIAGRAM

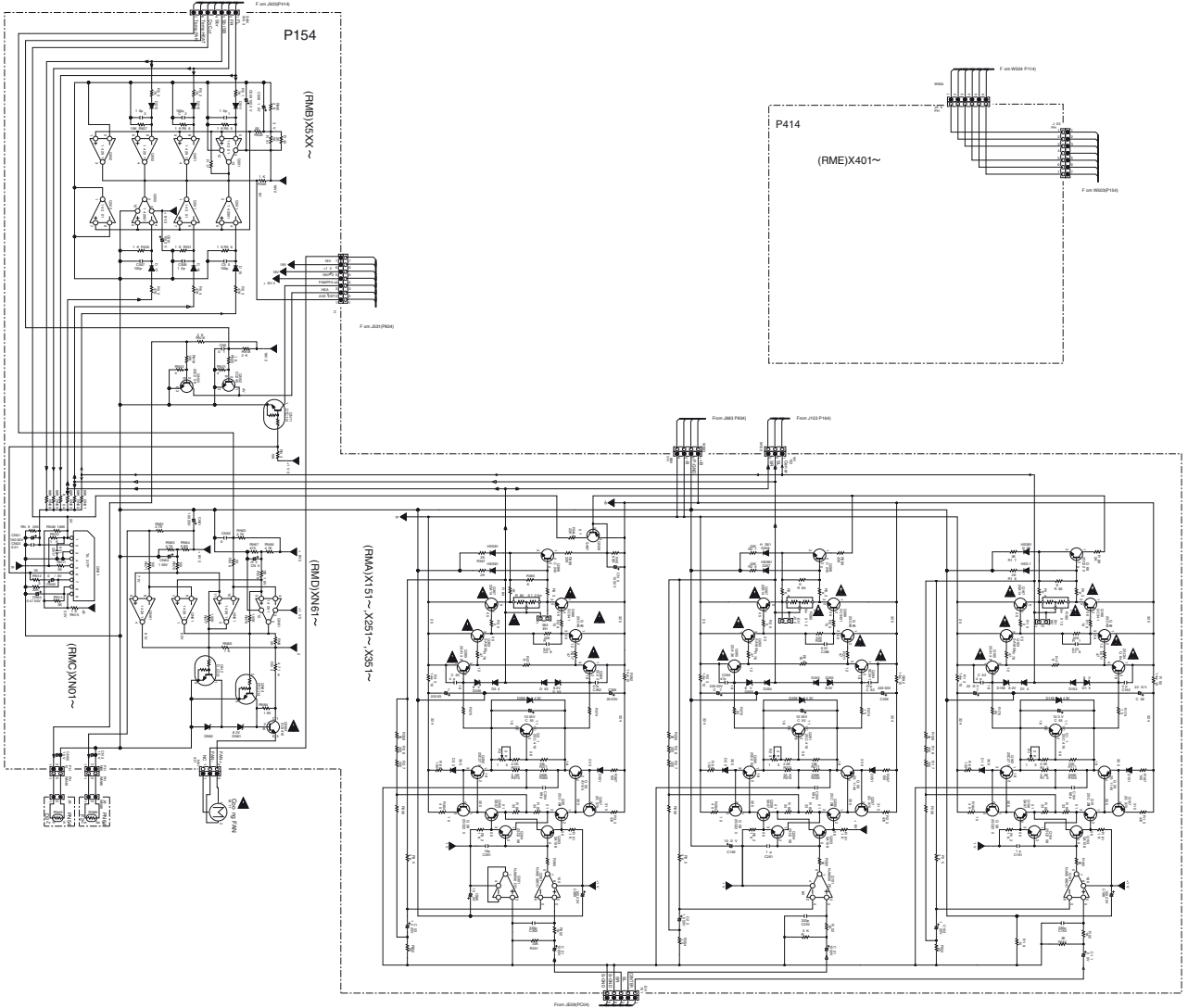


SR8200



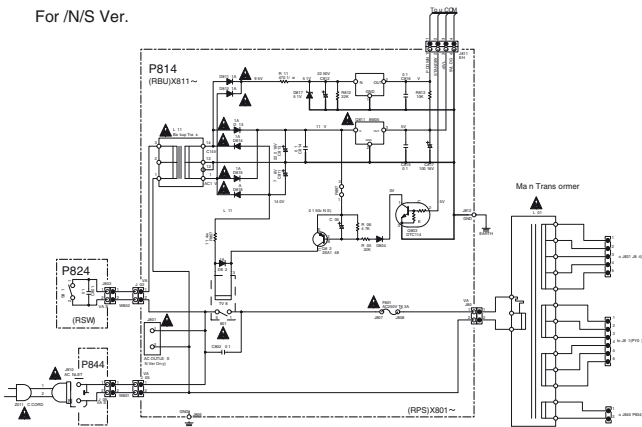




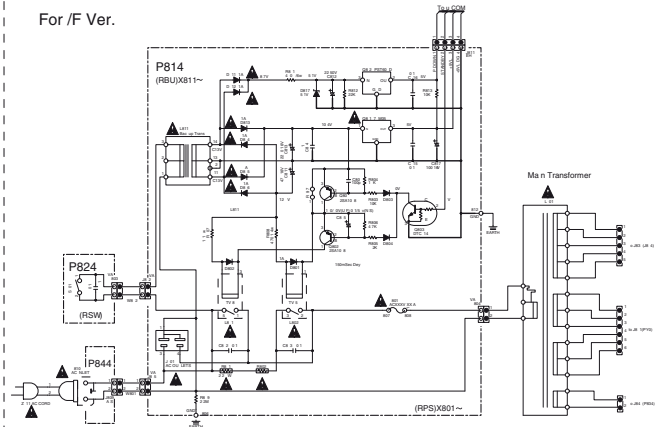


SR9200 / PS9200

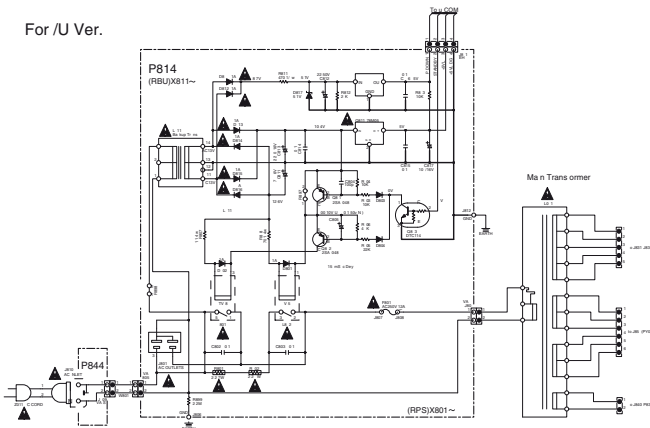
For /N/S Ver.



For /F Ver.

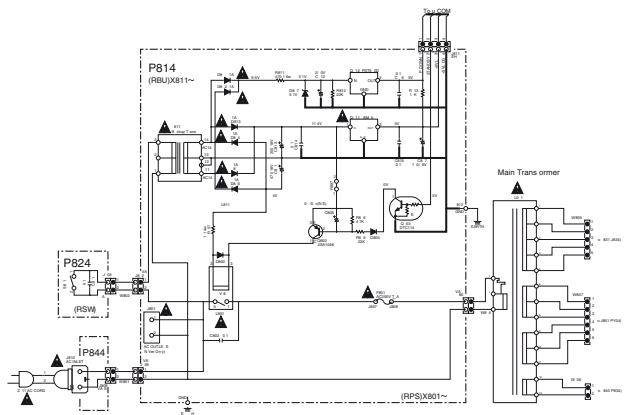


For /U Ver.

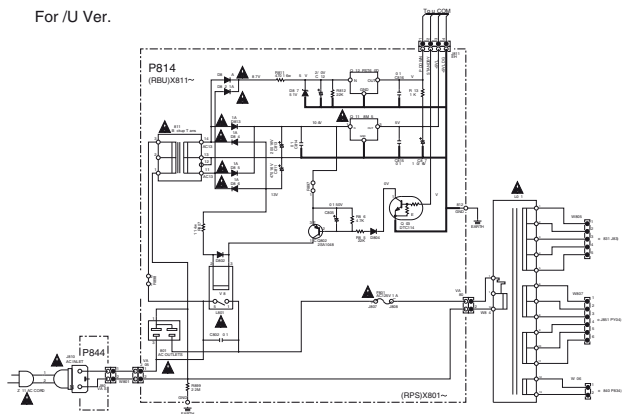


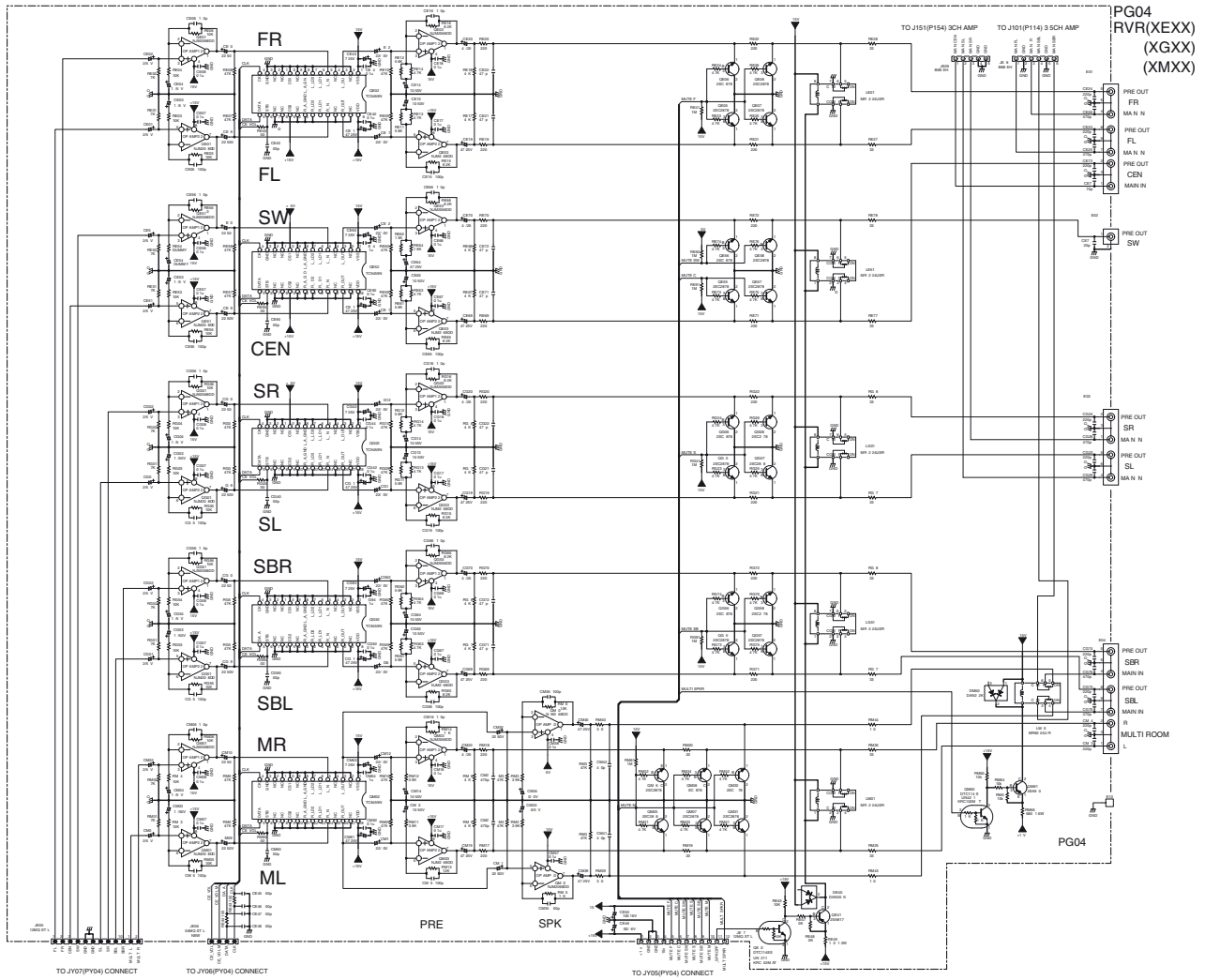
SR8200

For /N/S Ver.

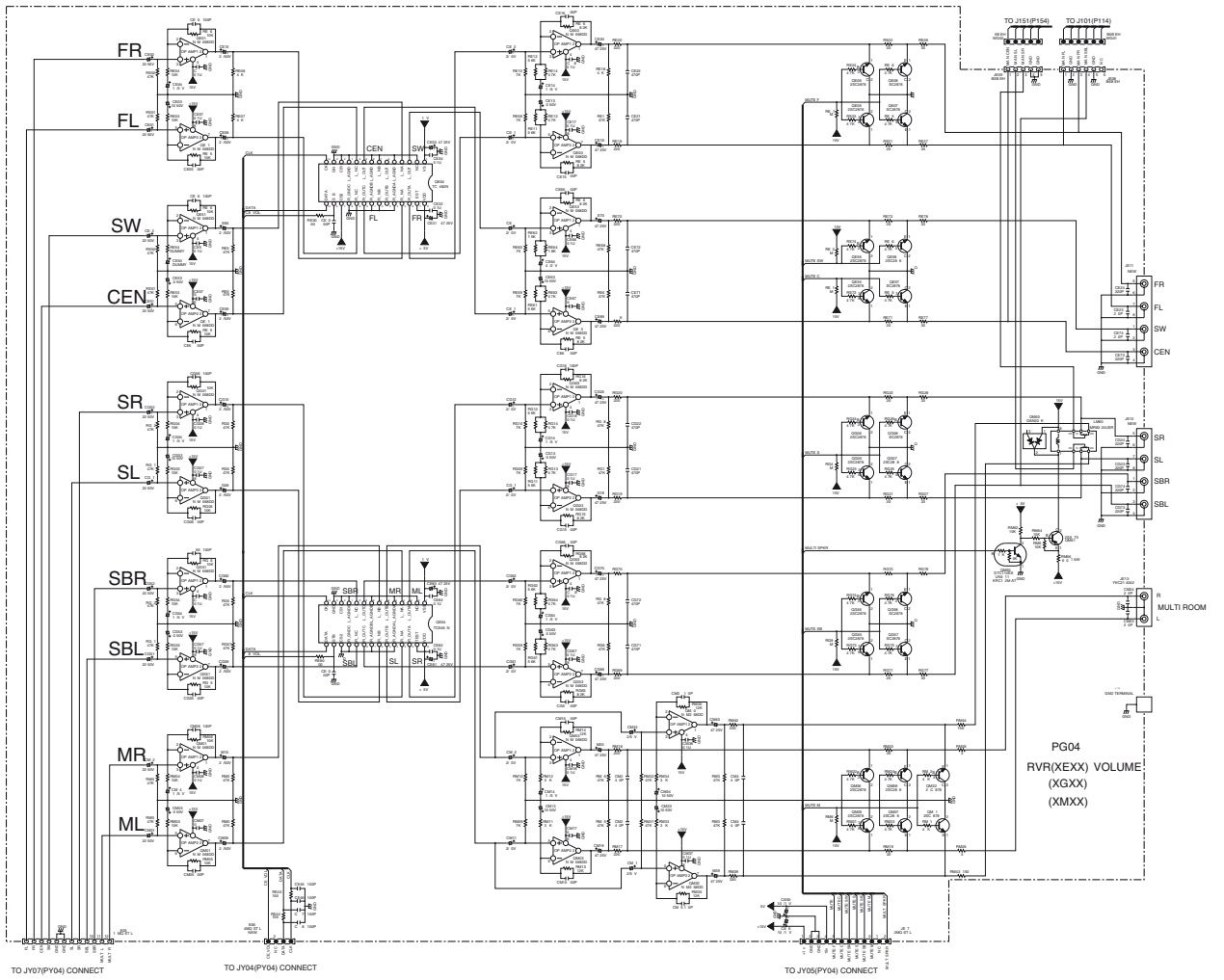


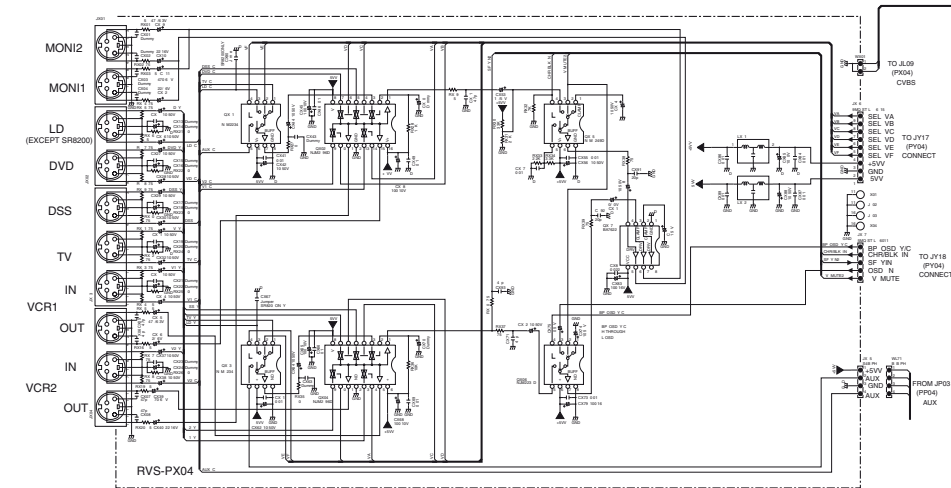
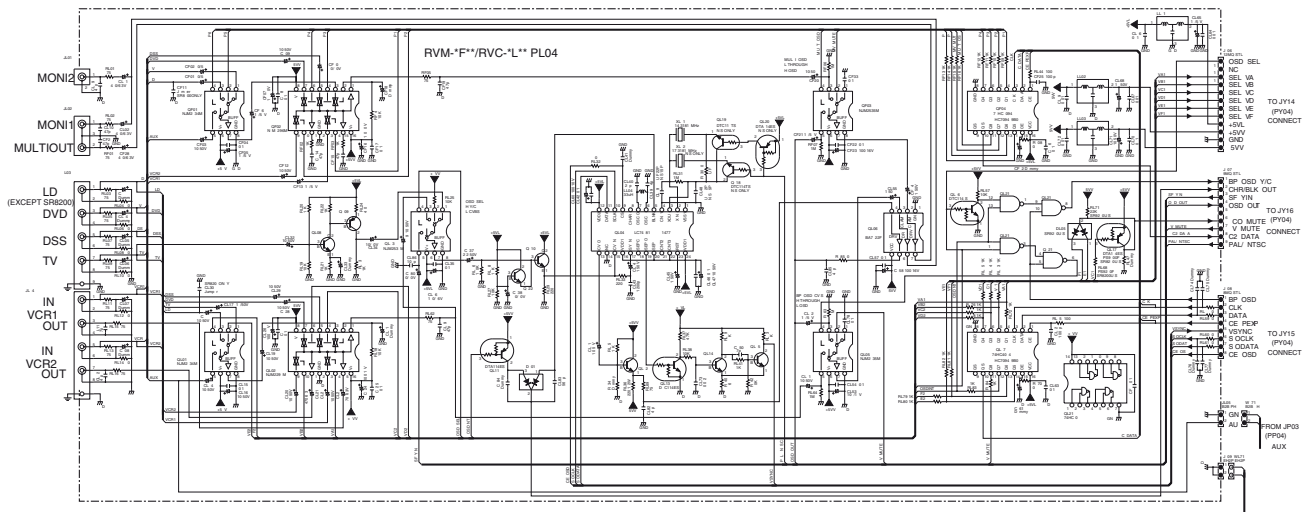
For /U Ver.

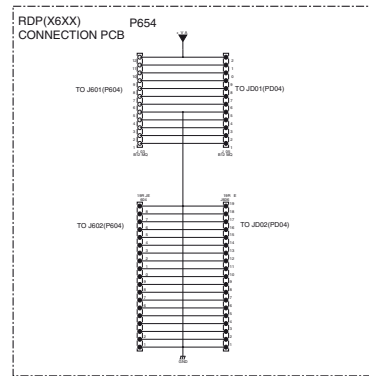
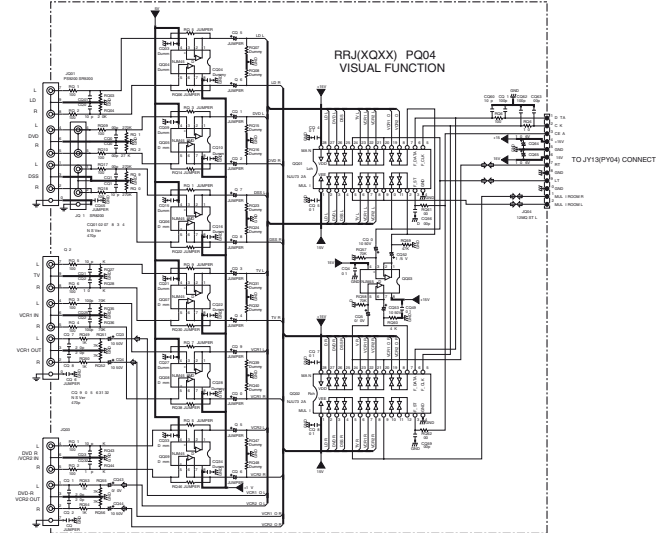
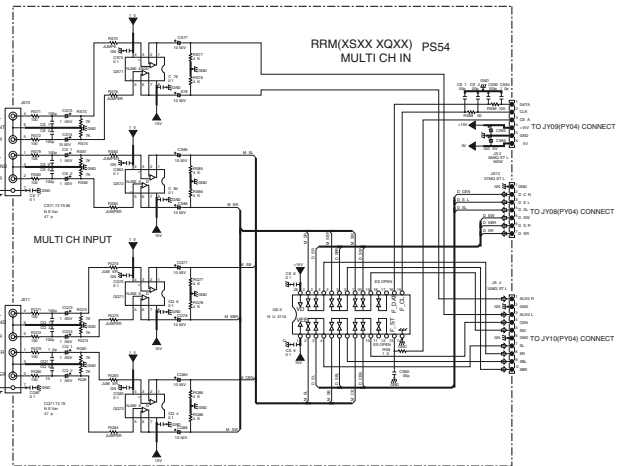
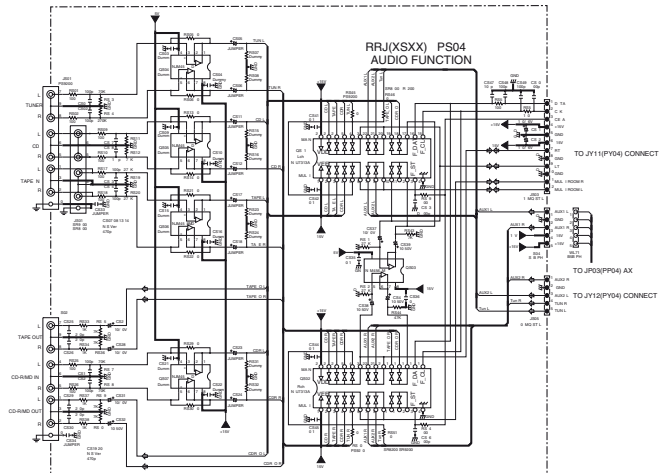


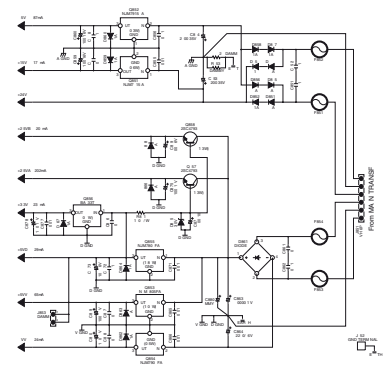
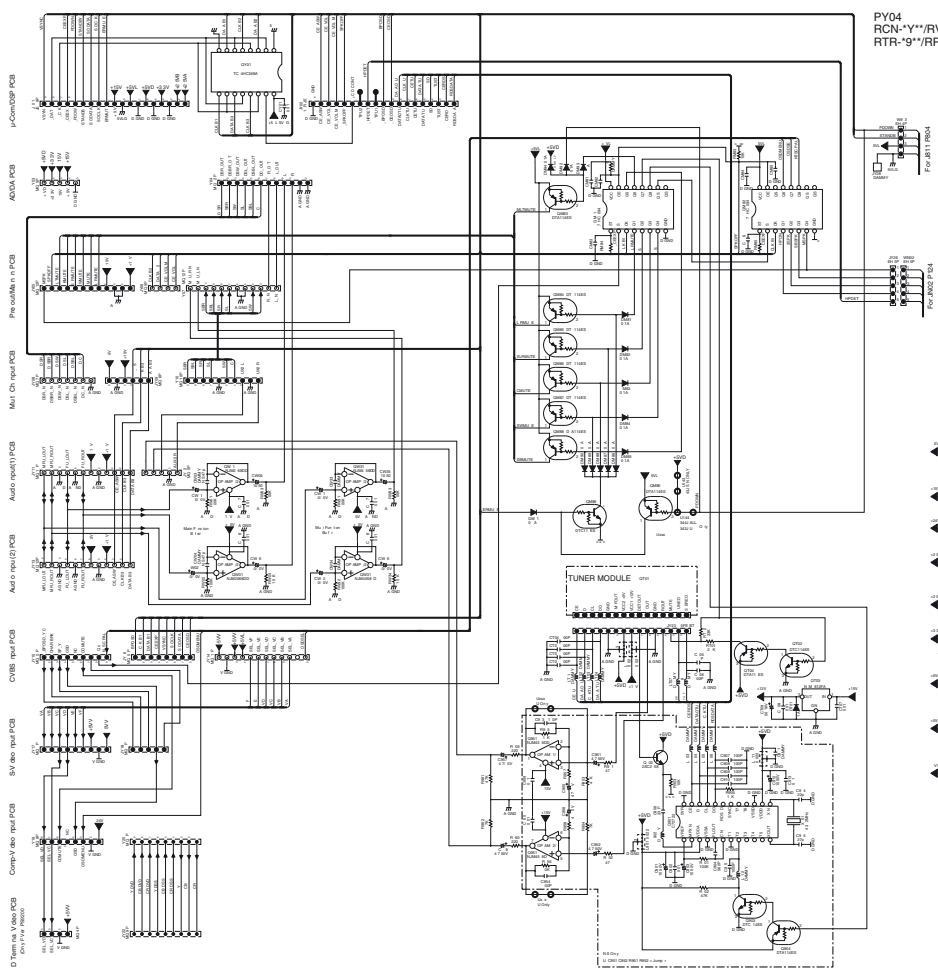


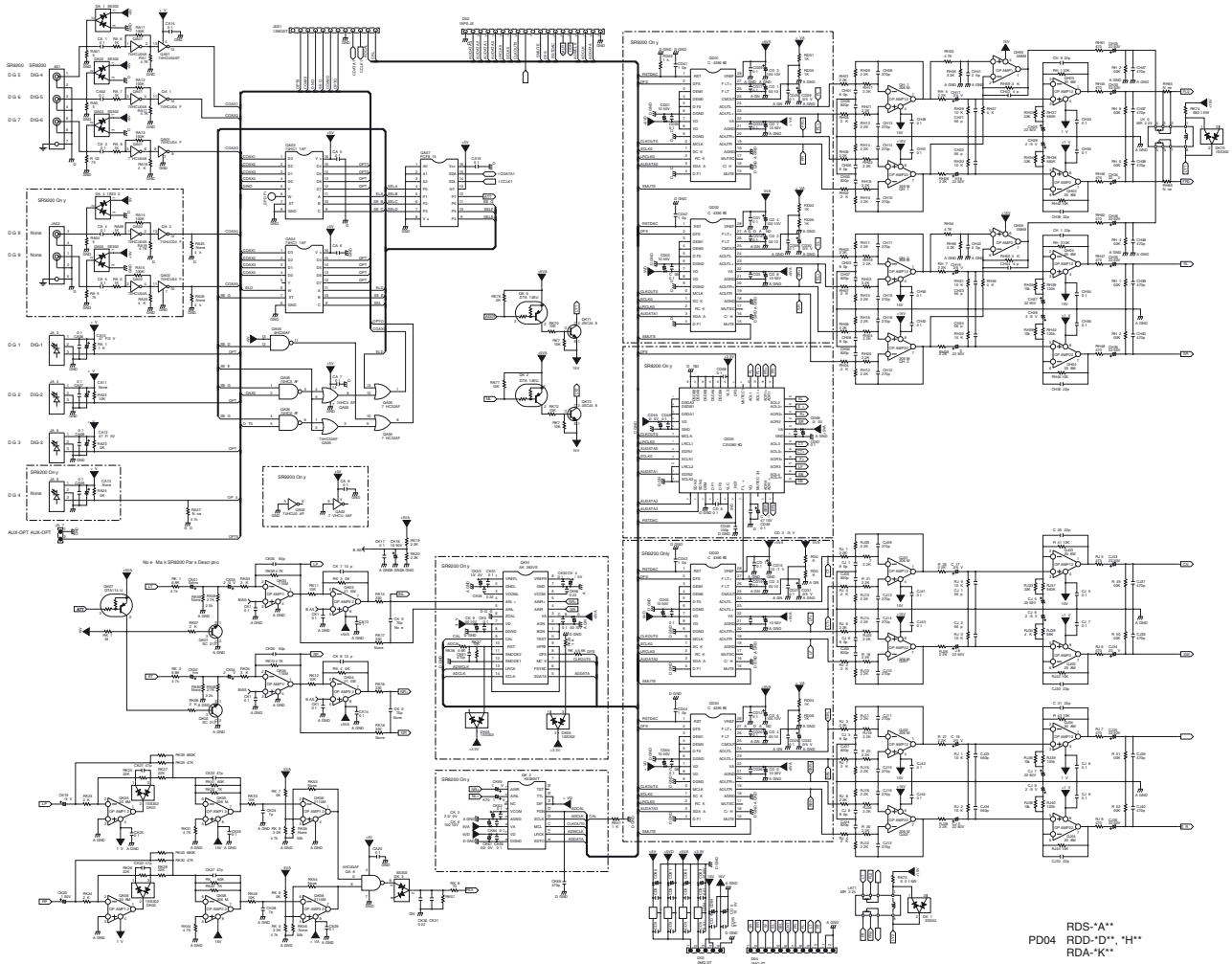
SR8200

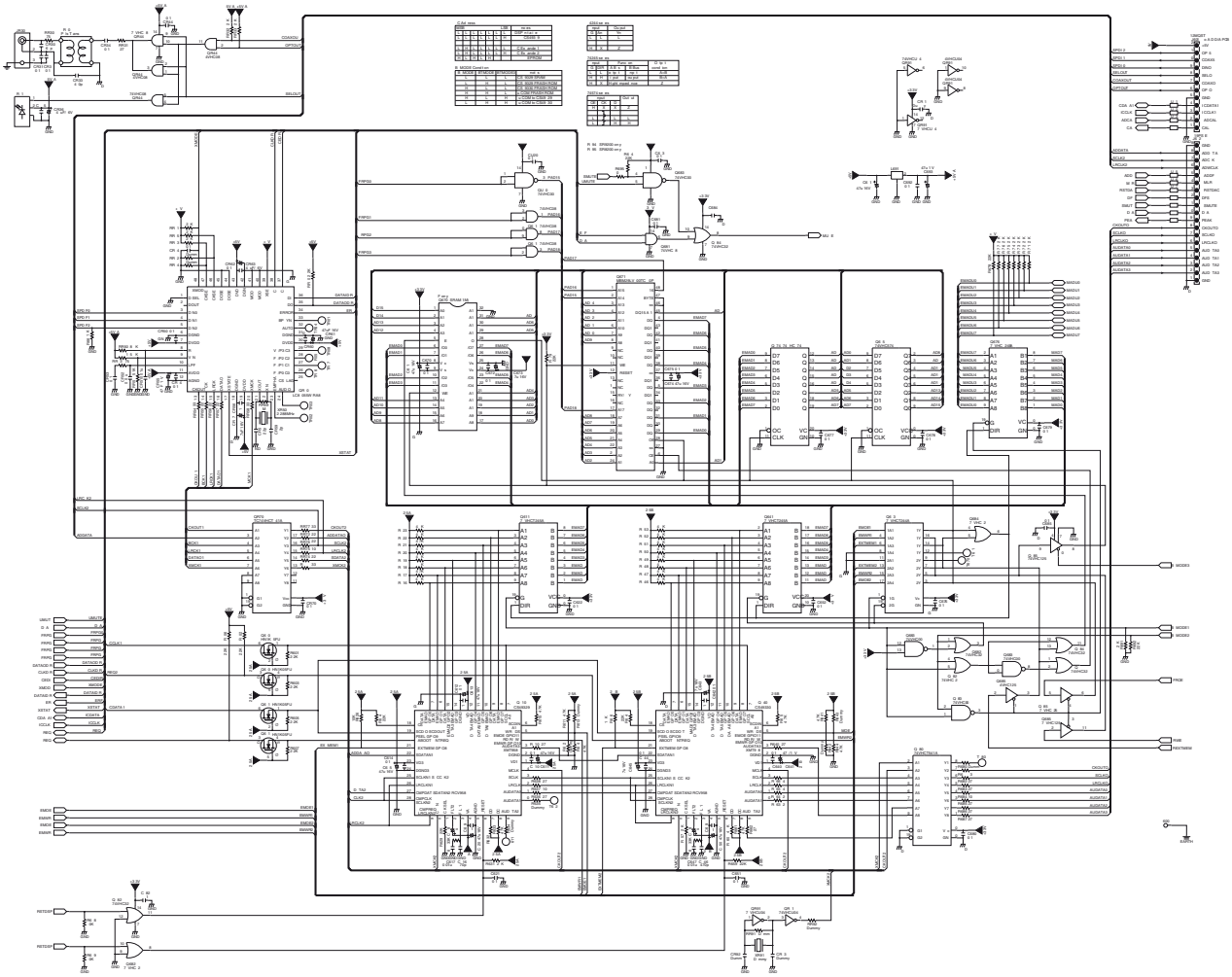




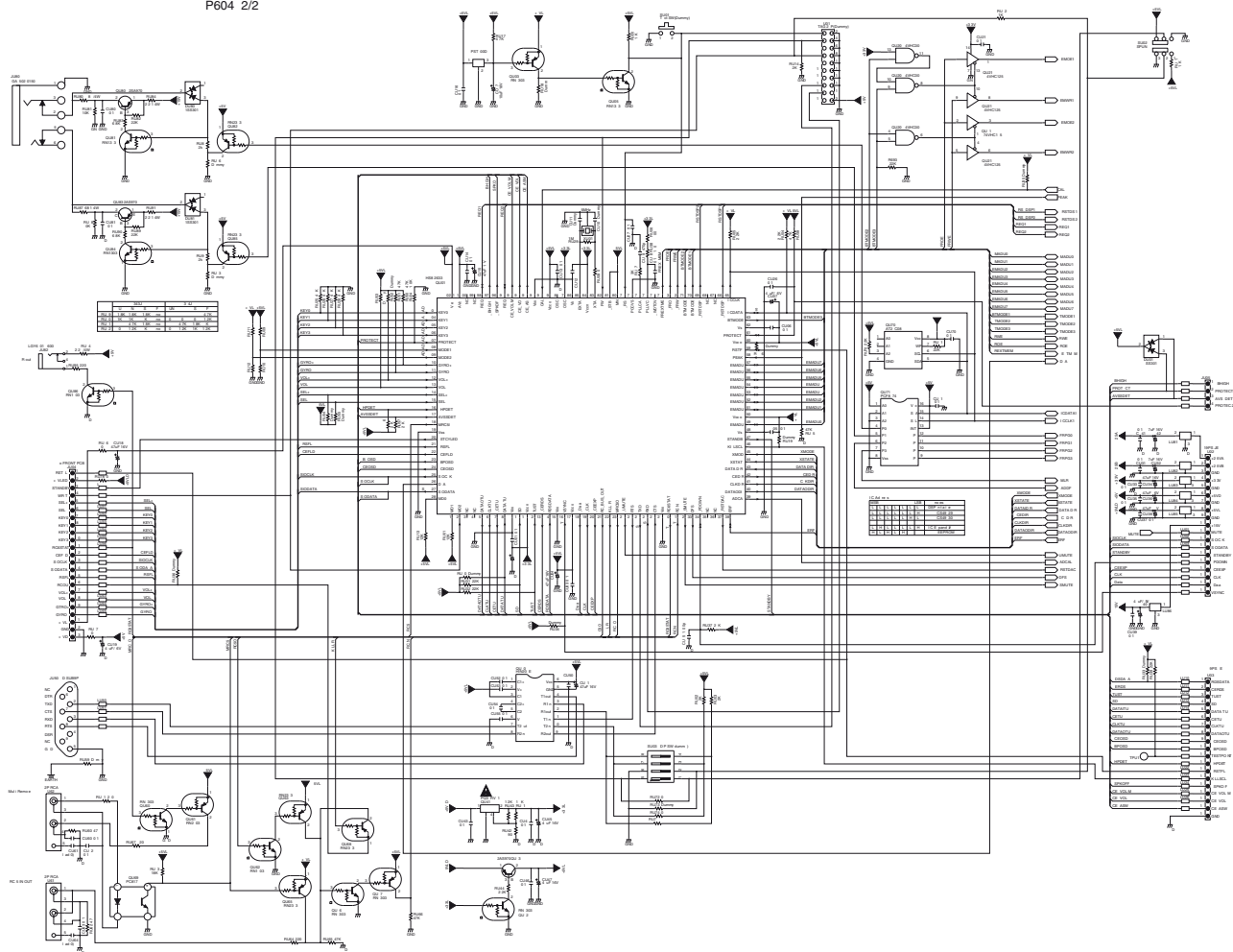






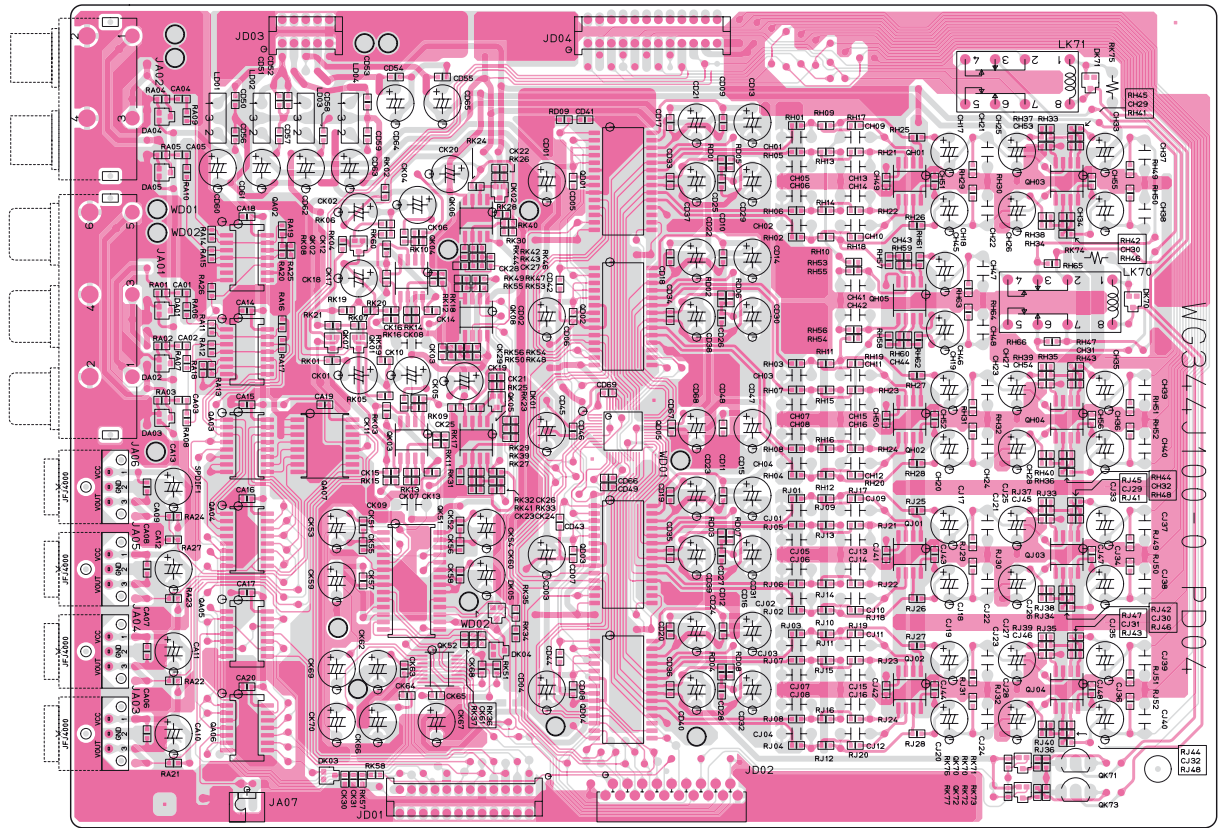


P604 2/2



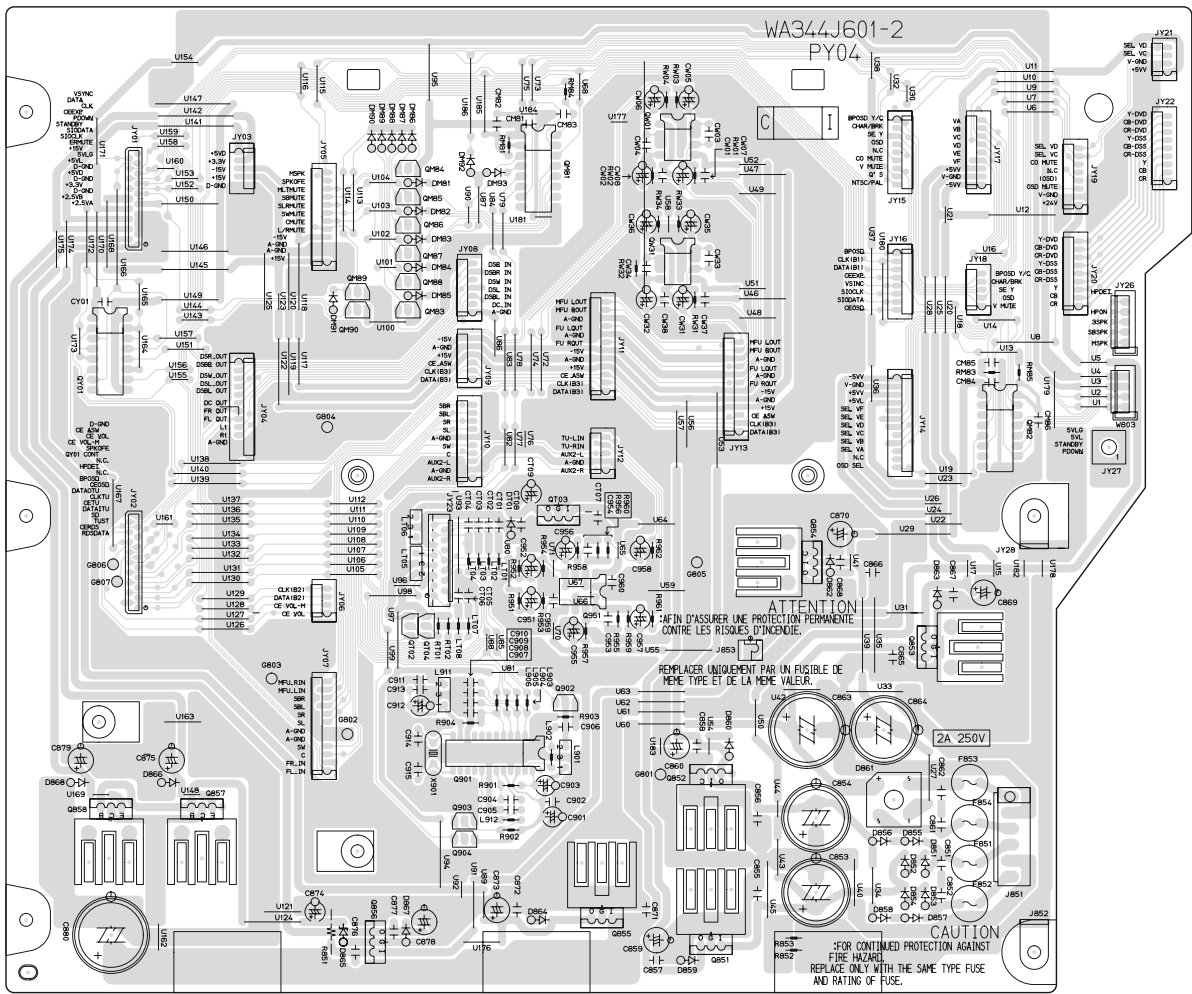
PD04

DA01 - DA04	QA01 - QA06	QK01	QK02	QK03	QK04	QK05	QK06	QK07	QK08	QK51	QK52	DK01	DK02	DK03	DK04	DK05	DK06	DK07	DK08	DK09	DK10	DK11	DK12	DK13	DK14	DK15	DK16	DK17	DK18	DK19	DK20	DK21	DK22	DK23	DK24	DK25	DK26	DK27	DK28	DK29	DK30	DK31	DK32	DK33	DK34	DK35	DK36	DK37	DK38	DK39	DK40	DK41	DK42	DK43	DK44	DK45	DK46	DK47	DK48	DK49	DK50	DK51	DK52	DK53	DK54	DK55	DK56	DK57	DK58	DK59	DK60	DK61	DK62	DK63	DK64	DK65	DK66	DK67	DK68	DK69	DK70	DK71	DK72	DK73	DK74	DK75	DK76	DK77	DK78	DK79	DK80	DK81	DK82	DK83	DK84	DK85	DK86	DK87	DK88	DK89	DK90	DK91	DK92	DK93	DK94	DK95	DK96	DK97	DK98	DK99	DK100
-------------	-------------	------	------	------	------	------	------	------	------	------	------	------	------	------	------	------	------	------	------	------	------	------	------	------	------	------	------	------	------	------	------	------	------	------	------	------	------	------	------	------	------	------	------	------	------	------	------	------	------	------	------	------	------	------	------	------	------	------	------	------	------	------	------	------	------	------	------	------	------	------	------	------	------	------	------	------	------	------	------	------	------	------	------	------	------	------	------	------	------	------	------	------	------	------	------	------	------	------	------	------	------	------	------	------	------	------	------	------	------	------	-------



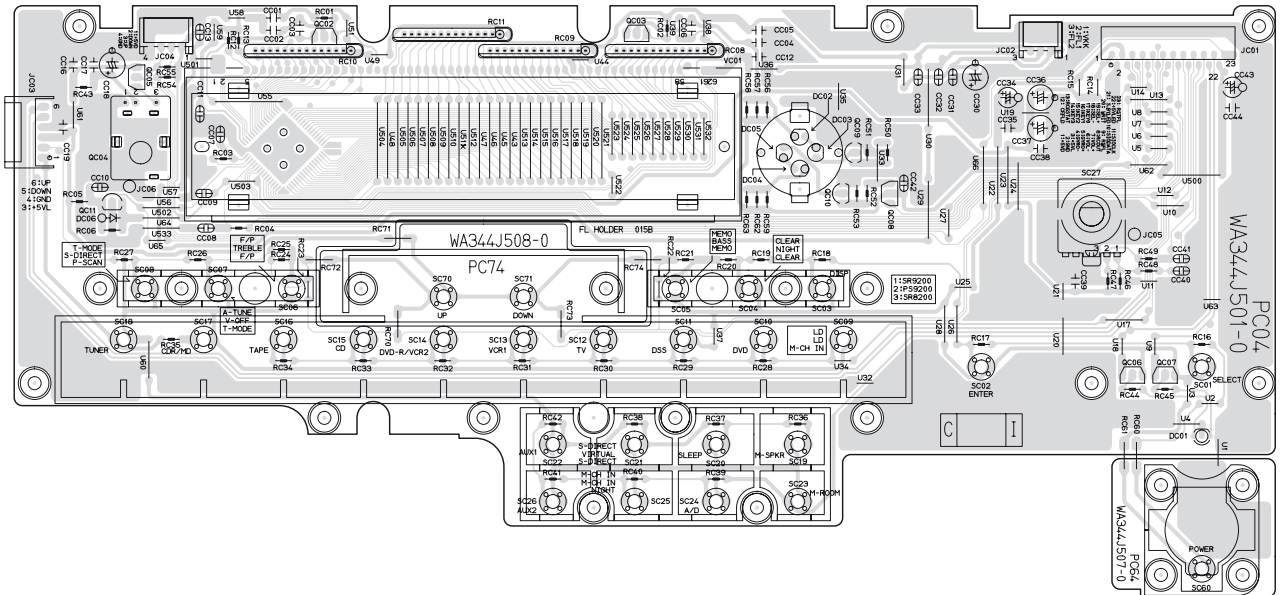
PY04

QY01	DM81 - DM91	DM92 DM93 QM81	QW01	QM82
D868 Q858 D866 Q857	QM83 - QM90	QT03 Q951	QW31	QM85
	QT02 QT04 Q901	Q902 Q855	Q852 D860 Q854 D862	D861 D863
	D865 Q856 D867 Q903 Q904 D864	D859 Q851	D851 - D858	



PC04 / PC64

QC05 QC02 QC03 DC02 - DC05 QC09 QC10 QC08 QC06 QC07



P134
Q111



P174
Q161



P214
Q211



P254
Q261



P314
Q311



P354
Q361



PN14



PN24



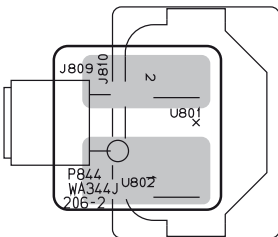
PN54



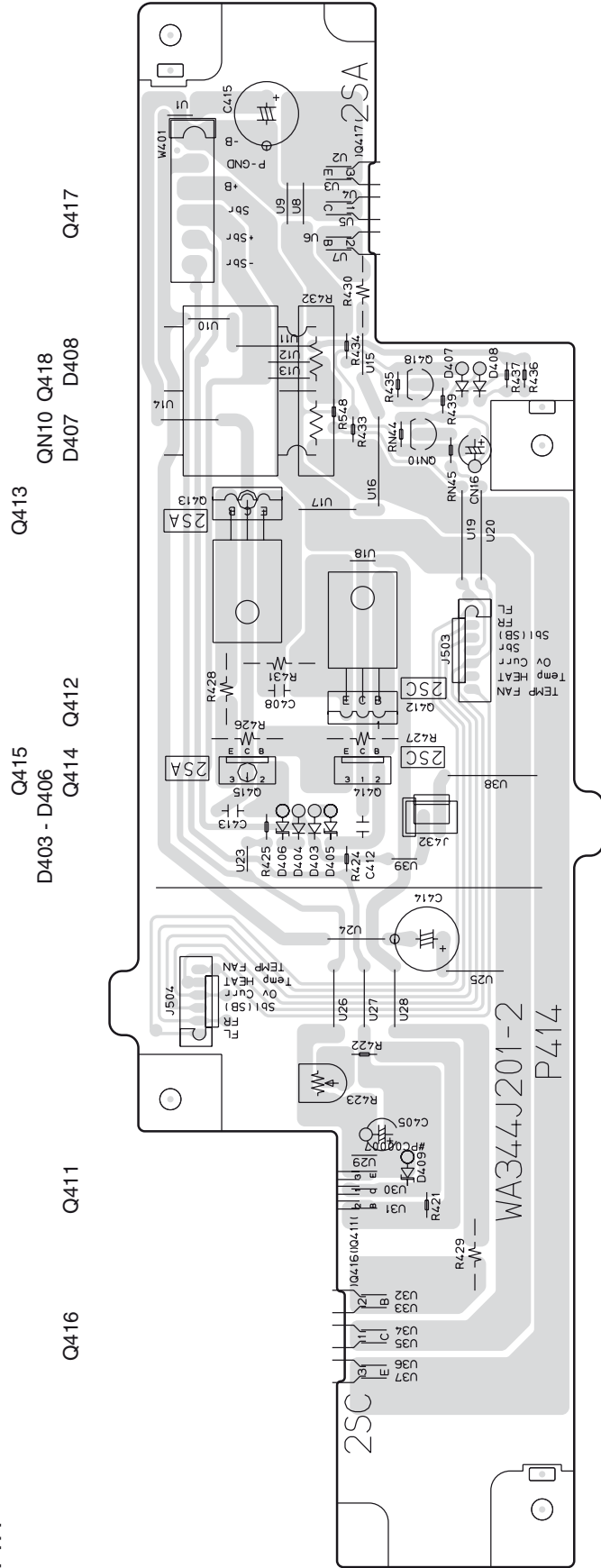
PN64



P844



P414



Q417

QN10 Q418
D407 D408

Q413

Q415
D403 - D406
Q414 Q412

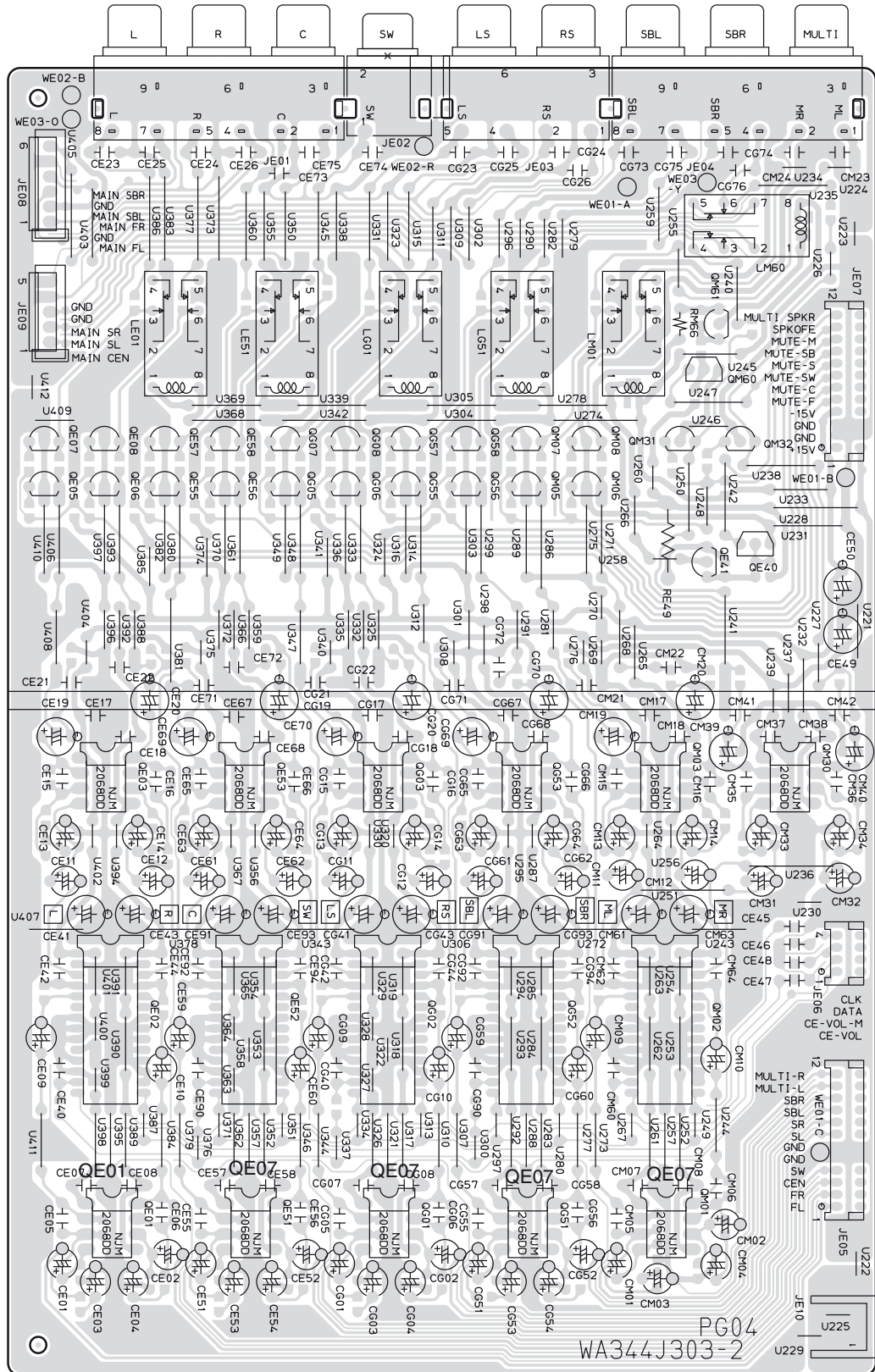
Q411

Q416

SR9200 / PS9200

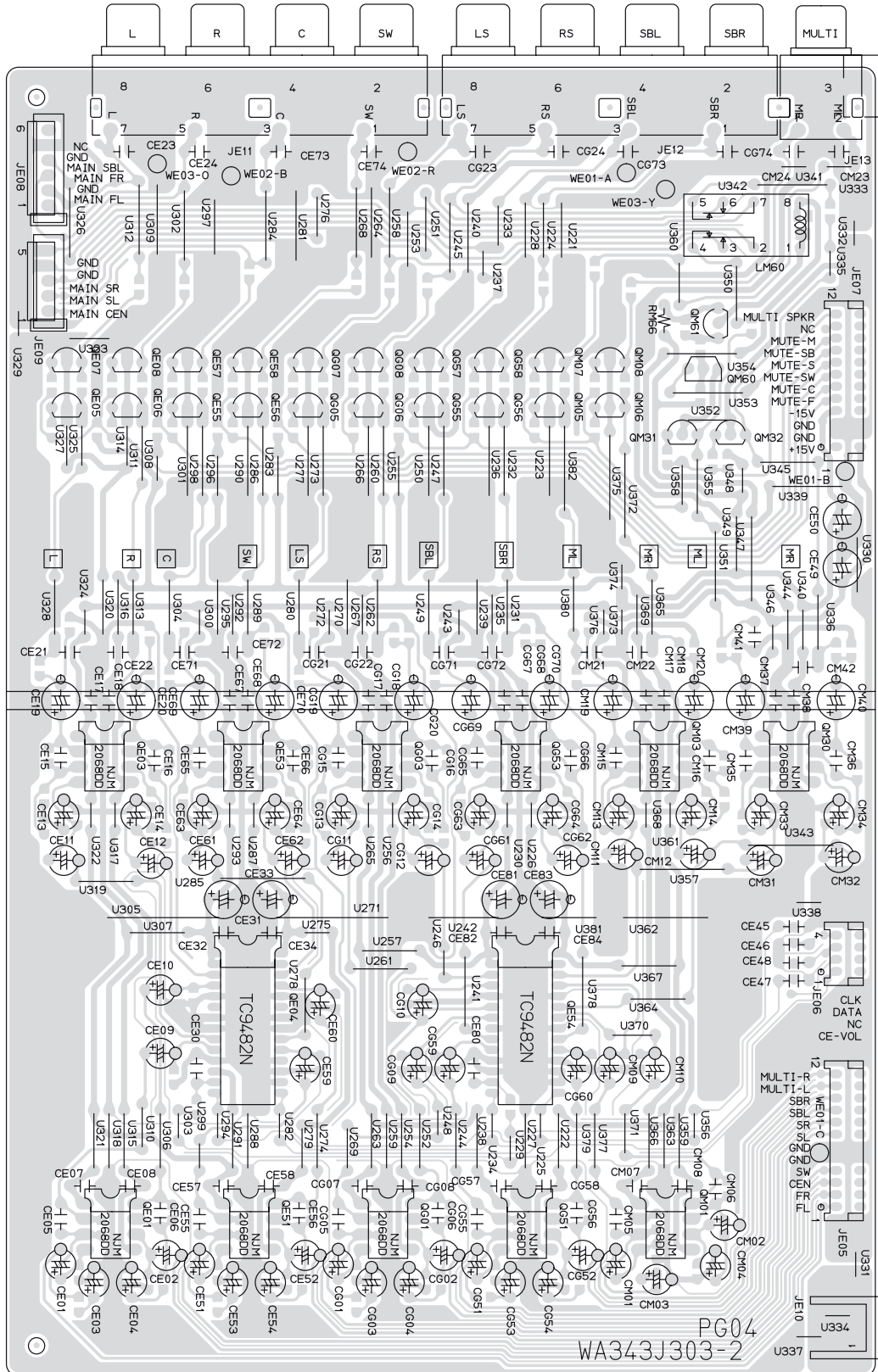
PG04

QE05 - 08 QE55- 58 QG05 - 08 QG55- 58 QM05 - 08 QM60 QM61
 QE31 QE32
 QE41 QE40
 QE01 - 03 QE51 - 53 QG01 - 03 QG51 - 53 QM01 - 03 QM30



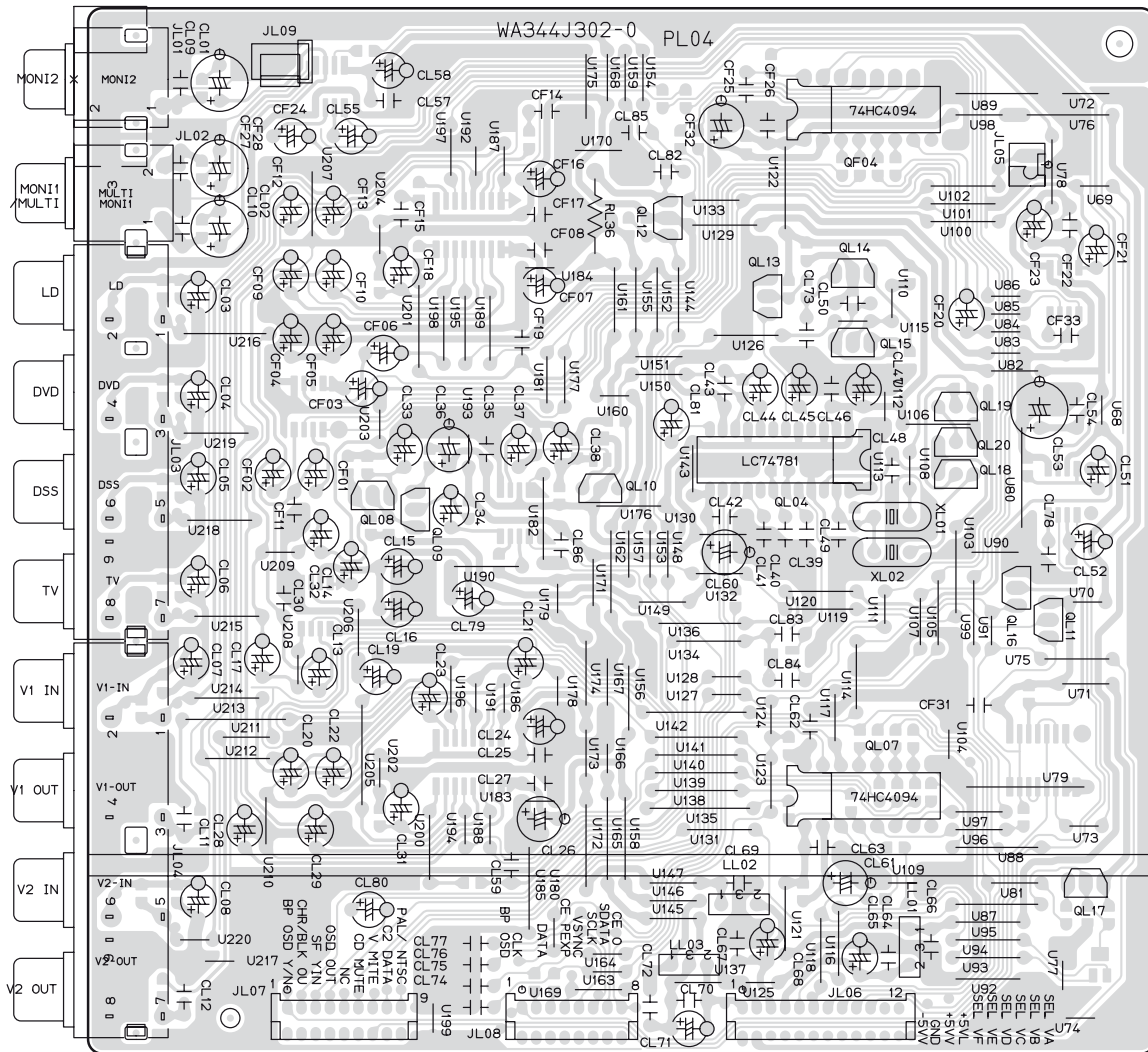
PG04

QE05 - 08 QE55- 58 QG05 - 08 QG55 - 58 QM05 - 08 QM60 QM61 QE31 QE32
QE03 QE53 QG03 QG53 QM03 QM30
QE01 QE51 QG01 QG51 QM01



PL04

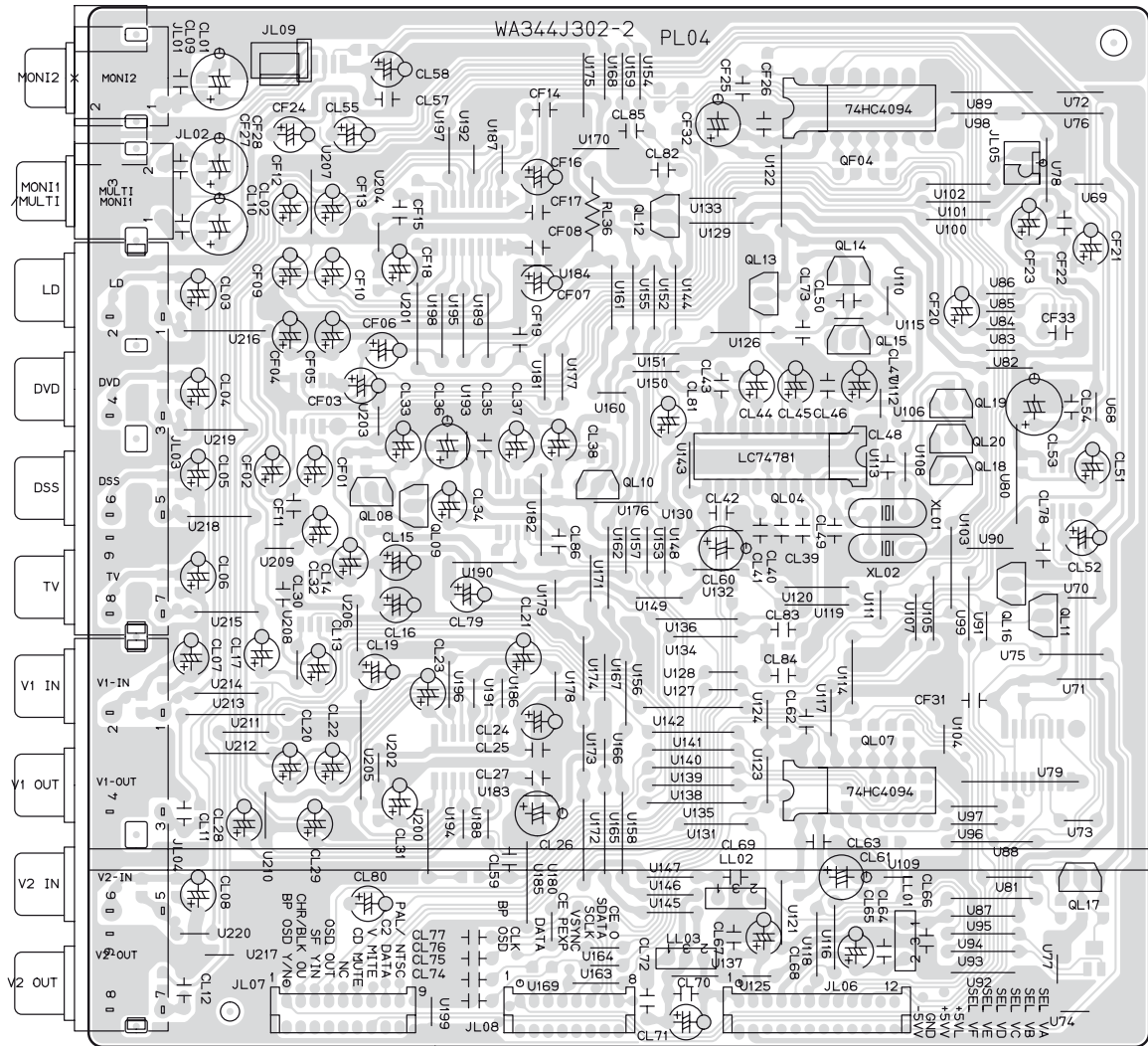
QL08 QL09 QL10 QL12 QL13 - QL15 QF04
 QL04 QL18 - QL20
 QL07 QL16 QL11 QL17



SR8200

PL04

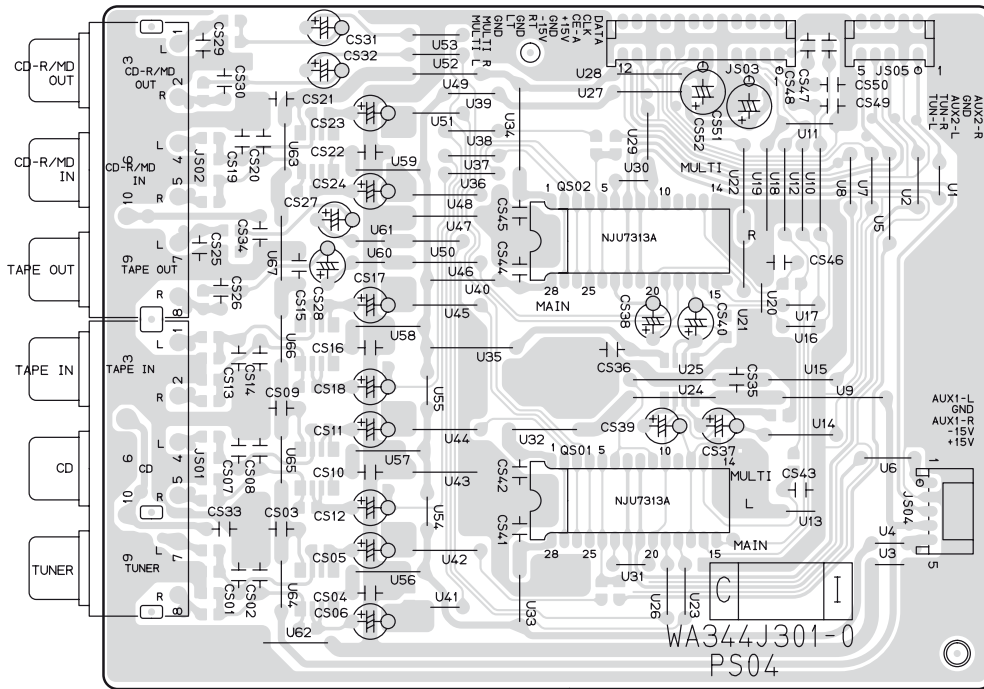
QL08 QL09 QL12 QL13 - QL15 QL18 - QL20
 QL10 QL04 QL16 QL11
 QL07 QL17



SR9200 / PS9200

PS04

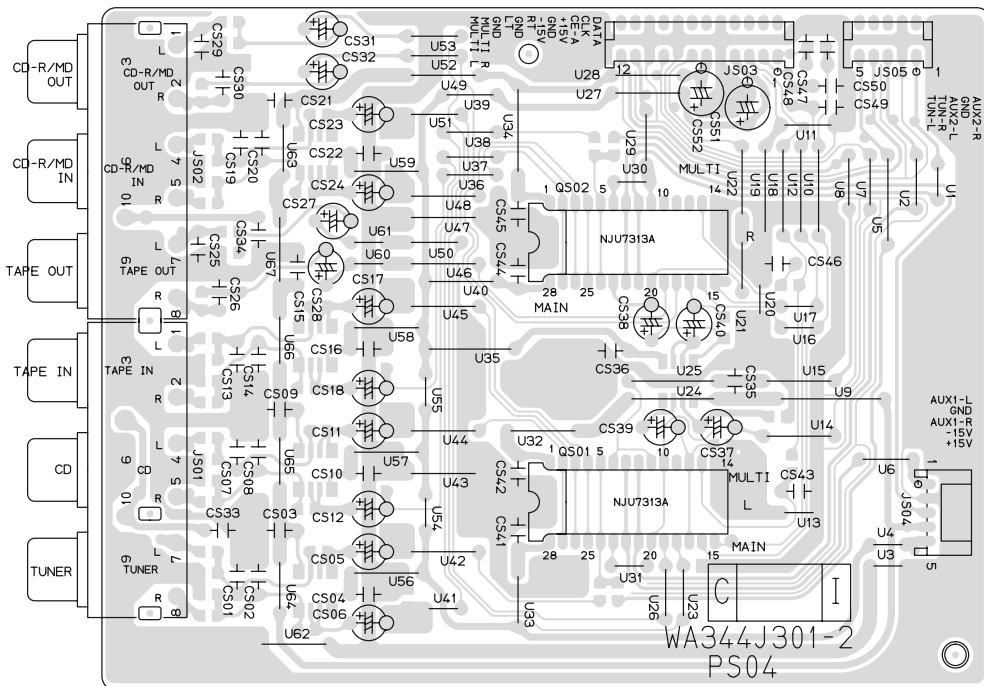
QS02 QS01



SR8200

PS04

QS02 QS01



P834

D839 D840

Q505 D501 Q504

Q506 Q507 Q508

DN01 - DN04

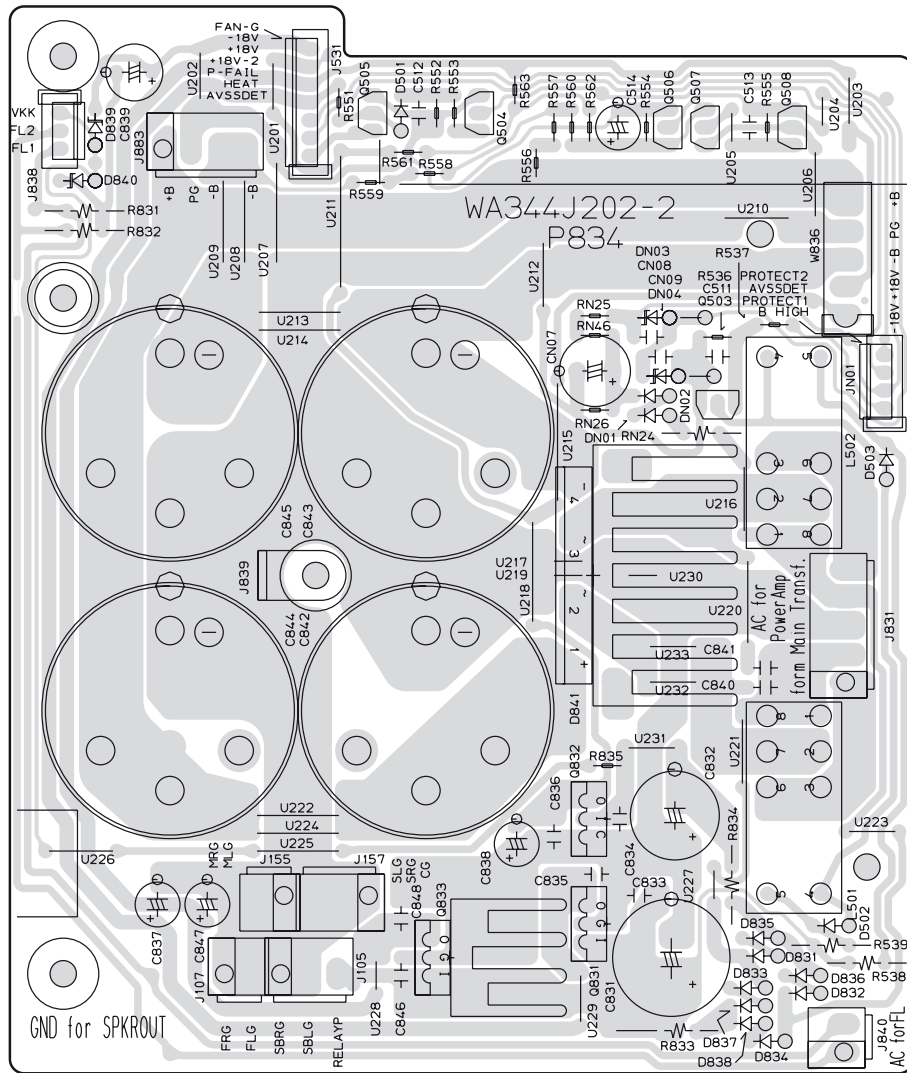
D503

Q833

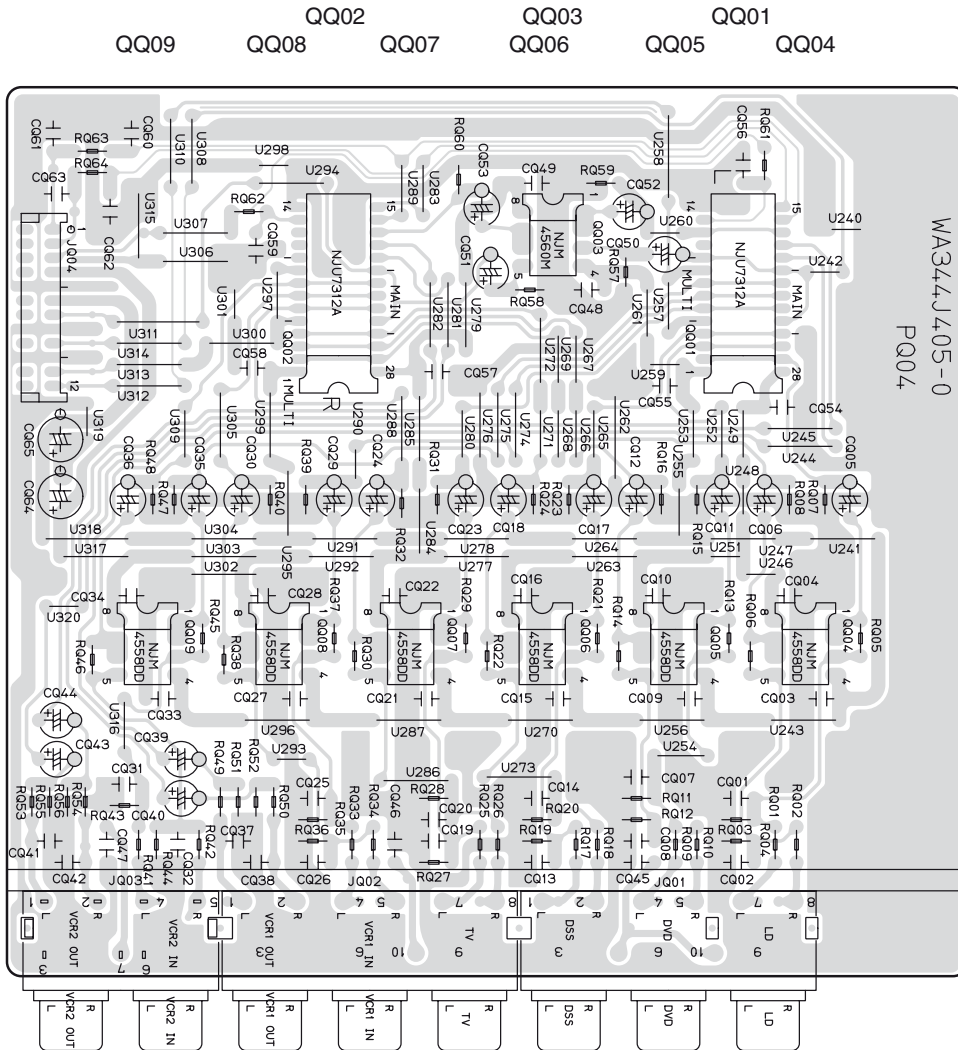
Q831 Q832

D831 - D838

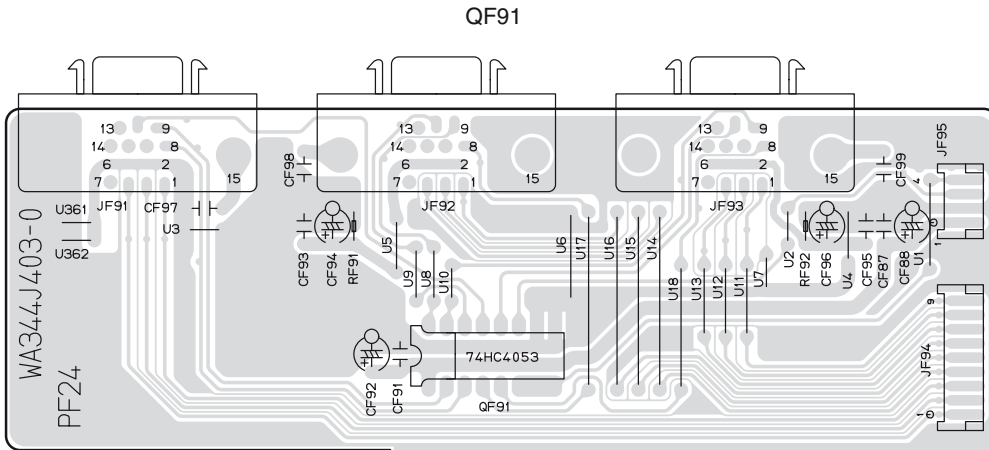
D502



PQ04

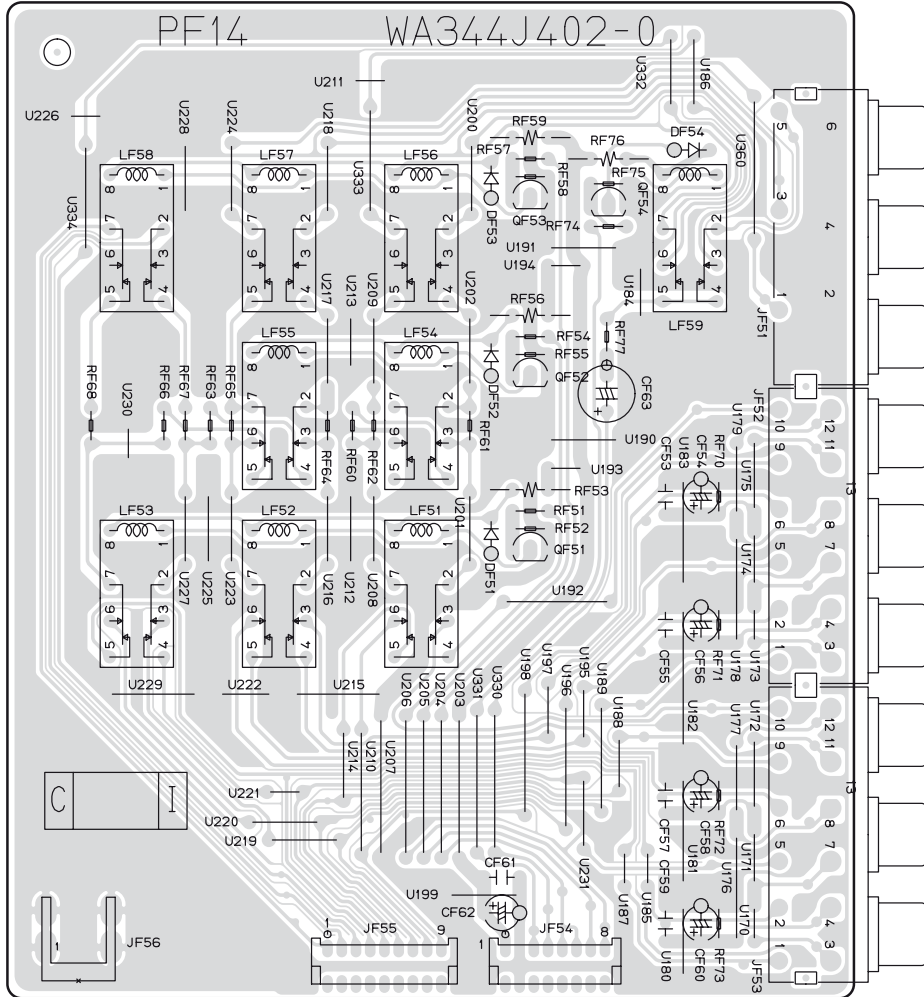


PF24



PF14

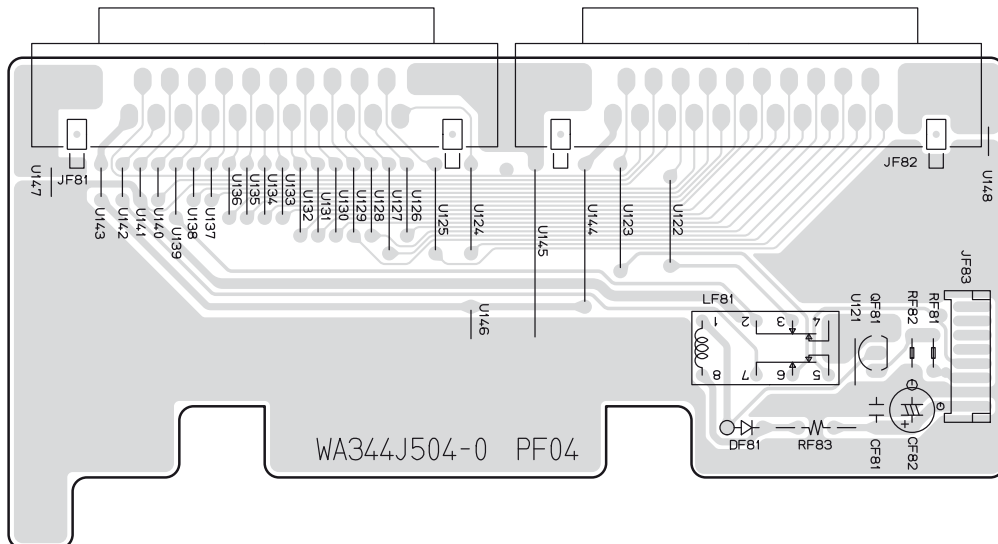
DF51 QF51 QF54 DF54
DF52 QF52
DF53 QF53



PF04

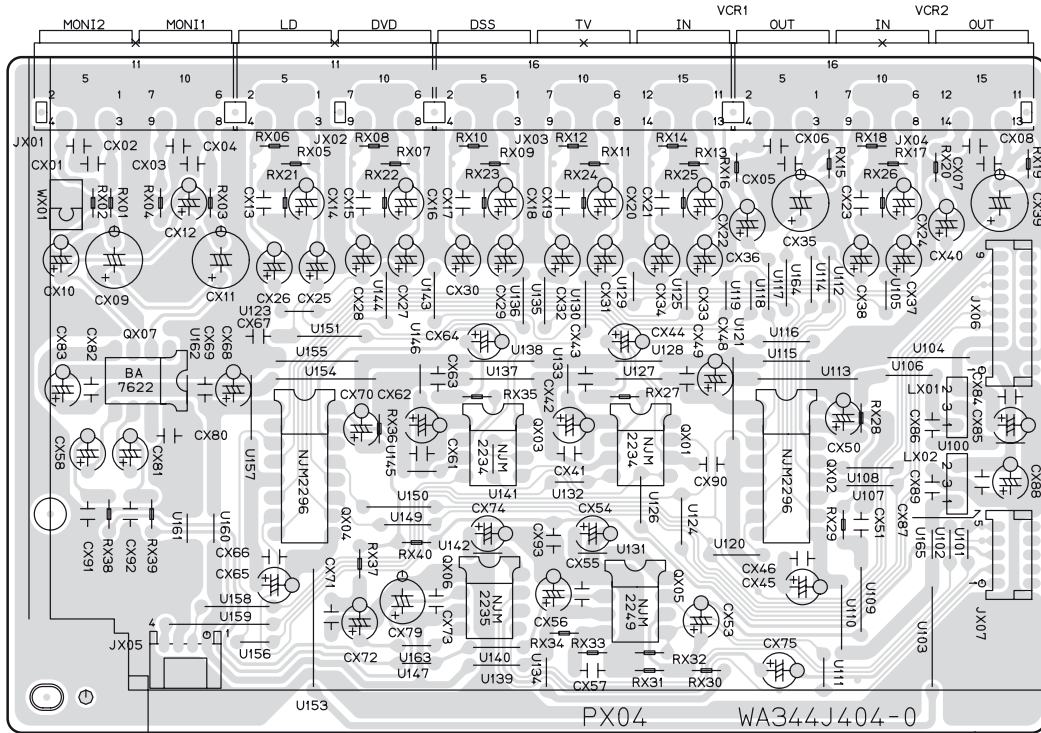
DF81

QF81



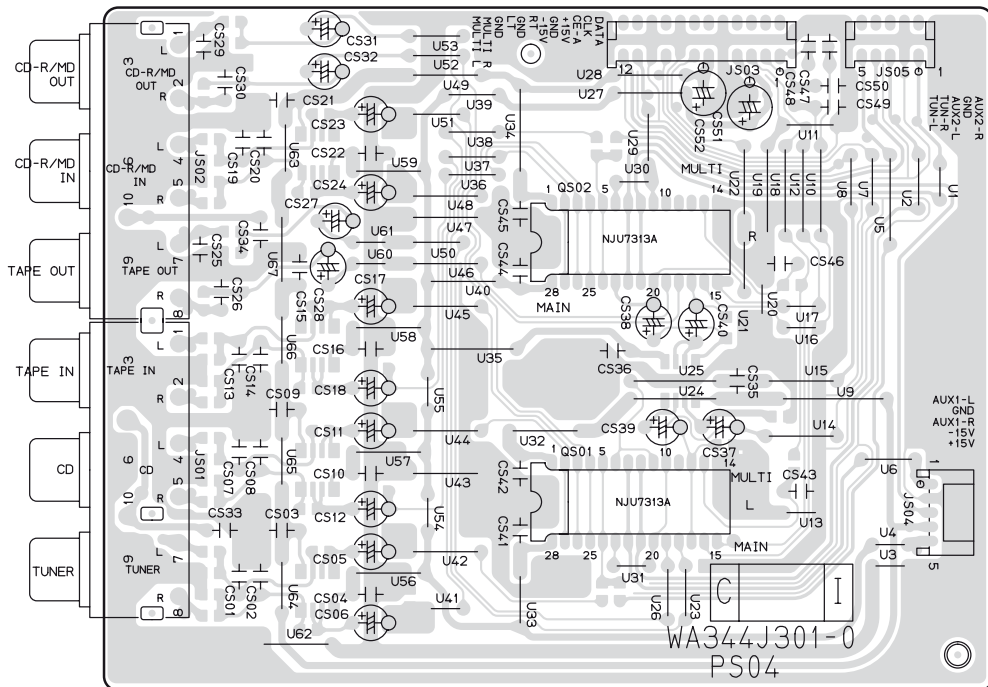
PX04

QX07 QX04 QX03 QX01 QX02
 QX06 QX05



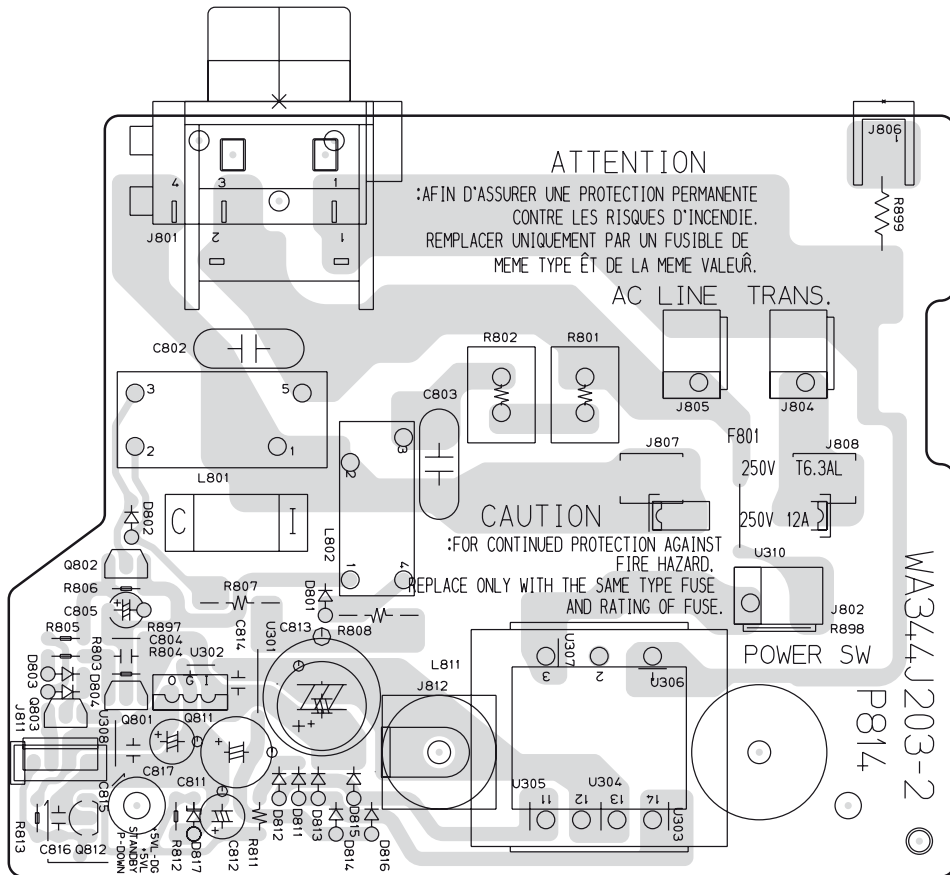
PS04

QS02 QS01



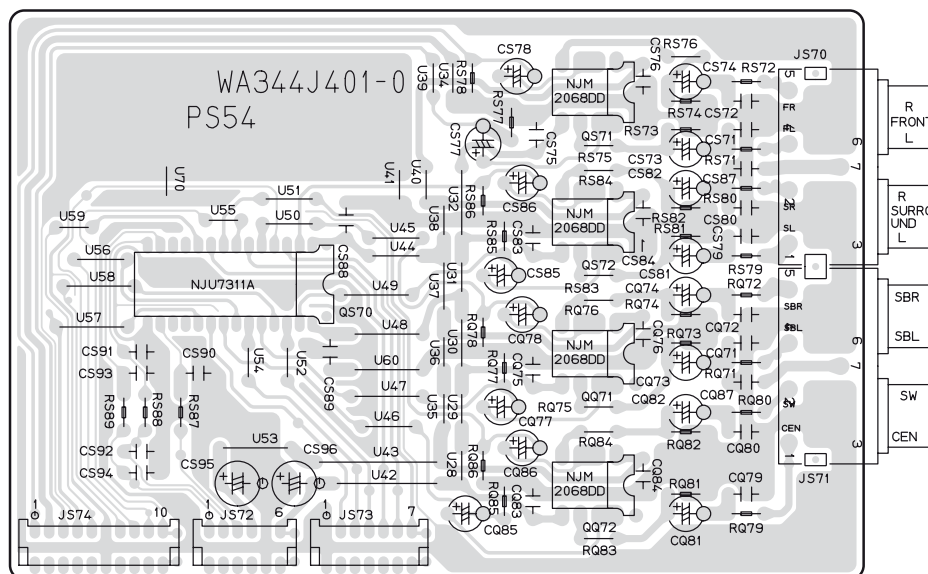
P814

Q802 D802
 D803 D804 Q801 Q811 D801
 Q812 D817 D811 - D816

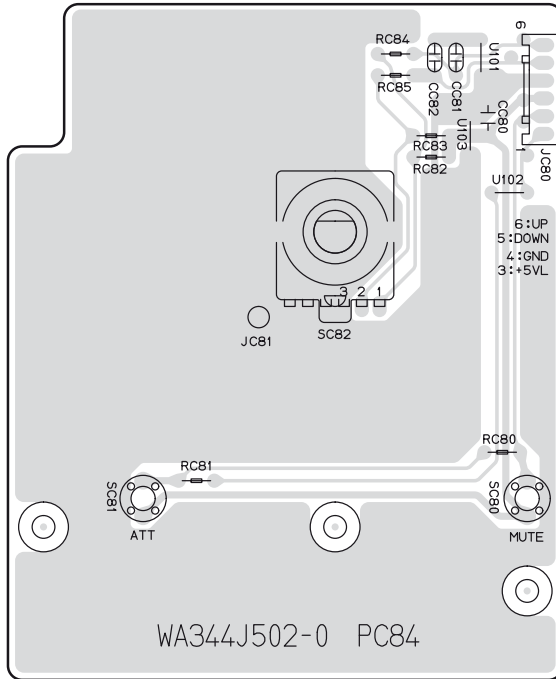


PS54

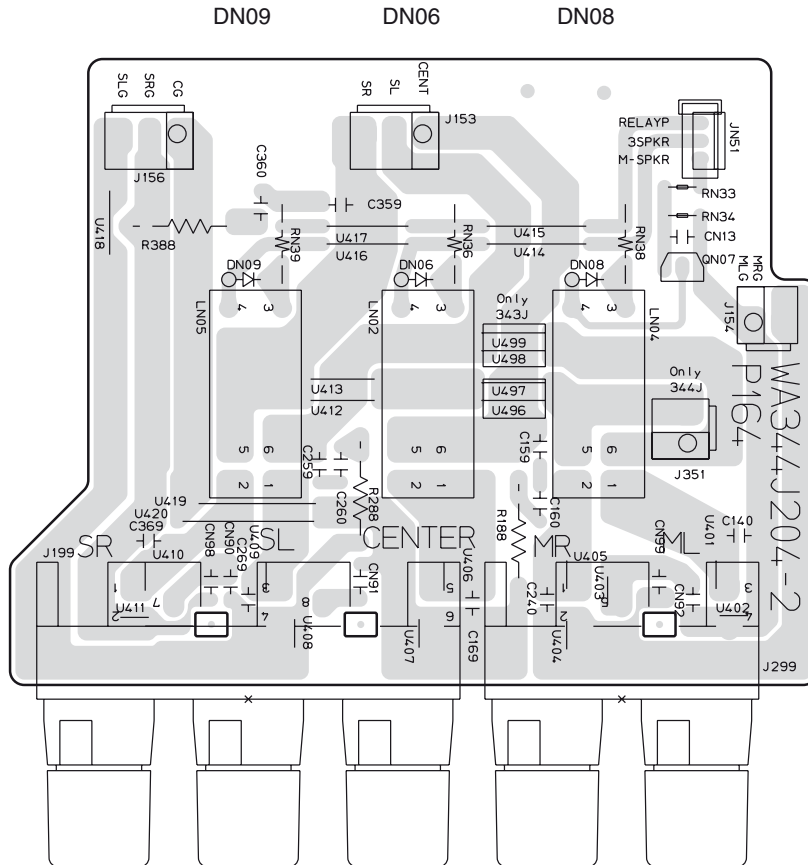
QS70
 QS71 QS72
 QQ71 QQ72



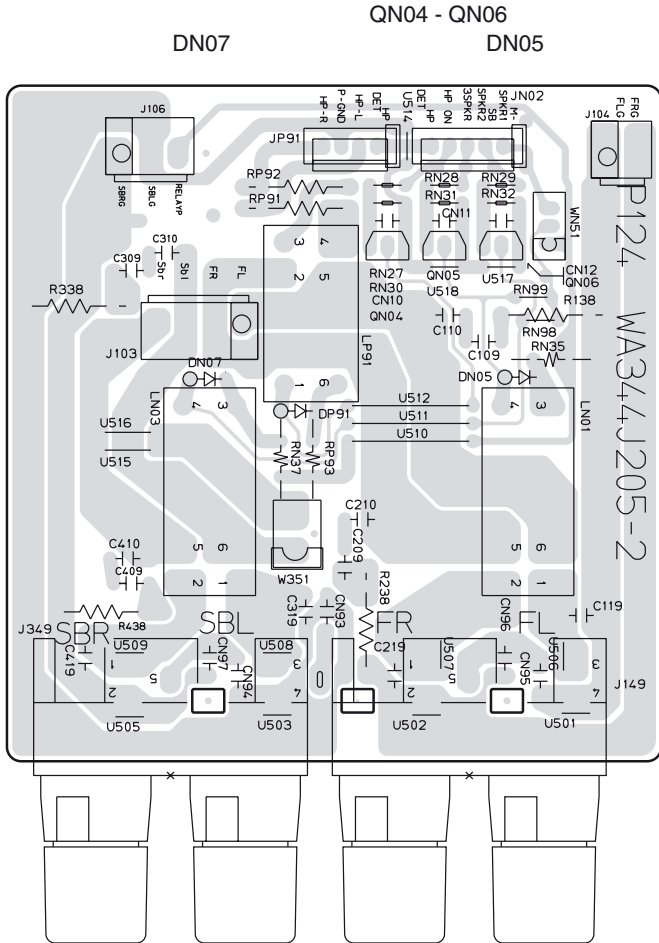
PC84



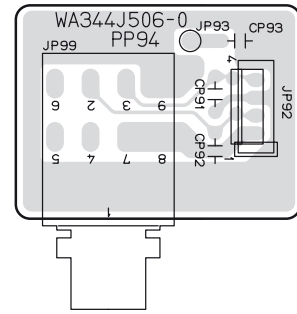
P164



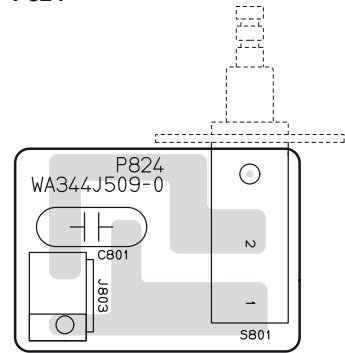
P124



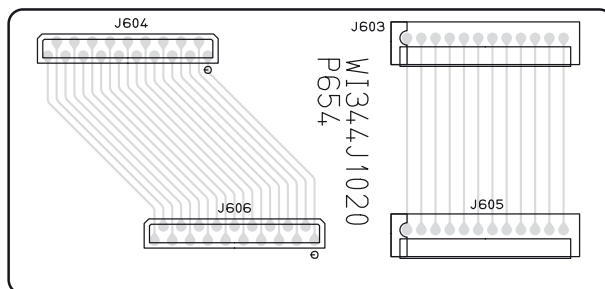
PP94



P824

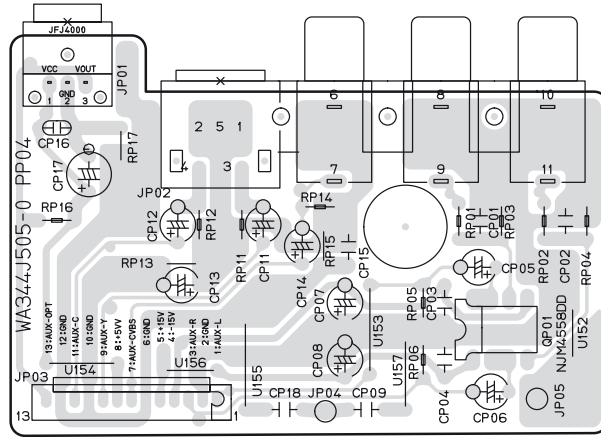


P654



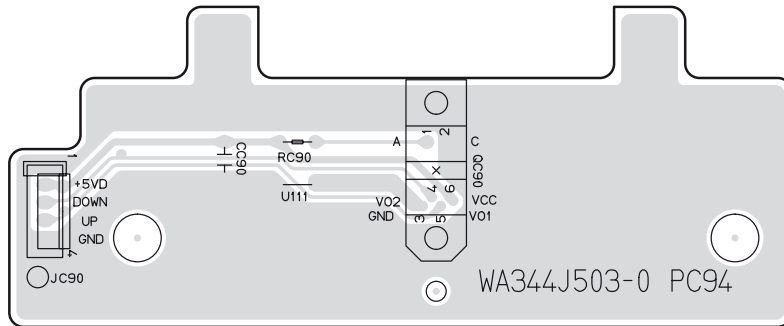
PP04

QP01

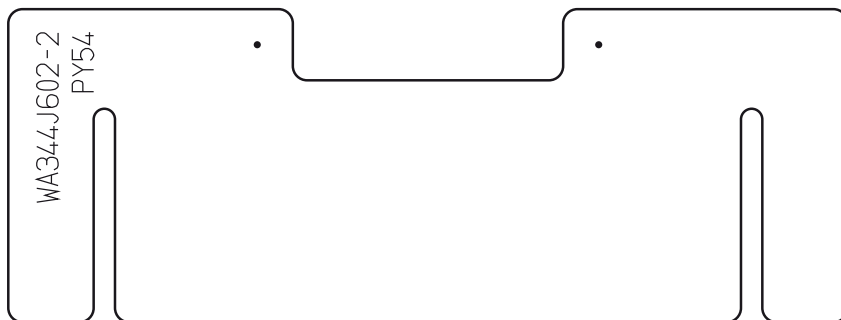


PC94

QC90



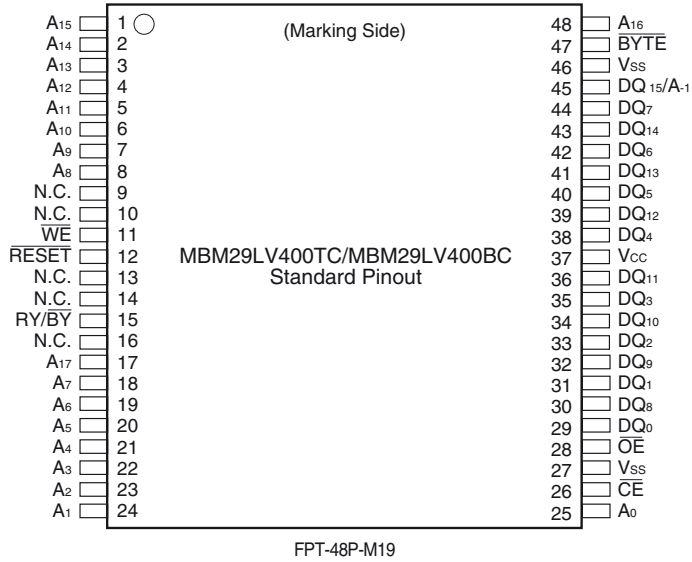
PY54



6. IC DATA

Q671:MBM29LV400TC

Pin Assignment

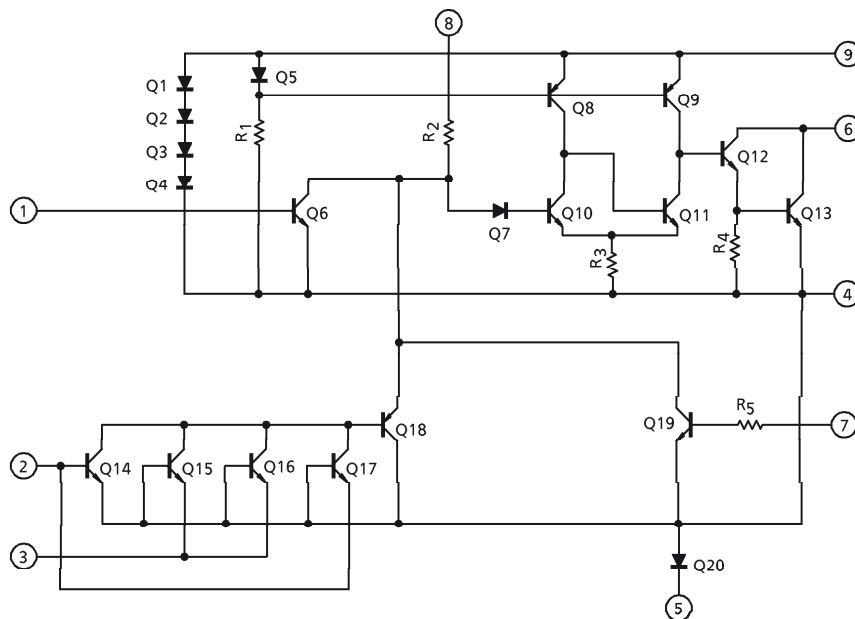


Pin Configuration

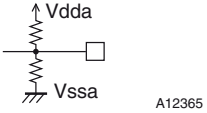
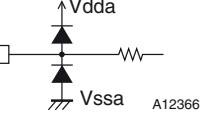
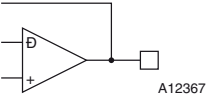
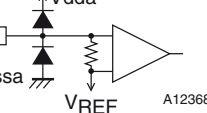
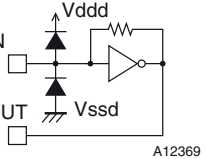
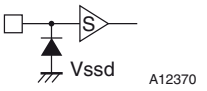
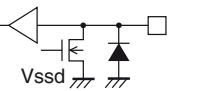
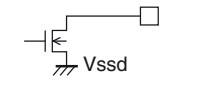
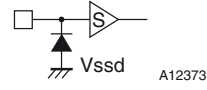
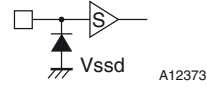
Pin	Function
A-1, A ₀ to A ₁₇	Address Inputs
DQ ₀ to DQ ₁₅	Data Inputs/Outputs
\overline{CE}	Chip Enable
\overline{OE}	Output Enable
\overline{WE}	Write Enable
RY/BY	Ready/Busy Output
RESET	Hardware Reset Pin/Temporary Sector Unprotection
BYTE	Selects 8-bit or 16-bit mode
N.C.	No Internal Connection
V _{SS}	Device Ground
V _{CC}	Device Power Supply

QN01:TA7317P

Equivalent Circuit Diagram



Pin Functions

Pin No.	Pin name	Function	I/O	Pin circuit
1	VREF	Reference voltage output (Vdda/2)	Output	 A12365
2	MPXIN	Baseband (multiplexed) signal input	Input	 A12366
5	FLOUT	Subcarrier output (filter output)	Output	 A12367
6	CIN	Subcarrier input (comparator input)	Input	 A12368
3	Vdda	Analog system power supply (+5 V)	\bar{N}	\bar{N}
4	Vssa	Analog system ground	\bar{N}	\bar{N}
12	XOUT	Crystal oscillator output (4.332/8.664 MHz)	Output	 A12369
13	XIN	Crystal oscillator input (external reference signal input)	Input	
7	T1	Test input (This pin must always be connected to ground.)	Input	 A12370
8	T2	Test input (standby control) 0: Normal operation, 1: Standby state (crystal oscillator stopped)		
9	T3 (RDCL)	Test I/O (RDS clock output)	I/O*	 A12371
10	T4 (RDDA)	Test I/O (RDS data output)		
11	T5 (RSFT)	Test I/O (soft-decision control data output)		
16	T6 (ERROR/57K/TP/BE1)	Test I/O (error status output, regenerated carrier output, TP output, error block count output)		
17	T7 (CORREC/ARI-ID/TA/BE0)	Test I/O (Error correction status output, SK detection output, TA output, error block count output)	Output	 A12372
18	SYNC	Block synchronization detection output		
19	RDS-ID	RDS detection output	Output	 A12373
20	DO	Data output		
21	CL	Clock input	Input	 A12373
22	DI	Data input		
23	CE	Chip enable		
24	SYR	Synchronization and RAM address reset (active high)	\bar{N}	\bar{N}
14	Vddd	Digital system power supply (+5 V)	\bar{N}	\bar{N}
15	Vssd	Digital system ground	\bar{N}	\bar{N}

Note: * Normally function as an output pin. Used as an I/O pin in test mode, which is not available to user applications.

QR50:LC89055W

Pin Functions

No.	Pin name	I/O	Function
1	DISEL	I	Data input pin (DIN0, DIN1) selection input pin
2	DOUT	O	Input bi-phase data through output pin
3	DIN0	I	Digital data input pin (CMOS level, with pull-down resistance when no selected)
4	DIN1	I	Digital data input pin (CMOS level, with pull-down resistance when no selected)
5	DIN2	I	Digital data input pin (TTL level)
6	DGND		Digital GND
7	DVDD		Digital power supply
8	R	I	VCO gain control input pin
9	VIN	I	VCO free-running frequency setting input pin
10	LPF	O	PLL loop filter setting pin
11	AVDD		Analog power supply
12	AGND		Analog GND
13	CKOUT	O	Clock output pin (256 fs, 384 fs, 512 fs, crystal oscillation, VCO free-running oscillation)
14	BCK	O	64 fs clock output pin
15	LRCK	O	fs clock output pin (L = R-ch, H = L-ch, I ² S = inverted)
16	DATAO	O	Data output pin
17	XSTATE	O	Source clock switch monitor output pin
18	DGND		Digital GND
19	DVDD		Digital power supply
20	XMCK	O	Crystal oscillation clock output pin (24.576 MHz or 12.288 MHz)
21	XOUT	O	Crystal oscillator connection output pin
22	XIN	I	Crystal oscillator connection input pin, external signal input supported (24.576 MHz or 12.288 MHz)
23	EMPHA	O	Channel status emphasis information output pin
24	AUDIO	O	Channel status bit 1 (non-PCM data detection bit) output pin
25	CSFLAG	O	First 40 channel status bits update flag output pin
26	F0/P0/C0	O	Input fs calculation signal output/Pc data type output/input word length information output pin
27	F1/P1/C1	O	Input fs calculation signal output/Pc data type output/input word length information output pin
28	F2/P2/C2	O	Input fs calculation signal output/Pc data type output/input word length information output pin
29	VF/P3/C3	O	Validity flag output/Pc data type output/input word length information output pin
30	DVDD		Digital GND
31	DGND		Digital power supply
32	AUTO	O	Non-PCM burst data transfer detection signal (Pa, Pb detection) output pin
33	BPSYNC	O	Non-PCM burst preamble Pa, Pb, Pc, Pd sync signal output pin
34	ERROR	O	PLL lock error or data error flag output pin
35	DO	O	Microcontroller IF/read data output pin
36	DI	I	Microcontroller IF/write data input pin
37	CE	I	Microcontroller IF/Chip enable input pin
38	CL	I	Microcontroller IF/clock input pin
39	XSEL	I	[XIN] crystal oscillation selection input pin (24.576 MHz or 12.288 MHz)
40	MODE0	I	Mode setting input pin
41	MODE1	I	Mode setting input pin
42	DGND		Digital GND
43	DVDD		Digital power supply
44	DOSEL0	I	Output data format selection input pin
45	DOSEL1	I	Output data format selection input pin
46	CKSEL0	I	Output clock selection input pin
47	CKSEL1	I	Output clock selection input pin
48	XMODE	I	System reset input pin

Note: * Perform digital power supply (DVDD) and analog power supply (AVDD) ON/OFF with the same potential and the same timing as a latch-up countermeasure.

Pin Description

No.	Pin Name	I/O	Function																				
1	VREFL	O	Lch Reference Voltage Pin, 3.75V Normally connected to GNDL with a 10 μ F electrolytic capacitor and a 0.1 μ F ceramic capacitor																				
2	GNDL	-	Lch Reference Ground Pin, 0V																				
3	VCOML	O	Lch Common Voltage Pin, 2.75V																				
4	AINL+	I	Lch Analog positive input Pin																				
5	AINL-	I	Lch Analog negative input Pin																				
6	ZCAL	I	Zero Calibration Control Pin This pin controls the calibration reference signal. "L": VCOML and VCOMR "H": Analog Input Pins (AINL \pm , AINR \pm)																				
7	VD	-	Digital Power Supply Pin, 3.3V																				
8	DGND	-	Digital Ground Pin, 0V																				
9	CAL	O	Calibration Active Signal Pin "H" means the offset calibration cycle is in progress. Offset calibration starts when RST goes "H". CAL goes "L" after 8704 LRCK cycles for DFS="L", 17408 LRCK cycles for DFS="H".																				
10	RST	I	Reset Pin When "L", Digital section is powered-down. Upon returning "H", an offset calibration cycle is started. An offset calibration cycle should always be initiated after power-up.																				
11	SMODE2	I	Serial Interface Mode Select Pin MSB first, 2's complement. <table style="margin-left: 20px;"> <thead> <tr> <th>SMODE2</th> <th>SMODE1</th> <th>MODE</th> <th>LRCK</th> </tr> </thead> <tbody> <tr> <td>L</td> <td>L</td> <td>Slave mode : MSB justified</td> <td>: H/L</td> </tr> <tr> <td>L</td> <td>H</td> <td>Master mode : Similar to I²S</td> <td>: H/L</td> </tr> <tr> <td>H</td> <td>L</td> <td>Slave mode : I²S</td> <td>: L/H</td> </tr> <tr> <td>H</td> <td>H</td> <td>Master mode : I²S</td> <td>: L/H</td> </tr> </tbody> </table>	SMODE2	SMODE1	MODE	LRCK	L	L	Slave mode : MSB justified	: H/L	L	H	Master mode : Similar to I ² S	: H/L	H	L	Slave mode : I ² S	: L/H	H	H	Master mode : I ² S	: L/H
SMODE2	SMODE1	MODE		LRCK																			
L	L	Slave mode : MSB justified		: H/L																			
L	H	Master mode : Similar to I ² S		: H/L																			
H	L	Slave mode : I ² S	: L/H																				
H	H	Master mode : I ² S	: L/H																				
12	SMODE1	I																					
13	LRCK	I/O	Left/Right Channel Select Clock Pin LRCK goes "H" at SMODE2="L" and "L" at SMODE2="H" during reset when SMODE1 "H".																				
14	SCLK	I/O	Serial Data Clock Pin Data is clocked out on the falling edge of SCLK. Slave mode: SCLK requires more than 48fs clock. Master mode: SCLK outputs a 128fs(DFS="L") or 64fs(DFS="H") clock. SCLK stays "L" during reset.																				
15	SDATA	O	Serial Data Output Pin MSB first, 2's complement. SDATA stays "L" during reset.																				
16	FSYNC	I/O	Frame Synchronization Signal Pin Slave mode: When "H", the data bits are clocked out on SDATA. In I ² S mode, FSYNC is Don't care. Master mode: FSYNC outputs 2fs clock. FSYNC stays "L" during reset.																				
17	MCLK	I	Master Clock Input Pin 256fs at DFS="L", 128fs at DFS="H".																				
18	DFS	I	Double Speed Sampling Mode Pin "L": Normal Speed "H": Double Speed																				

19	HPFE	I	High Pass Filter Enable Pin "L": Disable "H": Enable
20	TEST	I	Test Pin(pull-down pin) Should be connected to GND.
21	BGND	-	Substrate Ground Pin, 0V
22	AGND	-	Analog Ground Pin, 0V
23	VA	-	Analog Supply Pin, 5V
24	AINR-	I	Rch Analog negative input Pin
25	AINR+	I	Rch Analog positive input Pin
26	VCOMR	O	Rch Common Voltage Pin, 2.75V
27	GNDR	-	Rch Reference Ground Pin, 0V
28	VREFR	O	Rch Reference Voltage Pin, 3.75V Normally connected to GNDR with a 10 μ F electrolytic capacitor and a 0.1 μ F ceramic capacitor

Note: All digital inputs should not be left floating

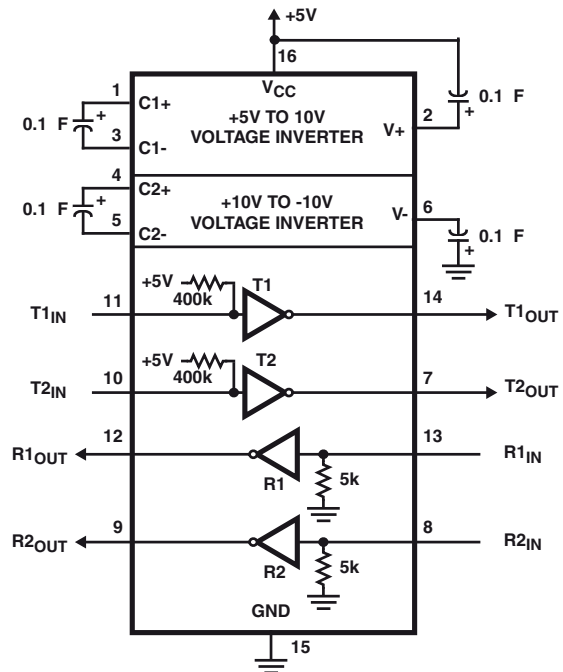
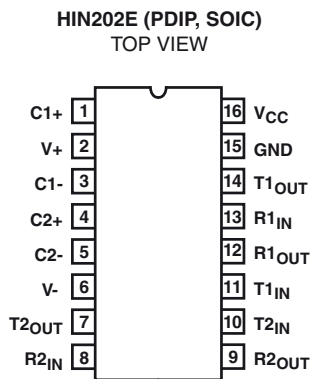
QA07/QU71:PCF8574

Pin Description

SYMBOL	PIN		DESCRIPTION
	DIP16; SO16	SSOP20	
A0	1	6	address input 0
A1	2	7	address input 1
A2	3	9	address input 2
P0	4	10	quasi-bidirectional I/O 0
P1	5	11	quasi-bidirectional I/O 1
P2	6	12	quasi-bidirectional I/O 2
P3	7	14	quasi-bidirectional I/O 3
V _{SS}	8	15	supply ground
P4	9	16	quasi-bidirectional I/O 4
P5	10	17	quasi-bidirectional I/O 5
P6	11	19	quasi-bidirectional I/O 6
P7	12	20	quasi-bidirectional I/O 7
$\overline{\text{INT}}$	13	1	interrupt output (active LOW)
SCL	14	2	serial clock line
SDA	15	4	serial data line
V _{DD}	16	5	supply voltage
n.c.	-	3	not connected
n.c.	-	8	not connected
n.c.	-	13	not connected
n.c.	-	18	not connected

QU50:HIN202ECB

Pin Assignment



Pin Descriptions

PIN	FUNCTION
V _{CC}	Power Supply Input 5V 10%, (5V 5% HIN207E).
V+	Internally generated positive supply (+10V nominal).
V-	Internally generated negative supply (-10V nominal).
GND	Ground Lead. Connect to 0V.
C1+	External capacitor (+ terminal) is connected to this lead.
C1-	External capacitor (- terminal) is connected to this lead.
C2+	External capacitor (+ terminal) is connected to this lead.
C2-	External capacitor (- terminal) is connected to this lead.
T _{IN}	Transmitter Inputs. These leads accept TTL/CMOS levels. An internal 400k pull-up resistor to V _{CC} is connected to each lead.
T _{OUT}	Transmitter Outputs. These are RS-232 levels (nominally 10V).
R _{IN}	Receiver Inputs. These inputs accept RS-232 input levels. An internal 5k pull-down resistor to GND is connected to each input.
R _{OUT}	Receiver Outputs. These are TTL/CMOS levels.
\overline{EN}	Enable Input. This is an active low input which enables the receiver outputs. With $\overline{EN} = 5V$, the outputs are placed in a high impedance state.
SD, \overline{SD}	Shutdown Input. With SD = 5V (HIN213E $\overline{SD} = 0V$), the charge pump is disabled, the receiver outputs are in a high impedance state (except R4 and R5 of HIN241E) and the transmitters are shut off.
NC	No Connect. No connections are made to these leads.

QL04:LC74781

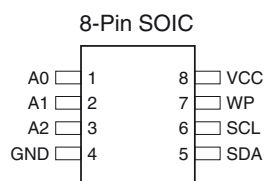
Pin Functions

Pin No.	Symbol	Function	Description
1	V _{SS} 1	Ground	Ground connection (digital system ground)
2	Xtal _{IN}	Crystal oscillator connection	Used to connect the crystal oscillator and capacitor used to generate the internal synchronization signal, or to input an external clock (2fsc or 4fsc).
3	Xtal _{OUT}		
4	CTRL1	Crystal oscillator input switching	Switches between external clock input mode and crystal oscillator mode. Low = crystal oscillator mode, high = external clock mode
5	BLANK	Blanking output	Outputs the blank signal (the OR of the character and border signals). (Outputs a composite sync signal when MOD0 is high.) Outputs the crystal oscillator clock during reset (when the RST pin is low), but can be set up to not output this signal by microprocessor command.
6	OSC _{IN}	LC oscillator connection	Connections for the coil and capacitor that form the oscillator that generates the character output dot clock.
7	OSC _{OUT}		
8	CHARA	Character output	Outputs the character signal. (Functions as the external synchronization signal discrimination signal output pin when MOD0 is high, and outputs the state of the judgment as to whether the external synchronization signal is present or not. Outputs a high level when the synchronization signal is present.) Outputs the dot clock (LC oscillator) during reset, but can be set up to not output this signal by microprocessor command.
9	$\overline{\text{CS}}$	Enable input	Serial data input enable input. Serial data input is enabled when low. A pull-up resistor is built in (hysteresis input).
10	SCLK	Clock input	Serial data input clock input. A pull-up resistor is built in (hysteresis input).
11	SIN	Data input	Serial data input. A pull-up resistor is built in (hysteresis input).
12	V _{DD} 2	Power supply	Composite video signal level adjustment power supply pin (analog system power supply).
13	CV _{OUT}	Video signal output	Composite video signal output
14	NC		Must be either connected to ground or left open.
15	CV _{IN}	Video signal input	Composite video signal input
16	V _{DD} 1	Power supply	Power supply (+5 V: digital system power supply)
17	SYN _{IN}	Sync separator circuit input	Video signal input for the built-in sync separator circuit (Used for either horizontal synchronization signal or composite sync signal input when the built-in sync separator circuit is not used.)
18	SEP _C	Sync separator circuit bias voltage	Built-in sync separator circuit bias voltage monitor pin
19	SEP _{OUT}	Composite sync signal output	Built-in sync separator circuit composite sync signal output. (When MOD1 is high, outputs a high level during internal synchronization and a low level during external synchronization.) (Outputs the SYN _{IN} input signal when the internal sync separator circuit is not used.)
20	SEP _{IN}	Vertical synchronization signal input	Inputs a vertical synchronization signal created by integrating the SEP _{OUT} pin output signal. An integrator must be attached at the SEP _{OUT} pin. This pin must be tied to V _{DD} 1 if unused.
21	CTRL2	NTSC/PAL-M switching input	The setting indicated by this pin takes priority in switching between the NTSC, PAL, PAL-M and PAL-N formats. A low level selects NTSC after a reset. The microprocessor command NTSC, PAL, PAL-M, or PAL-N setting is valid. High = PAL-M format.
22	CTRL3	SEP _{IN} input control	Controls whether or not the $\overline{\text{VSYNC}}$ signal is input to the SEP _{IN} input. Low = $\overline{\text{VSYNC}}$ input, high = $\overline{\text{VSYNC}}$ not input.
23	RST	Reset input	System reset input. A pull-up resistor is built in (hysteresis input).
24	V _{DD} 1	Power supply (+5 V)	Power supply (+5 V: digital system power supply)

QU70:AT24C04N

Pin Configuration

Pin Name	Function
A0 - A2	Address Inputs
SDA	Serial Data
SCL	Serial Clock Input
WP	Write Protect
NC	No Connect



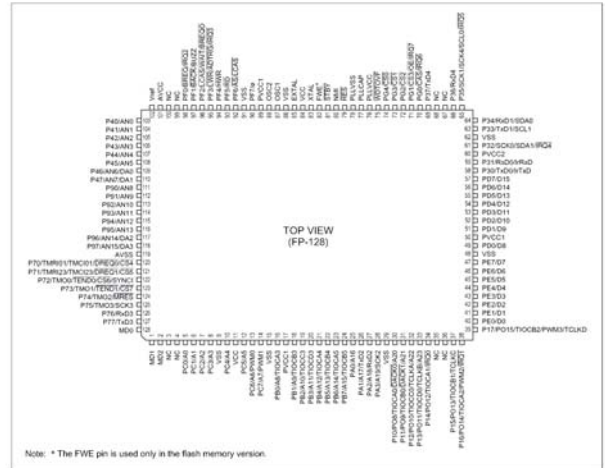
Pin Description

pin	port mode = 7	I/O	use	Name	Port Setting		Note
					Act.	init	
1	MD1	I	YES	MD1	-	-	Fix H
2	MD2	I	YES	MD2	-	-	Normal :H, Boot :L
3	NC	-	-		-	-	N.C.
4	NC	-	-		-	-	N.C.
5	PC0	I/O	O	DATAOTU	-	L	Tuner Pack
6	PC1	I/O	O	CLKTU	-	L	Tuner Pack
7	PC2	I/O	O	_CETU	L	L	Tuner Pack
8	PC3	I/O	I	DATAITU	-	-	Tuner Pack
9	VSS	I	YES	GND	-	-	GND
10	PC4	I/O	I	SD	L	-	Tuned
11	VCC	I	YES	VCC	-	-	3.3V
12	PC5	I/O	I	TUST	H	-	Stereo Tune/_ MONO
13	PC6/PWM0	I/O	O	_CERDS	L	L	Tuner Pack(RDS)
14	PC7/PWM1	I/O	I	RDSDATA	-	-	Tuner Pack(RDS)
15	VSS	I	YES	GND	-	-	GND
16	PB0/TIOCA3	I/O	T_IN	VSYNC	H	-	V-sync Det. & Change OSD
17	PVCC1	I	YES	PVCC1	-	-	+5V
18	PB1/TIOCB3	I/O	O	_Data(Inverted)	-	H	P-Exp. (mute, Video), Analog SW, Volume
19	PB2/TIOCC3	I/O	O	_CLK(Inverted)	-	H	P-Exp.(mute, Video), Analog SW, Volume
20	PB3/TIOCD3	I/O	O	_CEEXP	L	H	P-Exp. (mute, Video),
21	PB4/TIOCA4	I/O	T_OUT	RC_BUS_OUT	-	L	RC BUS Output
22	PB5/TIOCB4	I/O	O	KILLIR	H	L	Kill to IR input signal.
23	PB6/TIOCA5	I/O	T_OUT	MRC50	-	L	RC BUS MULTI Output
24	PB7/TIOCB5	I/O	O	_UMUTE	L	L	logic for Tr mute
25	PA0	I/O	O	RTS	-	L	UART
26	PA1/TxD2	I/O	SO	TXD	-	L	UART for Panja, Flash WR Necessary to Pull Up
27	PA2/RxD2	I/O	SI	RXD	-	-	UART for Panja, Flash WR Necessary to Pull Up
28	PA3/SCK2	I/O	I	CTS	-	-	UART
29	Vss	I	-	GND	-	-	Ground
30	P10/TIOCA0/	I/O	T_OUT	RC6STAT	H	L	IR carry out
31	P11/TIOCB0/	I/O	T_IN	RCIN	-	-	IR In for RC-5 \$ RC-6
32	P12/	I/O	O	_SMUTE	L	L	DAC
33	P13/	I/O	O	DFS	H	L	DAC&ADC
34	P14/_IRQ0	I/O	INT	_PDOWN	L	-	Power Down Detect
35	NC	-	-	N.C.	-	-	
36	NC	-	-	N.C.	-	-	
37	P15/	I/O	O	_RSTDAC	L	L	DAC
38	P16/_IRQ1	I/O	INT	ERF	H	-	error from DIR

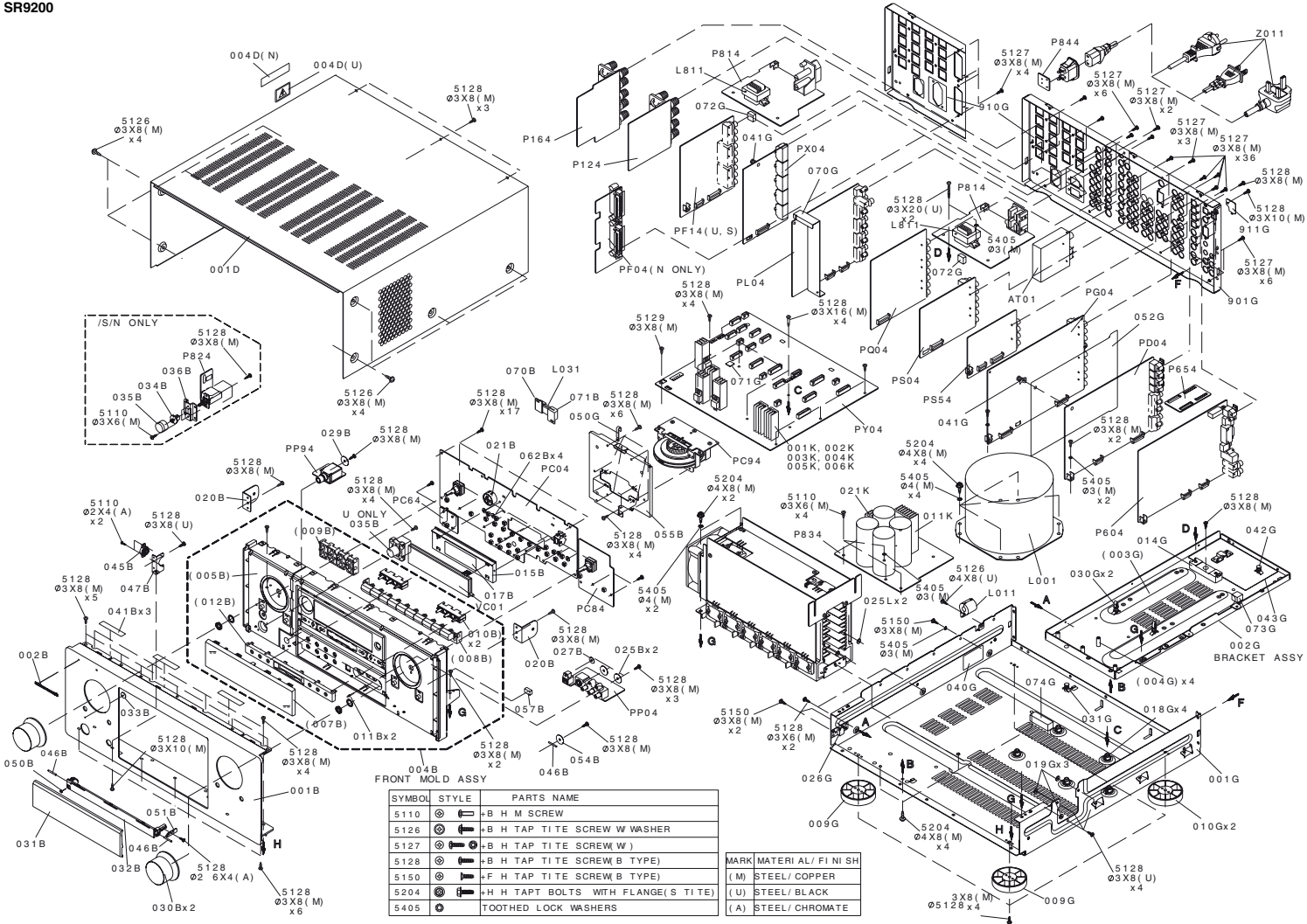
39	P17/	I/O	O	ADCAL	L	L	ADC
40	PE0	I/O	O	DATAODIR		L	DIR
41	PE1	I/O	O	CLKDIR		L	DIR
42	PE2	I/O	O	CEDIR	L	L	DIR
43	PE3	I/O	I	DATAIDIR		L	DIR
44	PE4	I/O	I	XSTATE		-	DIR
45	PE5	I/O	O	XMODE	L	L	DIR
46	PE6	I/O	O	KILLSCI	H	L	Kill CLKto Analog Input IC
47	PE7	I/O	O	_STANDBY	L	L	Standby Power
48	VSS	I	-	GND	-	-	GND
49	PD0	I/O	I/O	EMADU0	-	L	exFROM I/F
50	PVCC1	I	-	PVcc	-	-	+5V
51	PD1	I/O	I/O	EMADU1	-	L	exFROM I/F
52	PD2	I/O	I/O	EMADU2	-	L	exFROM I/F
53	PD3	I/O	I/O	EMADU3	-	L	exFROM I/F
54	PD4	I/O	I/O	EMADU4	-	L	exFROM I/F
55	PD5	I/O	I/O	EMADU5	-	L	exFROM I/F
56	PD6	I/O	I/O	EMADU6	-	L	exFROM I/F
57	PD7	I/O	I/O	EMADU7	-	L	exFROM I/F
58	P30/	I/O	I	PEAK	H	-	Peak Indicator
59	P31/	I/O	O	RSTFL	L	L	Reset FL Driver
60	PVCC2	I	-	PVcc	-	-	+5V
61	P32/SDA1/ IRQ4/	I/O	Int	_PROTECT2	L	-	Emergency Protection
62	VSS	I	-	GND	-	-	GND
63	P33/SCL1/	I/O	O	BTMODE3	-	L	exFROM I/F
64	P34/SDA0/	I/O	SD	IICDATA	-	L	I2C0 for DSP,E2PROM,EXP
65	P35/SCL0/ IRQ5/	I/O	SC	IICCLK	-	L	I2C0 for DSP,E2PROM,EXP
66	P36/RxD4	I/O	O	RSTDSP1	L	L	DSP1
67	NC	-	-	N.C.	-	-	N.C.
68	NC	-	-	N.C.	-	-	N.C.
69	P37/TxD4	I/O	O	RSTDSP2	L	L	DSP1
70	PG0/ IRQ6	I/O	O	BTMODE1	-	L	exFROM I/F
71	PG1/ IRQ7	I/O	O	BTMODE2	-	L	exFROM I/F
72	PG2	I/O	O	_FRWE	L	L	exFROM I/F
73	PG3	I/O	O	_FROE	L	L	exFROM I/F
74	PG4	I/O	O	FREXTMEM	-	L	exFROM I/F
75	_WDTOVF	O	No		L	-	WDT OVf Output
76	PLLVCC	I	YES	PLLVCC	-	-	DC supply for PLL (3.3V)
77	PLLCAP	I	YES		-	-	For PLL
78	PCCVSS	I	YES	GND	-	-	GND for PLL
79	RES	I	YES		L	-	Reset
80	MNI	I	NO		-	-	Fix H
81	_STBY	I	NO		L	H	Fix H
82	FWE	I	YES	FWE	H	L	Normal :L, Boot :H
83	XTAL	I	YES		-	-	X'tal (4 or 5M)
84	VCC	I	YES	Vcc	-	-	+3.3V
85	EXTAL	I	YES		-	-	X'tal (4 or 5M)
86	VSS	I	-	GND	-	-	GND
87	OSC1	I	NO		-	-	+3.3V
88	OSC2	I	NO		-	-	N.C.
89	PVCC1	I	YES	PVcc	-	-	+5V
90	PF7/φ	I/O	I	CAL	H	-	Calibration status from ADC
91	VSS	I	YES	GND	-	-	GND
92	PF6	I/O	O	CE ASW	L	L	Analog Switch
93	PF5	I/O	O	CE VOL	L	L	Volume IC
94	PF4	I/O	O	CE VOL-M		L	Volume IC
95	PF3/ IRQ3/	I/O	INT	REQ2	L	-	DSP2
96	PF2	I/O	O	_SPKROFF	L	L	Speaker relay
97	PF1/BUZZ	I/O	O	_BHIGH	L	L	Power Amp
98	PF0/ IRQ2	I/O	INT	REQ1	L	-	DSP1
99	NC	-	-		-	-	N.C.
100	NC	-	-		-	-	N.C.
101	AVCC	I	-	AVcc	-	-	+5V
102	Vref	I	-	Vref	-	-	+5V

103	P40/AN0	I	AD	KEY0	-	-	Front Key
104	P41/AN1	I	AD	KEY1	-	-	Front Key
105	P42/AN2	I	AD	KEY2	-	-	Front Key
106	P43/AN3	I	AD	KEY3	-	-	Front Key
107	P44/AN4	I	AD	PROTECT1	-	-	Protect SPKR
108	P45/AN5	I	AD	MODE1	-	-	CPU mode
109	P46/AN6/DA0	I	AD	MODE2	-	-	CPU mode
110	P47/AN7/DA1	I	I	GYRO-	-	-	Front Gyro
111	P90/AN8	I	I	GYRO+	-	-	Front Gyro
112	P91/AN9	I	I	VOL+	-	-	Front Vol. Encoder
113	P92/AN10	I	I	VOL-	-	-	Front Vol. Encoder
114	P93/AN11	I	I	SEL+	-	-	Front Select. Encoder
115	P94/AN12	I	I	SEL-	-	-	Front Select. Encoder
116	P95/AN13	I	I	HPDET	L	-	HP Jack
117	P96/AN14/DA2	I	I	AVSSDET	H	-	power circuit
118	P97/AN15/DA3	I	I	MLTRC5I	-	-	Multi RC5 IN
119	AVSS	I	-	GND	-	-	GND
120	P70/	I/O	O	STBY LED	L	H*	Standby LED On
121	P71/	I/O	O	RSFL	L	L	Front FL driver
122	P72/	I/O	O	CEFLD	L	L	Front FL driver
123	P73/	I/O	O	BPOSD	L	L	Video Circuit
124	P74/	I/O	O	CEOSD	L	H	Video Circuit
125	P75/SCK3/	I/O	SC	SI0CLK	-	-	Front FL & Video(OSD)
126	P76/RxD3	I/O	O	D_A	-	L	DIR or _ADC sel
127	P77/TxD3	I/O	SO	SI0DATA	-	-	Front FL & Video(OSD)
128	MDO	I	YES	MDO	-	-	+5V

Pin Assignment



7. EXPLODED VIEW AND PARTS LIST
SR9200

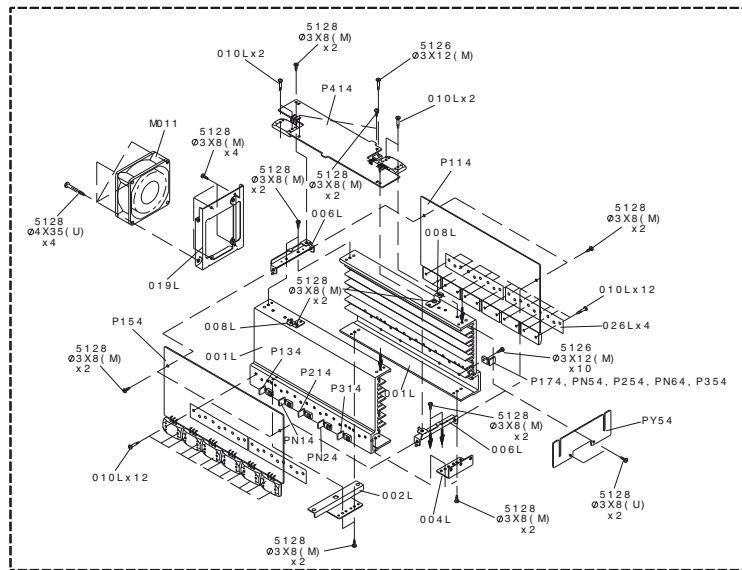
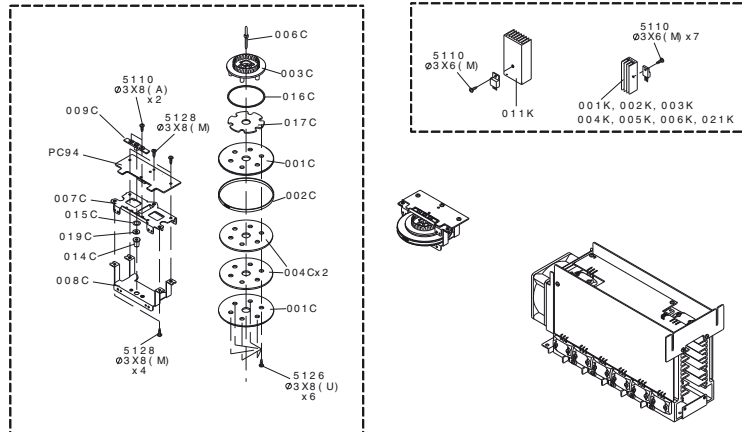


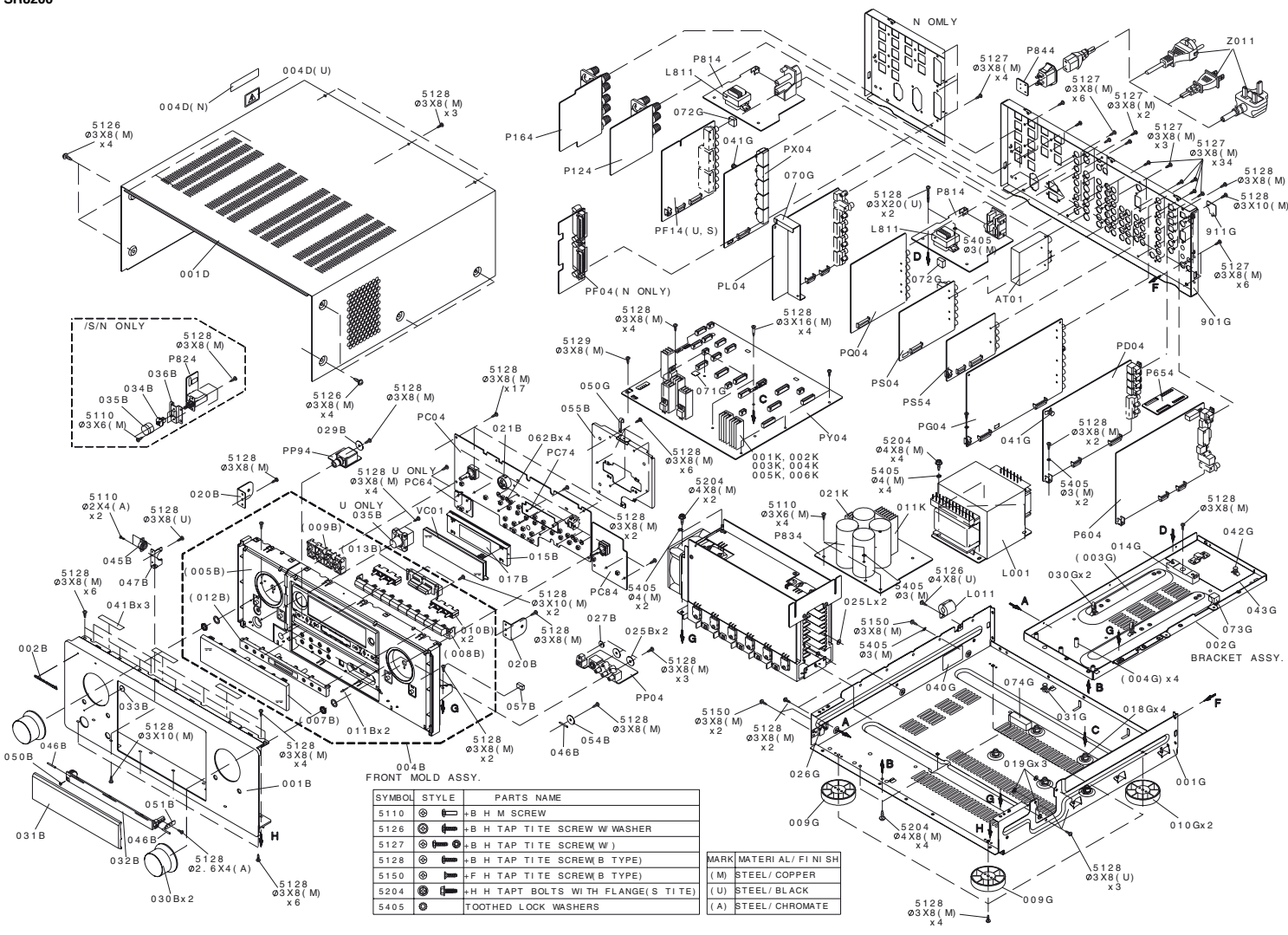
SYMBOL	STYLE	PARTS NAME
5110		+B H M SCREW
5126		+B H TAP TITE SCREW W WASHER
5127		+B H TAP TITE SCREW W)
5128		+B H TAP TITE SCREW B TYPE)
5150		+F H TAP TITE SCREW B TYPE)
5204		+H H TAPT BOLTS WITH FLANGE(S TITE)
5405		TOOTHED LOCK WASHERS

MARK	MATERIAL / FINISH
(M)	STEEL / COPPER
(U)	STEEL / BLACK
(A)	STEEL / CHROMATE

POS. NO	VERS. COLOR	PART NO. (FOR PCS)	DESCRIPTION	PART NO. (MUJ)	POS. NO	VERS. COLOR	PART NO. (FOR PCS)	DESCRIPTION	PART NO. (MUJ)
001B	N/S	9965 000 12755	FRONT PANEL(SR9200 BL)	344J248010	L031		9965 000 12662	FERRITE CORE SSC-40-12	FC90400010
001B	BLK				▲M011		9965 000 01770	D.C MOTOR COOLING FAN	MM01200320
001B	N GLD	9965 000 12771	FRONT PANEL(SR9200 GL)	344J248110	WC01		9965 000 12335	JUMPER LEAD FFC	YU23730530
001B	S GLD								
001B	U BLK				WY01		9965 000 12336	JC01(PC04)-JU04(P604)	YU15200500
001B	U GLD								
002B		4822 459 11172	FRONT PANEL STDBY(BLACK)	344J248020					
002B			FRONT PANEL STDBY (GOLD)	344J248120					
002B		4822 459 11172	MARANTZ BADGE	185J251010					
007B	N/S	9965 000 12756	W N DOW(SR9200)	343J158110					
008B	BLK	9965 000 12757	FUNCTION BUTTON (BLACK)	343J270050	001T	N	9965 000 12761	PACKING	
008B	N GLD	9965 000 12772	FUNCTION BUTTON (GOLD)	343J270150	001T	S		USER GUIDE SR9200 /N	344J851310
008B	SU				001T	U		USER GU DE SR9200 /S	344J851350
008B	GLD				Z004			USER GU DE SR9200 /U	344J851250
009B	BLK	9965 000 12735	DOOR INSIDE BUTTON (BLK)	343J270200			9965 000 12727	REMOTE CONTROLLER	ZK344J0010
009B	N GLD	9965 000 12747	DOOR INSIDE BUTTON (GLD)	343J270120	▲Z011	N	4822 321 11033	RC3200	ZC01803080
009B	SU				▲Z011	S		2P 250V 10A CLASS2	ZC01804100
009B	GLD				▲Z011	U		250V 10A FOR UK	ZC01802100
010B		9965 000 12736	CENTER GOLD BUTTON	343J270030				MAINS CORD	
012B	BLK	9965 000 12758	CENTER ESCUTCHEON(BLK)	344J063010				125V13A ULCSA	
012B	N GLD	9965 000 12773	CENTER ESCUTCHEON(GOLD)	344J063110					
012B	SU								
012B	GLD								
030B	BLK	9965 000 03432	MASTER KNOB (BLACK)	312J154010					
030B	GLD	9965 000 01391	MASTER KNOB (GOLD)	312J154020					
031B	BLK	9965 000 12739	DOOR PANEL(BL)	343J162010					
031B	N GLD	9965 000 12750	DOOR PANEL(GL)	343J162110					
031B	SU								
031B	GLD								
032B	BLK	9965 000 12740	DOOR HINGE ARM(BL)	343J002010					
032B	N GLD	9965 000 12751	DOOR HINGE ARM(GL)	343J002110					
032B	SU								
032B	GLD								
033B		9965 000 01393	STANDBY LENS	312J355010					
034B	N/S	9965 000 01394	POWER BUTTON JOINT	312J125010					
035B	BLK	9965 000 01975	POWER SW BUTTON (BLACK)	255W270010					
035B	N/S	9965 000 01395	POWER SW BUTTON (GOLD)	255W270110					
035B	GLD								
035B	SU								
035B	GLD								
045B		4822 529 10215	DOOR DUMPER	320J270040					
057B		4822 526 20213	DOOR MAGNET	391H130300					
001C	BLK	4822 410 11675	ESUTCHEON GYRO ESC. (UP & DOWN)BL	271K305500					
001C	GLD	4822 410 11676	ESUTCHEON GYRO ESC. (UP & DOWN)GL	290J063010					
002C	BLK	9965 000 12759	GYRO RUBBER RING (BL)	344J066010					
002C	N GLD	9965 000 12774	GYRO RUBBER RING (GL)	344J066110					
002C	SU								
002C	GLD								
003C		9965 000 01397	FLYWHEEL GYRO BASE	290J273110					
016C		9965 000 12760	RUBBER RING FOR GYRO	344J066020					
009G		4822 462 42045	LEG (FRONT SIDE)	183J057010					
010G		4822 462 42048	LEG (REAR SIDE)	183J057110					
024G	N/S		REAR SIDE STOPPER (IEC)	322J114010					
026G	N/S		FRONT SIDE STOPPER (IEC)	322J114010					
911G			USB HALL COVER	343J053010					
AT01	N	9965 000 12333	VHF TUNER MODULE	AV01203040					
AT01	S		TFCE1LXXXX	AV01203030					
AT01	U		TFCE1U118A	AV01202280					
▲L001	N/S	9965 000 12762	MAINS TRANSF AC230V	TS42002210	001D	BLK		TOP COVER (BLACK)	343J257010
▲L001	U		MAINS TRANSF AC120V	TS42002200	001D	GLD		TOP COVER (GOLD)	343J257110
L011			FERRITE CORE TFCK-23-11-14	FC50230010	001S			PACKING CASE (SR9200)	344J801010
L021	N/S	4822 526 10691	FERRITE CORE TFCK-16-8-13	FC50160030	002S			CUSHION (LEFT)	343J809010
					003S			CUSHION (RIGHT)	343J809020

NOTE: *top PART IS LISTED FOR REFERENCE ONLY. MARANTZ WILL NOT SUPPLY THESE PARTS

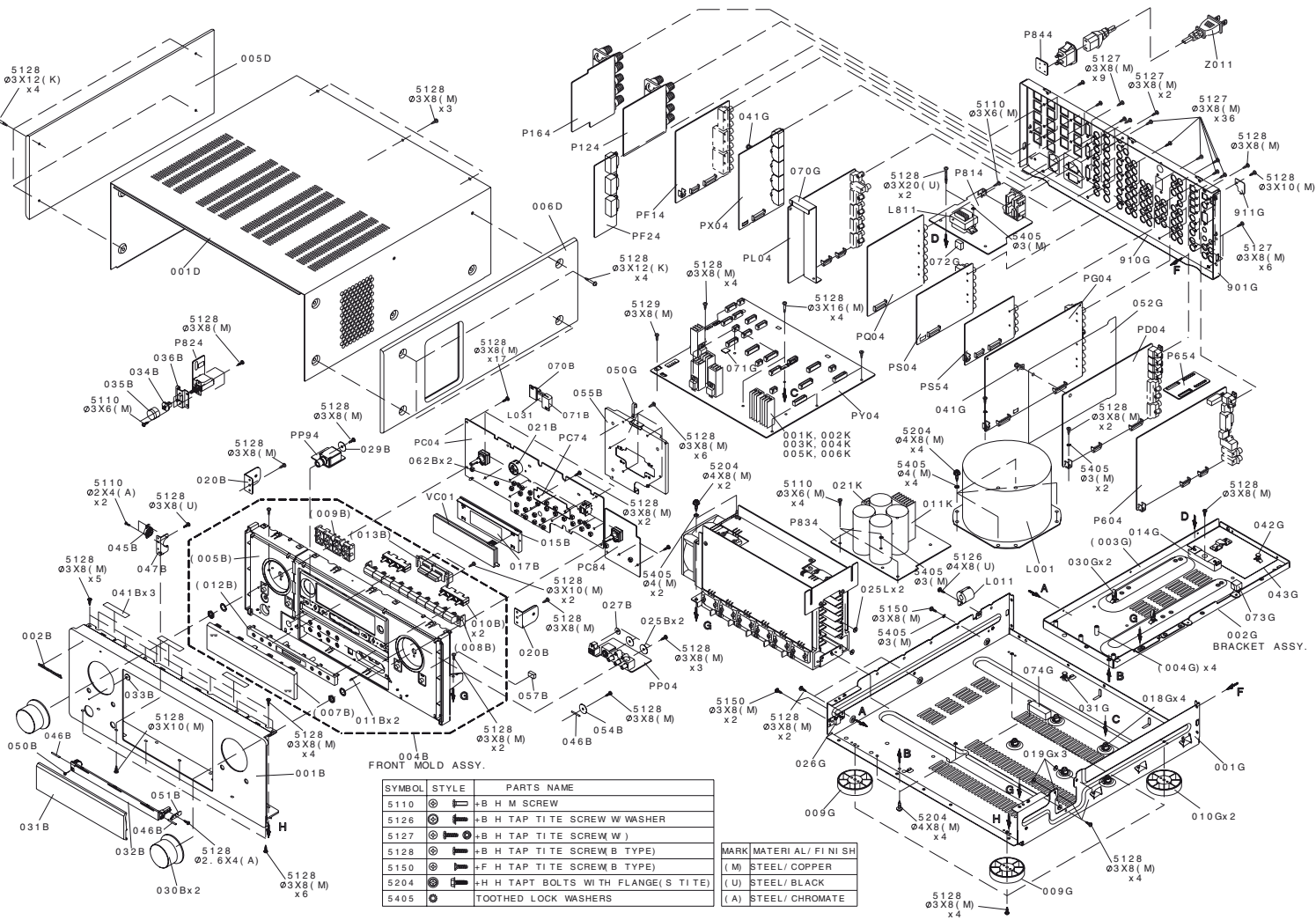




SYMBOL	STYLE	PARTS NAME
⊕	+	B H M SCREW
⊕	+	B H TAP TITE SCREW W WASHER
⊕	+	B H TAP TITE SCREW W)
⊕	+	B H TAP TITE SCREW B TYPE)
⊕	+	F H TAP TITE SCREW B TYPE)
⊕	+	H H TAP BOLTS WITH FLANGE(S TITE)
⊕	+	TOOTHED LOCK WASHERS

MARK	MATERIAL / FINISH
(M)	STEEL / COPPER
(U)	STEEL / BLACK
(A)	STEEL / CHROMATE

PS9200

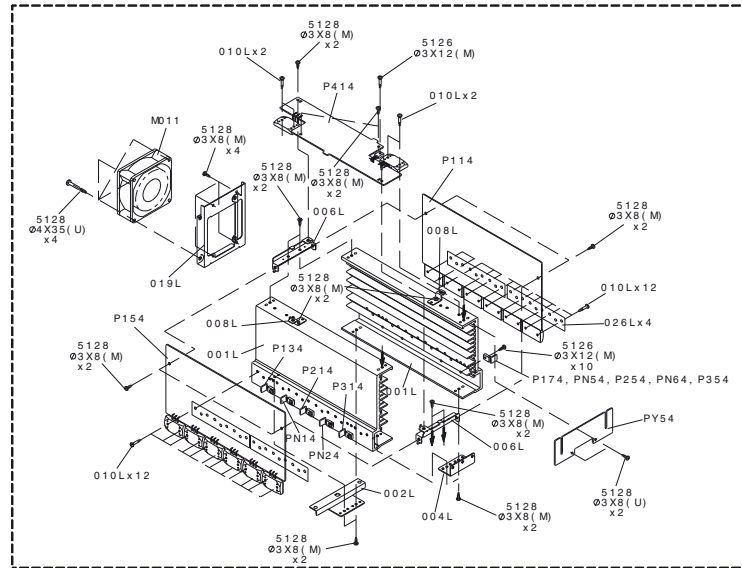
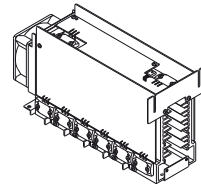
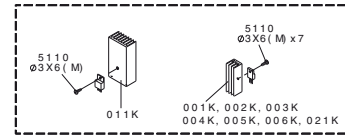


SYMBOL	STYLE	PARTS NAME
⊕	—	PH M SCREW
⊕	—	PH TAP TITE SCREW W WASHER
⊕	—	PH TAP TITE SCREW W
⊕	—	PH TAP TITE SCREW B TYPE
⊕	—	PH TAP TITE SCREW B TYPE
⊕	—	PH TAP BOLTS WITH FLANGE(S TITE)
⊕	—	TOOTHED LOCK WASHERS

MARK	MATERIAL/ FINISH
(M)	STEEL/ COPPER
(U)	STEEL/ BLACK
(A)	STEEL/ CHROMATE

POS. NO	VERS. COLOR	PART NO. (FOR PCS)	DESCRIPTION	PART NO. (MUJ)
001B			FRONT PANEL	344J248140
002B			MARANTZ BADGE	185J25 010
007B			WINDOW	343J158210
008B			FUNCTION BUTTON	343J270150
009B			DOOR INSIDE BUTTON	343J270120
010B			CENTERGOLD BUTTON	343J270030
012B			CENTER ESCUTCHEON	343J063110
013B			TUNING BUTTON	343J270140
030B			MASTER KNOB	312J154020
031B			DOOR PANEL	343J162110
032B			DOOR HINGE ARM	343J002110
033B			STANDBY LENS	312J355010
034B			POWER BUTTON JOINT	312J125010
045B			DOOR DUMPER	391H130030
057B			DOOR MAGNET	271K305500
005D			SIDE PANEL (L)	344J249110
006D			SIDE PANEL (R)	344J249120
009G			LEG (FRONT SIDE)	183J057010
010G			LEG (REAR SIDE)	183J057110
024G			REAR SIDE STOPPER (IEC)	322J114010
026G			FRONT S DE STOPPER (IEC)	322J114010
911G			USB HALL COVER	343J053010
▲ L001			MA NS TRANSF AC100V	TS42002220
L011			FERRITE CORE TFCK-23-11-14	FC50230010
L021			FERRITE CORE TFCK-16-8-13	FC50160030
L031			FERRITE CORE SSC-40-12	FC90400010
▲ M011			D.C MOTOR COOLING FAN	MM01200320
WC01			JUMPER LEAD - FFC JC01(PC04)-JU04(P604)	YU23730530
PACKING				
001T			USER GUIDE PS9200	344J851110
Z004			REMOTE CONTROLLER RC3200	ZK344J0010
▲ Z011			MA NS CORD 2P 125V 12A	ZC01801050
NOT STANDARD SPARE PARTS				
001D			TOP COVER GOLD (FOR SIDE PANEL)	343J257140
001S			PACKING CASE (PS9200)	344J80 020
002S			CUSHION (LEFT)	343J809010
003S			CUSHION (RIGHT)	343J809020

NOTE: "199" PART IS LISTED FOR REFERENCE ONLY. MARANTZ WILL NOT SUPPLY THESE PARTS



8. SERVICE PROGRAM

Factory Mode

With the following procedure, the Tracking Point, which is necessary for the adjustment and measurement of the tuner, can be memorized.

1. Turn on the unit, press **DVD**, **TUNER** and **MULTI ROOM** key simultaneously more than three seconds.
2. "FACTORY MODE" will be displayed on the FLD for two seconds and the following frequencies will be stored in the Preset Memory.

Band	Version	P1	P2	P3	P4
FM AUTO	/U /K/ S /N	90.0	98.0	106.0	87.5
[MHz]	/F	78.0	83.0	88.0	76.0

Band	Scan Step	P5	P6	P7	P8	P9	P10	P11	P12	Other
AM [kHz]	10 kHz (U)	600	1000	1400	520					No Preset
	9kHz(/F/N/K/S)	603	999	1404	531					
	MW / LW	603	999	1404	171	207	270	152	531	

Microprocessor (CPU), DSP Version and FLD Segment Check Mode

Turn the unit into the Factory Mode (See above) first. Each time **DISPLAY** key is pressed or RC-5 code **161500 (Display)** is entered, information shown on the FLD changes in the following order. Software versions of μ -com and DSP can be seen and FLD segments can be checked.

1. Model Name is displayed like "SR9200", "SR8200", "PS9200:.
2. Software version of QU01(CPU) is displayed in the following format.

M	A	I	N		V	0	0	0	4	2	6		0	U
					Year	Month			Date			No Ver.		

3. Software Serial Number that is written in the factory is displayed.

M	Z	X	X	X	X	X	X	X	X	X	X	X	X	X	X
---	---	---	---	---	---	---	---	---	---	---	---	---	---	---	---

4. Software Type Number is displayed

S	O	F	T		T	Y	P	E					X	X	
														(XX is displayed in Hex)	

5. Group Type Number of the code that is written in the DSP's external ROM is displayed.

C	O	D	E	-	G		T	Y	P	E			X	X
---	---	---	---	---	---	--	---	---	---	---	--	--	---	---

6. 1G and 2G of the FLD is lighted each other. (Character part of Dot Matrix stays off.)
7. Dot Matrix part of the FLD lights in the checker pattern. (Other part stays off.)
8. Code ID of the code that is written in the DSP's external ROM is displayed.

C	D		X	X			X	X	X	X	X	X	X	X	
				Code No.					Device ID	Code Sig ID	Code Type ID	Version ID			

9. Returns to the step 1 and repeats the sequence.
10. Press **DISPLAY** button to quit this mode.

Note: Step4, 5 is to check if CPU software is capable of DSP code. "Software Type No" is to show what "DSP Code Group" CPU is capable of. And vice versa.

Step 8 is to manage the 16 codes for DSP

* When the unit is once turned into Factory Mode, the unit keeps this mode until the main power is turned off. (Turning into stand-by mode does not make it quit from Factory Mode.) When the unit quits from Factory Mode, Information in the memory is also cleared and the unit returns to the status when it is out from the factory.

Product Reset

To reset the back up memory of the unit into the default status, follow the procedure below.

1. Turn of the unit and press **SELECT** and **AUX1** keys simultaneously more than three seconds.
2. After "DEFAULT" is displayed on FLD, power is turned off once and turned of again, EEPROM is cleared to the default status, μ -com is reset and the unit returns to the normal status. (Software Serial Number will not be cleared.)

Note: When the unit is shipped from the factory, the procedure above must be done to set the unit to initial status after the tests.

9. UPDATE FIRMWARE

Software for CPU and DSP can be updated.

Have *SR9200CDR update disc.

There are two mode of download, regarding to the target of software as bellow.

Mode 1: Download DSP's software to 4M Flash-ROM.

This mode is to update the software for DSP.

The target devise is 4M -Flash ROM (Q671) on P604.

SR9200&8200 need to be set download condition, by three front keys.

Mode 2: Download CPU's software to internal Flash-ROM.

This mode is to update the software for DSP.

The target devise is internal flash ROM of CPU (QU01) on P604.

The unit needs to be set to writing condition, by pushing internal switch from back-panel.

The following items are required for updating.

RS232C Dsub-9 pin cable (female to female/Straight type)

PC (Windows 98, NT, ME, 2000) with RS-232C port.

Upgrade software to CPU.

Upgrade software to DSP.

Use RS232C Dsub-9 pin cable (female to female/Straight type) to connect PC and the unit.

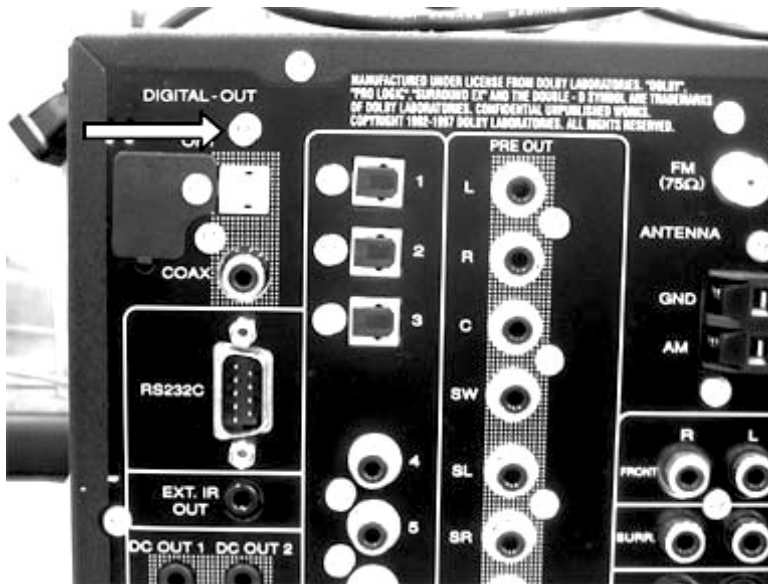
COM port on PC needs to be set by dialog box for each program. COM port can be set from COM1 to COM5.

Download Firmware for DSP (Mode 1)

1. Put the "DSP upgrade" folder into anywhere on your PC's hard disc.
2. Connect PC and the unit with the RS-232C cable.
3. Turn on the unit.
4. Press **ENTER**, **MUTE** and **MULTI-SPK** buttons simultaneously more than 5 seconds to turn the unit into Loading Mode.
5. "LOADING MODE" will be shown on FLD.
6. Launch "UpgradeDSP.exe" on PC.
7. Set the Baud Rate to 38400 then click **Start communication** button. If the connection is made successfully, a dialog box saying "Success to connect" appears and "CONNECTED" is displayed on FLD.
8. Click **Send the DSP codes** button on the dialog box. Progress status of downloading will be shown on PC and "LOADING" is displayed on FLD.
9. If downloading is completed successfully, "COMPLETED" is displayed on FLD. And a dialog box saying "Finished the DSP code transmitting" appears. Click **OK** and then click **CLOSE** to close the application.
10. Turn off the unit.

Download Firmware for CPU (Mode 2)

1. Put the "CPU upgrade" folder into anywhere on your PC's hard disc.
2. Connect PC and the unit with the RS-232C cable.
3. Remove the screw on the backside of the unit.



4. Insert a thin rot to the screw hole and push the switch (SU02) inside to turn on the switch.
5. Turn on the power of the unit. (Confirm that the stand-by LED lights in green so the unit is in the boot mode.)
6. Launch "H8Download.exe" on PC.
7. Click **other files...** button in the dialog box to specify the file (XXXX.mot) to be upload.
8. Click **Connect** button. If the connection with the H8 μ -com is successfully made, a dialogue box saying "Success to the H8 micro processor connection" appears. If the connection fails, error message will appear.
9. Click **Send** button to start update.
10. If the firmware is updated successfully, a dialog box saying "Finished the firmware program sending" appears.
11. Click **CLOSE** button to close the application.
12. Disconnect Mains power cord.
13. Turn off the internal switch that has been turned on at step 3. Put on the screw.
14. Turn on the unit.

Firmware Version Check

To check the versions of the firmware, see "Microprocessor (CPU), DSP Version and FLD Segment Check Mode" in "SERVICE PROGRAM" section.

10. POWER AMPLIFIER ADJUSTMENT

Idling Current Alignment

1. Each of the cement resistors (R132, R182...R432) are provided with the three test points. Set a digital Voltage meter to DC voltage input, connect the meter to the test points at both ends among the three test points on the cement resistors.
2. After the setup above, turn on the main switch and heat up the amplifier about 10 minutes.
3. Adjust variable resistors (R123, R173...R423) according to the digital voltmeter readings. The target setting value is 2.15 mV \pm 0.05 mV (10.8 mA) for each channels.

Settings: Master Volume --- Minimum

Speaker out --- No Load

Step	Power	Channel	Alignment Point	Measurement Point	Alignment Value
1	Power ON after	Front L	R123	R132	-----
		Center	R173	R182	
		Front R	R223	R232	
		Surr. L	R273	R282	
		Surr. R	R373	R382	
		SB L	R323	R332	
		SB R	R423	R432	
2	After XX minutes			R***:0.1ohms x 2	See table for alignment value

Time Table of Idling Current Rise

After Turning ON	Measurement Voltage (R***)	Idling Current
10 min.	2.15 mV	10.8 mA
15 min.	2.13 mV	10.7 mA
20 min.	2.07 mV	10.4 mA
25 min.	2.03 mV	10.2 mA
30 min.	2.00 mV	10.0 mA
40 min.	2.00 mV	10.0 mA

* The Time-Current values in the chart above are from measurement with a unit whose idling current has already adjusted to 10.0mA.

AVSS Function Check

AVSS is the function that switches B voltage automatically depending on the volume of the input signal.

To check whether B voltage is switched or not, follow the procedure below.

1. Check if B voltage is switched to High.

If maximum power can be output, it is OK. IF wave form is clipped and maximum power is not output, it is NG.

2. Check if B voltage is switched to Low.

After adjustment of idling current, if power consumption is within 60W 10W under power on, no signal condition. If it is over 90W, it is NG. It is very possible that B voltage stays High.

Note: Once B voltage is switched to High, it is kept High for 1 minutes. So, power consumption can be over 90W with no signal condition for 1 minute if B voltage has been switched to High.

B voltage is Low upon turning on the power (initial status) if there is no signal input.

Cooling Fan Check

There is three speeds for the cooling fan, stop, Low Speed and High Speed, depending on the temperature of the heat sink.

Heat sink temperature is monitored with RN62, RN86, thermo sensors for cooling fan. If heat sink temperature becomes higher, resistance of the sensors also becomes higher. To check the cooling fan, connect test resistors to JN62, JN86 where the thermo sensors are connected. There are two ways of checking. Remove either sensor and connect the testresister

	Fan Speed	Test Resister Value	Temperature
1	Stop	0 – 220Ω (0Ω)	Under 60 °C
2	Low Speed	470 – 2.2 kΩ (1.0 kΩ)	60 – 80 °C
3	High Speed	4.7kΩ - (10 kΩ)	Over 80 °C

Overheat Protection Check

If monitored temperature of the heat sink goes overheat, microcomputer shuts down the unit to stand-by mode. Heat sink temperature is monitored with RN47, RN49, thermo sensors for overheat. To check the overheat protection function, connect test resistors to JN47, JN49 where the thermo sensors are connected.

	Function	Test Resister Value	Temperature
1	Normal	0 – 220Ω (0Ω)	Under 110 °C
2	Heat Protection (Stand-by)	4.7kΩ - (10 kΩ)	Over 110 °C

If overheat is detected, 2nd pin of J501 is led to GND by a transistor. Normally, it is high impedance (open-collector).

11. SYSTEM ERROR

The CPU inside the unit monitors peripheral interfaces and if a trouble is detected the following information is displayed on the FLD.

1. Trouble in DSP1

If communication with DSP1(Q610) is troubled more than 2 seconds, FLD shows below.

E	R	R	O	R		D	S	P	1		R	O	M	
---	---	---	---	---	--	---	---	---	---	--	---	---	---	--

* This display stays and sound is muted.

2. Trouble in DSP2

If communication with DSP2(Q640) is troubled more than 2 seconds, FLD shows below.

E	R	R	O	R		D	S	P	2		R	O	M	
---	---	---	---	---	--	---	---	---	---	--	---	---	---	--

* This display stays and sound is muted.

3. Trouble in ADC

If CAL signal from A/D converter(QK51, QK52) keeps high more than 2 seconds, FLD shows below.

E	R	R	O	R		A	D	C						
---	---	---	---	---	--	---	---	---	--	--	--	--	--	--

* In analog input mode, this display stays and sound is muted.

4. Trouble in EEPROM

If data from EEPROM(QU70) does not match, FLD shows below.

E	R	R	O	R		E	2	P						
---	---	---	---	---	--	---	---	---	--	--	--	--	--	--

* After displaying it, Back-up Data is reset to default.

5. Trouble in EEPROM I/F

If communication with EEPROM(QU70) is troubled more than 2 seconds, FLD shows below.

E	R	R	O	R		E	2	P		I	F			
---	---	---	---	---	--	---	---	---	--	---	---	--	--	--

6. Trouble in 5V Supply

If 5V supply to P604(DSP/CPU PCB) is troubled, FLD shows below.

E	R	R	O	R		P	O	W	5					
---	---	---	---	---	--	---	---	---	---	--	--	--	--	--

7. Trouble in Power Amplifier (1)

If DC offset, over-current, over-heat, trouble in main transformer is detected, FLD shows below.

P	R	O	T	E	C	T								
---	---	---	---	---	---	---	--	--	--	--	--	--	--	--

* If a trouble is detected upon power on, CPU turns off the speaker relay. And if the trouble is not recovered within 2 seconds, CPU turns the unit into stand-by. If DC offset or over-current is detected on power on status, the speaker relay is turned off, and if over-heat, trouble in main transformer is detected, the unit turns into stand-by immediately.

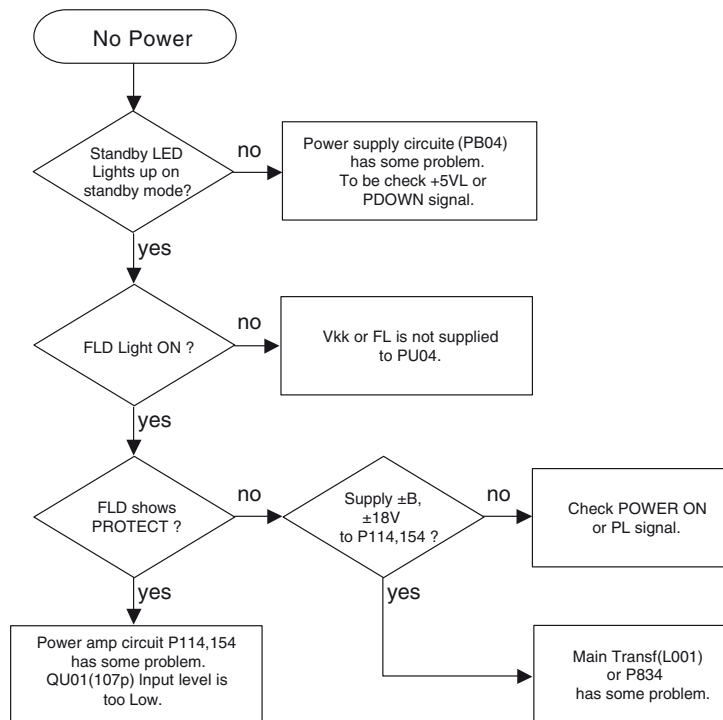
8. Trouble in Power Amplifier (2)

If a trouble in $\pm B$ power supply or $\pm 18V$ power supply is detected, the unit behaves like the followings.

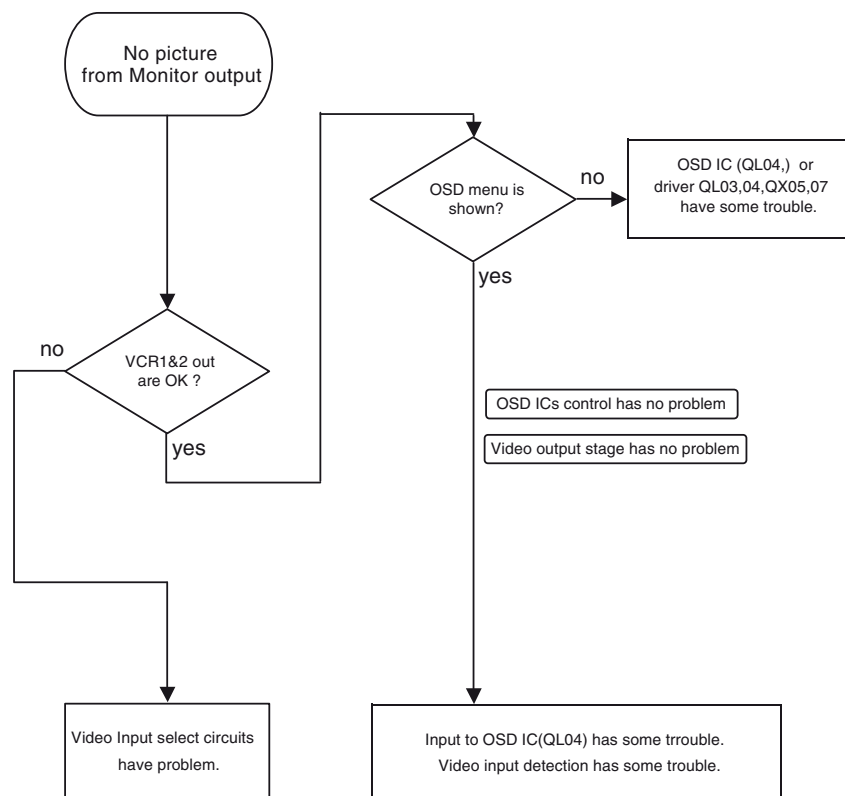
- 1) If a trouble is detected upon power on and the trouble is not recovered within 2 seconds, the unit turns into stand-by.
- 2) If a trouble is detected in power on status, the unit turns into stand-by immediately.

12. TROUBLE SHOOTING

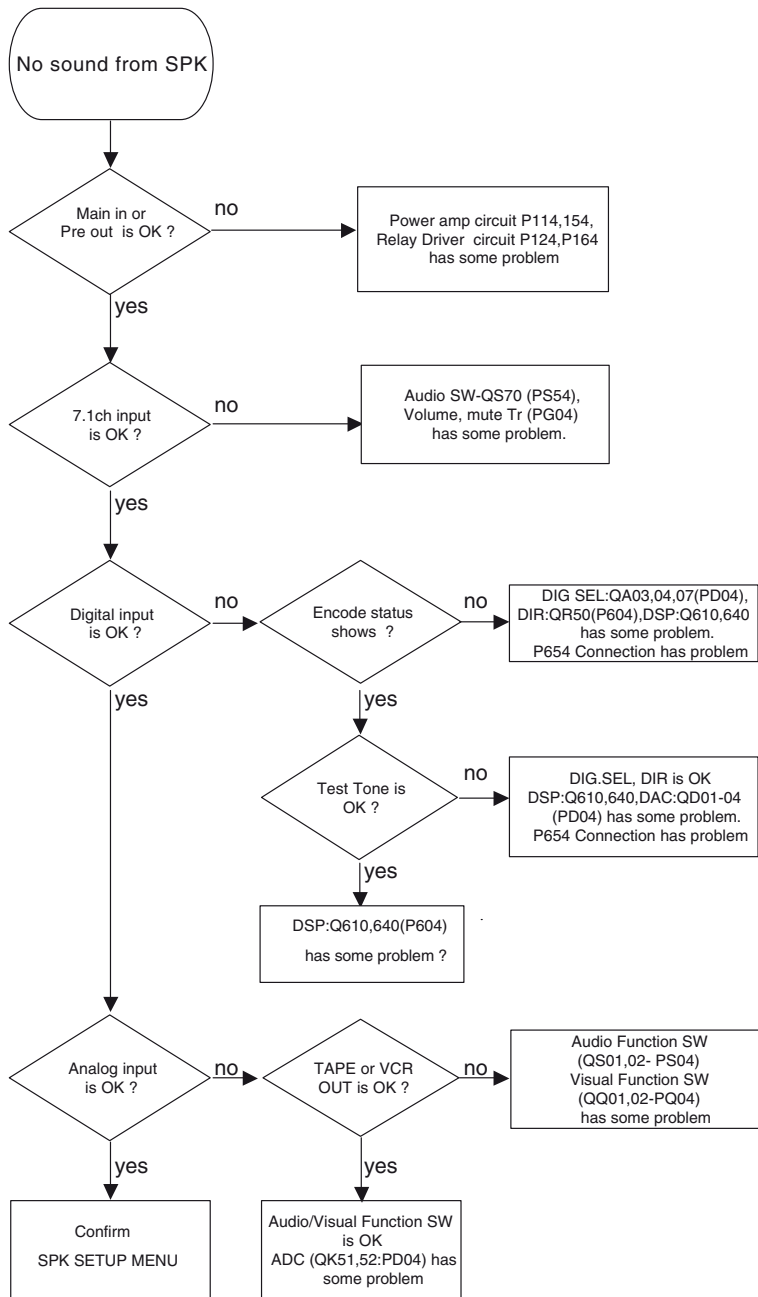
No Power



No Picture



NoSound



13. ELECTRICAL PARTS LIST

ASSIGNMENT OF COMMON PARTS CODES.

RESISTORS

R***: 1) GD05xxx140, Carbon film fixed resistor, ±5% 1/4W
 R***: 2) GD05xxx160, Carbon film fixed resistor, ±5% 1/6W

① Resistance value

Examples ;

① Resistance value

0.1 Ω 001 10 Ω 100 1 kΩ 102 100 kΩ 104
 0.5 Ω 005 18 Ω 180 2.7 kΩ 272 680 kΩ 684
 1 Ω 010 100 Ω 101 10 kΩ 103 1 MΩ 105
 6.8 Ω 068 390 Ω 391 22 kΩ 223 4.7 MΩ 475

Note : Please distinguish 1/4W from 1/6W by the shape of parts used actually.

CAPACITORS

C***: CERAMIC CAP.

3) DD1xxx370, Ceramic capacitor
 Disc type
 Temp.coeff.P350 ~ N1000, 50V
 ② Capacity value
 ③ Tolerance

Examples ;

② Tolerance (Capacity deviation)

±0.25 pF 0
 ±0.5 pF 1
 ±5% 5

* Tolerance of COMMON PARTS handled here are as follows :

0.5 pF ~ 5 pF ±0.25 pF
 6 pF ~ 10 pF ±0.5 pF
 12 pF ~ 560 pF ±5%

③ Capacity value

0.5 pF 005 3 pF 030 100 pF 101
 1 pF 010 10 pF 100 220 pF 221
 1.5 pF 015 47 pF 470 560 pF 561

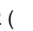
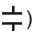
C*** : CERAMIC CAP.

4) DK16xxx300, High dielectric constant ceramic capacitor
 Disc type
 Temp.chara. 2B4, 50V
 ④ Capacity value

Examples ;

④ Capacity value

100 pF 101 1000 pF 102 10000 pF 103
 470 pF 471 2200 pF 222

C***: 5) ELECTROLY CAP. (, 6) FILM CAP. ()

5) EAxxx10, Electrolytic capacitor
 One-way lead type, Tolerance ±20%
 ⑤ Capacity value
 ⑥ Working voltage

Examples ;

⑤ Capacity value

0.1 μF 104 4.7 μF 475 100 μF 107
 0.33 μF 334 10 μF 106 330 μF 337
 1 μF 105 22 μF 226 1100 μF 118
 2200 μF 228

⑥ Working voltage

6.3V 006 25V 025
 10V 010 35V 035
 16V 016 50V 050

6) DF15xxx350 → Plastic film capacitor
 DF15xxx310 → One-way type, Mylar ±5% 50V
 DF16xxx310 → Plastic film capacitor
 One-way type, Mylar ±10% 50V
 ⑦ Capacity value

Examples ;

⑦ Capacity value

0.001 μF (1000 pF) 102 0.1 μF 104
 0.0018 μF 182 0.56 μF 564
 0.01 μF 103 1 μF 105
 0.015 μF 153

NOTE : 1) The above CODES (R***, R***, C***, C*** and C***) are omitted on the schematic diagram in some case.
 2) On the occasion, be confirmed the common parts on the parts list.
 3) Refer to "Common Parts List" for the other common parts (R105, DD4, DK4).

NOTE ON SAFETY FOR FUSIBLE RESISTOR :

The suppliers and their type numbers of fusible resistors are as follows;

1. KOA Corporation

Part No. (MJJ)	Type No. (KOA)	Description
NH05xxx140	RF25SxxxΩJ	(±5% 1/4W)
NH05xxx120	RF50SxxxΩJ	(±5% 1/2W)
NH85xxx110	RF73B2AxxxΩJ	(±5% 1/10W)
NH95xxx140	RF73B2ExxxΩJ	(±5% 1/4W)

* Resistance value * Resistance value
 (0.1 Ω – 10 kΩ)

2. Matsushita Electronic Components Co., Ltd

Part No. (MJJ)	Type No. (MEC)	Description
NF05xxx140	ERD-2FCJxxx	(±5% 1/4W)
RF05xxx140		
NF02xxx140	ERD-2FCGxxx	(±2% 1/4W)
RF02xxx140		

* Resistance value * Resistance value

Examples ;

* Resistance value

0.1 Ω 001 10 Ω 100 1 kΩ 102 100 kΩ 104
 0.5 Ω 005 18 Ω 180 2.7 kΩ 272 680 kΩ 684
 1 Ω 010 100 Ω 101 10 kΩ 103 1 MΩ 105
 6.8 Ω 068 390 Ω 391 22 kΩ 223 4.7 MΩ 475



ABBREVIATION AND MARKS

ANT : ANTENNA	BATT. : BATTERY
CAP. : CAPACITOR	CER. : CERAMIC
CONN. : CONNECTING	DIG. : DIGITAL
HP : HEADPHONE	MIC. : MICROPHONE
μ-PRO : MICROPROCESSOR	REC. : RECORDING
RES. : RESISTOR	SPK : SPEAKER
SW : SWITCH	TRANSF. : TRANSFORMER
TRIM. : TRIMMING	TRS. : TRANSISTOR
VAR. : VARIABLE	X'TAL : CRYSTAL


NOTE ON FUSE :

Regarding to all parts of parts code **FS20xxx2xx**, replace only with Wickmann-Werke GmbH, Type 372 non glass type fuse.

NOTE ON SAFETY :

Symbol  Fire or electrical shock hazard. Only original parts should be used to replaced any part marked with symbol . Any other component substitution (other than original type), may increase risk of fire or electrical shock hazard.

安全上の注意 :

 がついている部品は、安全上重要な部品です。必ず指定されている部品番号の部品を使用して下さい。

SR9200

POS. NO	VERS. COLOR	PART NO. (FOR PCS)	DESCRIPTION	PART NO. (MJJ)	POS. NO	VERS. COLOR	PART NO. (FOR PCS)	DESCRIPTION	PART NO. (MJJ)
			P114- POWER AMP FL FR SBL CIRCUIT BOARD		R113		4822 052 10471	470Ω ±5% 1/6W	GG05471160
			P114- CAPACITORS		R114		4822 052 10471	470Ω ±5% 1/6W	GG05471160
C101		9965 000 02015	ELECT.22μF ±20% 25V ARS	OA22602540	R117		4822 052 10151	150Ω ±5% 1/6W	GG05151160
C102		4822 126 14166	FILM,APSV 331J, 330pF(TP) 100V PP	OF15331540	R118		4822 052 10151	150Ω ±5% 1/6W	GG05151160
C103		4822 124 90355	ELECT.100μF ±20% 50V RA-2	OA10705020	R123		4822 100 11452	TRIM.VARI.470 VERTICAL	RA04710760
C104		9965 000 04966	FILM,APSV 122J, 1200pF(TP) 100V PP	OF15122540	R124		4822 052 10101	100Ω ±5% 1/6W	GG05101160
C105		4822 124 22571	ELECT.10μF ±20% 50V RA-2	OA10605020	R125		4822 052 10101	100Ω ±5% 1/6W	GG05101160
C106		9965 000 02644	ELECT.220μF ±20% 100V RA-2	OA22710020	R126		4822 050 21022	1kΩ ±5% 1/4W	GG05102140
C107		9965 000 02644	ELECT.220μF ±20% 100V RA-2	OA22710020	R127		4822 052 10479	47Ω ±5% 1/4W	GG05470140
C111		9965 000 01561	MICA,10pF D 250WV AUDIO	DF31100520	R128		4822 052 10479	47Ω ±5% 1/4W	GG05470140
C112		4822 123 30086	MICA,47pF ±5% 500V FE922H470JS	DF35470520	R129		4822 052 10109	10Ω ±5% 1/4W	GG05100140
C113		4822 123 30086	MICA,47pF ±5% 500V FE922H470JS	DF35470520	R130		4822 052 10109	10Ω ±5% 1/4W	GG05100140
C148		4822 124 41535	ELECT.100μF ±20% 25V RA-2	OA10702520	R131		4822 116 83929	220Ω ±5% 1/4W	GG05221140
C149		4822 124 41535	ELECT.100μF ±20% 25V RA-2	OA10702520	▲ R132		9965 000 01764	FIXED,0.10Ω ±10% 5W X2 RGC55 W/TP	BZ10102020
C201		9965 000 02015	ELECT.22μF ±20% 25V ARS	OA22602540	R142		4822 052 10109	10Ω ±5% 1/4W	GG05100140
C202		4822 126 14166	FILM,APSV 331J, 330pF(TP) 100V PP	OF15331540	R143		4822 052 10109	10Ω ±5% 1/4W	GG05100140
C203		4822 124 90355	ELECT.100μF ±20% 50V RA-2	OA10705020	R149		4822 052 10109	10Ω ±5% 1/4W	GG05100140
C204		9965 000 04966	FILM,APSV 122J 1200pF(TP) 100V PP	OF15122540	R206				
C205		4822 124 22571	ELECT.10μF ±20% 50V RA-2	OA10605020	}		4822 052 10331	330Ω ±5% 1/4W	GG05331140
C206		9965 000 02644	ELECT.220μF ±20% 100V RA-2	OA22710020	R209				
C207		9965 000 02644	ELECT.220μF ±20% 100V RA-2	OA22710020	R213		4822 052 10471	470Ω ±5% 1/6W	GG05471160
C211		9965 000 01561	MICA,10pF D 250WV AUDIO	DF31100520	R214		4822 052 10471	470Ω ±5% 1/6W	GG05471160
C212		4822 123 30086	MICA,47pF ±5% 500V FE922H470JS	DF35470520	R217		4822 052 10151	150Ω ±5% 1/6W	GG05151160
C301		9965 000 02015	ELECT.22μF ±20% 25V ARS	OA22602540	R218		4822 052 10151	150Ω ±5% 1/6W	GG05151160
C302		4822 126 14166	FILM,APSV 331J, 330pF(TP) 100V PP	OF15331540	R223		4822 100 11452	TRIM.VARI.470 VERTICAL	RA04710760
C303		4822 124 90355	ELECT.100μF ±20% 50V RA-2	OA10705020	R224		4822 052 10101	100Ω ±5% 1/6W	GG05101160
C304		9965 000 04966	FILM,APSV 122J 1200pF(TP) 100V PP	OF15122540	R225		4822 052 10101	100Ω ±5% 1/6W	GG05101160
C305		4822 124 22571	ELECT.10μF ±20% 50V RA-2	OA10605020	R226		4822 050 21022	1kΩ ±5% 1/4W	GG05102140
C306		9965 000 02644	ELECT.220μF ±20% 100V RA-2	OA22710020	R227		4822 052 10479	47Ω ±5% 1/4W	GG05470140
C307		9965 000 02644	ELECT.220μF ±20% 100V RA-2	OA22710020	R228		4822 052 10479	47Ω ±5% 1/4W	GG05470140
C311		9965 000 01561	MICA,10pF D 250WV AUDIO	DF31100520	R229		4822 052 10109	10Ω ±5% 1/4W	GG05100140
C312		4822 123 30086	MICA,47pF ±5% 500V FE922H470JS	DF35470520	R230		4822 052 10109	10Ω ±5% 1/4W	GG05100140
C313		4822 123 30086	MICA,47pF ±5% 500V FE922H470JS	DF35470520	R231		4822 116 83929	220Ω ±5% 1/4W	GG05221140
C348		4822 124 41535	ELECT.100μF ±20% 25V RA-2	OA10702520	▲ R232		9965 000 01764	FIXED,0.10Ω ±10% 5W X2 RGC55 W/TP	BZ10102020
C349		4822 124 41535	ELECT.100μF ±20% 25V RA-2	OA10702520	R242		4822 052 10109	10Ω ±5% 1/4W	GG05100140
C401		9965 000 02015	ELECT.22μF ±20% 25V ARS	OA22602540	R243		4822 052 10109	10Ω ±5% 1/4W	GG05100140
C402		4822 126 14166	FILM,APSV 331J, 330pF(TP) 100V PP	OF15331540	R306				
C403		4822 124 90355	ELECT.100μF ±20% 50V RA-2	OA10705020	}		4822 052 10331	330Ω ±5% 1/4W	GG05331140
C404		9965 000 04966	FILM,APSV 122J 1 200pF(TP) 100V PP	OF15122540	R309				
C406		9965 000 02644	ELECT.220μF ±20% 100V RA-2	OA22710020	R313		4822 052 10471	470Ω ±5% 1/6W	GG05471160
C407		9965 000 02644	ELECT.220μF ±20% 100V RA-2	OA22710020	R314		4822 052 10471	470Ω ±5% 1/6W	GG05471160
C411		9965 000 01561	MICA,10pF D 250WV AUDIO	DF31100520	R317		4822 052 10151	150Ω ±5% 1/6W	GG05151160
			P114-CAPACITORS(COMMON)		R318		4822 052 10151	150Ω ±5% 1/6W	GG05151160
			PLASTIC FILM CAPACITOR ±5% 50V : C108 C208 C308		R323		4822 100 11452	TRIM.VARI.470 VERTICAL	RA04710760
			P114- RESISTORS		R324		4822 052 10101	100Ω ±5% 1/6W	GG05101160
R106					R325		4822 052 10101	100Ω ±5% 1/6W	GG05101160
}		4822 052 10331	330Ω ±5% 1/4W	GG05331140	R326		4822 050 21022	1kΩ ±5% 1/4W	GG05102140
R109					R327		4822 052 10479	47Ω ±5% 1/4W	GG05470140
					R328		4822 052 10479	47Ω ±5% 1/4W	GG05470140
					R329		4822 052 10109	10Ω ±5% 1/4W	GG05100140
					R330		4822 052 10109	10Ω ±5% 1/4W	GG05100140
					R331		4822 116 83929	220Ω ±5% 1/4W	GG05221140
					▲ R332		9965 000 01764	FIXED,0.10Ω ±10% 5W X2 RGC55 W/TP	BZ10102020
					R342		4822 052 10109	10Ω ±5% 1/4W	GG05100140
					R343		4822 052 10109	10Ω ±5% 1/4W	GG05100140
					R406				
					}		4822 052 10331	330Ω ±5% 1/4W	GG05331140
					R409				
					R413		4822 052 10471	470Ω ±5% 1/6W	GG05471160
					R414		4822 052 10471	470Ω ±5% 1/6W	GG05471160
					R417		4822 052 10151	150Ω ±5% 1/6W	GG05151160

NOTE : *nsp* PART IS LISTED FOR REFERENCE ONLY, MARANTZ WILL NOT SUPPLY THESE PARTS.

SR9200

POS. NO	VERS. COLOR	PART NO. (FOR PCS)	DESCRIPTION	PART NO. (MJJ)	POS. NO	VERS. COLOR	PART NO. (FOR PCS)	DESCRIPTION	PART NO. (MJJ)
R418		4822 052 10151	150Ω ±5% 1/6W	GG05151160	Q108		4822 130 43233	TRS.2SC2240 GR OR BL	HT322402A0
R442		4822 052 10109	10Ω ±5% 1/4W	GG05100140	Q109		4822 130 42999	TRS.2SA1145 O OR Y TAPING	HT111452A0
R443		4822 052 10109	10Ω ±5% 1/4W	GG05100140	Q110		4822 130 43283	TRS.2SC2705 O OR Y TAPING	HT327052A0
R***			P114- RESISTORS(COMMON)		Q112		4822 130 63312	TRS.2SC4883 O OR Y	HT348832A0
			CARBON FILM FIXED RES.		Q113		4822 130 63308	TRS.2SA1859 O OR Y	HT118592A0
			±5% 1/6W : R101 R102 R104		▲ Q114		4822 130 60354	TRS.O,Y 120V,1A, PC=1.5W(10W)	HT334212A0
			R105 R110 R111 R112 R115		▲ Q115		4822 130 60353	TRS.O,Y 120V 1A PC=1.5W(10W)	HT113582A0
			R116 R119 R120 R121 R122		▲ Q116		9965 000 12763	TRS.C2922 OPY 17A 200W LF203	HT329223F0
			R133 R134 R135 R136 R137		▲ Q117		9965 000 12764	TRS.A1216 OPY 17A 200W LF203	HT112163F0
			R139 R201 R202 R204 R205		Q118		4822 130 43233	TRS.2SC2240 GR OR BL	HT322402A0
			R210 R211 R212 R215 R216		Q203		4822 130 60107	TRS.2SA1048 Y OR GR	HT110482B0
			R219 R220 R221 R222 R233		Q204		4822 130 60839	TRS.2SC2458 Y OR GR	HT324582B0
			R234 R235 R236 R237 R239		Q205		4822 130 43233	TRS.2SC2240 GR OR BL	HT322402A0
			R301 R302 R304 R305 R310		Q206		4822 130 42949	TRS.2SA970 (GR) OR (BL)	HT109702A0
			R311 R312 R315 R316 R319		Q207		4822 130 42949	TRS.2SA970 (GR) OR (BL)	HT109702A0
			R320 R321 R322 R333 R334		Q208		4822 130 43233	TRS.2SC2240 GR OR BL	HT322402A0
			R335 R336 R337 R339 R401		Q209		4822 130 42999	TRS.2SA970 (GR) OR (BL)	HT111452A0
			R402 R404 R405 R410 R411		Q210		4822 130 43283	TRS.2SC2705 O OR Y TAPING	HT327052A0
			R412 R415 R416 R419 R420		Q212		4822 130 63312	TRS.2SC4883 O OR Y	HT348832A0
			R542 R543 R544 RN40 RN41		Q213		4822 130 63308	TRS.2SA1859 O OR Y	HT118592A0
				P114- SEMICONDUCTORS		▲ Q214	4822 130 60354	TRS.O,Y 120V,1A,PC=1.5W(10W)	HT334212A0
	D101		4822 130 32362	DIODE,1SS176,MA165, 1SS254 30V 0.1A	HD20002000	▲ Q215	4822 130 60353	TRS.O,Y 120V 1A PC=1.5W(10W)	HT113582A0
	}					▲ Q216	9965 000 12763	TRS.C2922 OPY 17A 200W LF203	HT329223F0
	D104		4822 130 80273	ZENER,8.2V EQUIVALENT	HD30821000	▲ Q217	9965 000 12764	TRS.A1216 OPY 17A 200W LF203	HT112163F0
	D105		4822 130 80273	ZENER,8.2V EQUIVALENT	HD30821000	Q218	4822 130 43233	TRS.2SC2240 GR OR BL	HT322402A0
	D106		4822 130 80837	DIODE,HSS81TD 150V 150MA AXIAL TAPG.	HD20027010	Q301	4822 209 73064	IC,NJM-2068-DD	HC10053090
	D107		4822 130 80837	DIODE,HSS81TD 150V 150MA AXIAL TAPG.	HD20027010	Q303	4822 130 60107	TRS.2SA1048 Y OR GR	HT110482B0
	D108		4822 130 80837	DIODE,HSS81TD 150V 150MA AXIAL TAPG.	HD20027010	Q304	4822 130 60839	TRS.2SC2458 Y OR GR	HT324582B0
	D109		4822 130 31554	ZENER,4.3V EQUIVALENT	HD30431000	Q305	4822 130 43233	TRS.2SC2240 GR OR BL	HT322402A0
	D201		4822 130 32362	DIODE,1SS176,MA165, 1SS254 30V 0.1A	HD20002000	Q306	4822 130 42949	TRS.2SA970 (GR) OR (BL)	HT109702A0
	}					Q307	4822 130 42949	TRS.2SA970 (GR) OR (BL)	HT109702A0
	D204		4822 130 80273	ZENER,8.2V EQUIVALENT	HD30821000	Q308	4822 130 43233	TRS.2SC2240 GR OR BL	HT322402A0
	D205		4822 130 80273	ZENER,8.2V EQUIVALENT	HD30821000	Q309	4822 130 42999	TRS.2SA1145 O OR Y TAPING	HT111452A0
	D206		4822 130 80837	DIODE,HSS81TD 150V 150MA AXIAL TAPG.	HD20027010	Q310	4822 130 43283	TRS.2SC2705 O OR Y TAPING	HT327052A0
	D207		4822 130 80837	DIODE,HSS81TD 150V 150MA AXIAL TAPG.	HD20027010	Q312	4822 130 63312	TRS.2SC4883 O OR Y	HT348832A0
D208		4822 130 80837	DIODE,HSS81TD 150V 150MA AXIAL TAPG.	HD20027010	Q313	4822 130 63308	TRS.2SA1859 O OR Y	HT118592A0	
D209		4822 130 31554	ZENER,4.3V EQUIVALENT	HD30431000	▲ Q314	4822 130 60354	TRS.O,Y 120V,1A, PC=1.5W(10W)	HT334212A0	
D301		4822 130 32362	DIODE,1SS176,MA165, 1SS254 30V 0.1A	HD20002000	▲ Q315	4822 130 60353	TRS.O,Y 120V 1A PC=1.5W(10W)	HT113582A0	
}					▲ Q316	9965 000 12763	TRS.C2922 OPY 17A 200W LF203	HT329223F0	
D304		4822 130 80273	ZENER,8.2V EQUIVALENT	HD30821000	▲ Q317	9965 000 12764	TRS.A1216 OPY 17A 200W LF203	HT112163F0	
D305		4822 130 80273	ZENER,8.2V EQUIVALENT	HD30821000	Q318	4822 130 43233	TRS.2SC2240 GR OR BL	HT322402A0	
D306		4822 130 80837	DIODE,HSS81TD 150V 150MA AXIAL TAPG.	HD20027010	Q403	4822 130 60107	TRS.2SA1048 Y OR GR	HT110482B0	
D307		4822 130 80837	DIODE,HSS81TD 150V 150MA AXIAL TAPG.	HD20027010	Q404	4822 130 60839	TRS.2SC2458 Y OR GR	HT324582B0	
D308		4822 130 80837	DIODE,HSS81TD 150V 150MA AXIAL TAPG.	HD20027010	Q405	4822 130 43233	TRS.2SC2240 GR OR BL	HT322402A0	
D309		4822 130 31554	ZENER,4.3V EQUIVALENT	HD30431000	Q406	4822 130 42949	TRS.2SA970 (GR) OR (BL)	HT109702A0	
D401		4822 130 32362	DIODE,1SS176,MA165, 1SS254 30V 0.1A	HD20002000	Q407	4822 130 42949	TRS.2SA970 (GR) OR (BL)	HT109702A0	
D402		4822 130 32362	DIODE,1SS176,MA165, 1SS254 30V 0.1A	HD20002000	Q408	4822 130 43233	TRS.2SC2240 GR OR BL	HT322402A0	
Q101		4822 209 73064	IC,NJM-2068-DD	HC10053090	Q409	4822 130 42999	TRS.2SA1145 O OR Y TAPING	HT111452A0	
Q103		4822 130 60107	TRS.2SA1048 Y OR GR	HT110482B0	Q410	4822 130 43283	TRS.2SC2705 O OR Y TAPING	HT327052A0	
Q104		4822 130 60839	TRS.2SC2458 Y OR GR	HT324582B0	QN08	4822 130 42949	TRS.2SA970 (GR) OR (BL)	HT109702A0	
Q105		4822 130 43233	TRS.2SC2240 GR OR BL	HT322402A0					
Q106		4822 130 42949	TRS.2SA970 (GR) OR (BL)	HT109702A0					
Q107		4822 130 42949	TRS.2SA970 (GR) OR (BL)	HT109702A0					
					CN14	4822 124 22571	P114- MISCELLANEOUS ELECT.10μF ±20% 50V RA-2	OA10605020	

NOTE : *nsp* PART IS LISTED FOR REFERENCE ONLY, MARANTZ WILL NOT SUPPLY THESE PARTS.

SR9200

POS. NO	VERS. COLOR	PART NO. (FOR PCS)	DESCRIPTION	PART NO. (MUJ)	POS. NO	VERS. COLOR	PART NO. (FOR PCS)	DESCRIPTION	PART NO. (MUJ)
CN18		4822 124 41543	ELECT.1μF ±20% 50V RA-2	OA10505020				P124- MISCELLANEOUS	
CN66		4822 124 41543	ELECT.1μF ±20% 50V RA-2	OA10505020	J149		9965 000 12664	TERMINAL,SPKROUT FL FR	YT01040880
K101		4822 130 60795	KIT,A1358,C3421 O OR A1358, C3421 Y	HK135819C0	J349		9965 000 12664	TERMINAL,SPKROUT SBL SBR	YT01040880
K102		4822 130 11394	KIT,2SA1216/2SC2922 OPY LF203	HK121619F0	▲ LN01		4822 280 70354	RELAY,VB 24MBU-510 5A/240VAC	LY20240310
K103		4822 130 10965	KIT,2SA1859/C4883 O/O OR Y/Y PAIR	HK185919C0	▲ LN03		4822 280 70354	RELAY,VB 24MBU-510 5A/240VAC	LY20240310
K201		4822 130 60795	KIT,A1358,C3421 O OR A1358, C3421 Y	HK135819C0	LP91		9965 000 05895	RELAY,HP OUT RELAY	LY20240490
K202		4822 130 11394	KIT,2SA1216/2SC2922 OPY LF203	HK121619F0				P134- Q111	
K203		4822 130 10965	KIT,2SA1859/C4883 O/O OR Y/Y PAIR	HK185919C0	Q111		4822 130 60117	TRS.C3419 Y 40V 0.8A PC=1.2W (5W)	HT334191Y0
K301		4822 130 60795	KIT,A1358,C3421 O OR A1358, C3421 Y	HK135819C0				P134- SEMICONDUCTORS	
K302		4822 130 11394	KIT,2SA1216/2SC2922 OPY LF203	HK121619F0				P154- POWER AMP C SL SR, AVSS SENS	
K303		4822 130 10965	KIT,2SA1859/C4883 O/O OR Y/Y PAIR	HK185919C0				CIRCUIT BOARD	
			P124- SPKOUTS					P154- CAPACITORS	
			FRONT SURRBACK HEAD		C151		9965 000 02015	ELECT.22μF ±20% 25V ARS	OA22602540
			CIRCUIT BOARD		C152		4822 126 14166	FILM,APSV 331J, 330pF(TP) 100V PP	OF15331540
			P124- CAPACITORS		C153		4822 124 90355	ELECT.100μF ±20% 50V RA-2	OA10705020
CN10		4822 126 10364	CER.100pF UP050B101K-A	DA16101110	C154		9965 000 04966	FILM,APSV 122J 1200pF(TP) 100V PP	OF15122540
CN11		4822 126 10364	CER.100pF UP050B101K-A	DA16101110	C155		4822 124 22571	ELECT.10μF ±20% 50V RA-2	OA10605020
CN12		4822 126 10364	CER.100pF UP050B101K-A	DA16101110	C156		9965 000 02644	ELECT.220μF ±20% 100V RA-2	OA22710020
CN95	/N/S	4822 122 40617	CER.50V DC 0.1μF +80-20%	DD38104010	C157		9965 000 02644	ELECT.220μF ±20% 100V RA-2	OA22710020
CN96	/N/S	4822 122 40617	CER.50V DC 0.1μF +80-20%	DD38104010	C161		9965 000 01561	MICA,10pF D 250WV AUDIO	DF31100520
CN97	/N/S	4822 122 40617	CER.50V DC 0.1μF +80-20%	DD38104010	C162		4822 123 30086	MICA,47pF ±5% 500V FE922H470JS	DF35470520
			P124-CAPACITORS(COMMON)		C163		4822 123 30086	MICA,47pF ±5% 500V FE922H470JS	DF35470520
C***			PLASTIC FILM CAPACITOR ±5% 50V : C109 C110 C209 C210 C309 C310 C409 C410		C198		4822 124 41535	ELECT.100μF ±20% 25V RA-2	OA10702520
C***			HIGH DIELECTRIC CONSTANT CER.CAPACITOR ±10% 50V : C119[/N/S] C219[/N/S] C319[/N/S] C419[/N/S]		C199		4822 124 41535	ELECT.100μF ±20% 25V RA-2	OA10702520
			P124- RESISTORS		C213		4822 123 30086	MICA,47pF ±5% 500V FE922H470JS	DF35470520
R138		4822 053 10109	10Ω ±5% 1W	GA05100010	C251		9965 000 02015	ELECT.22μF ±20% 25V ARS	OA22602540
R238		4822 053 10109	10Ω ±5% 1W	GA05100010	C252		4822 126 14166	FILM,APSV 331J, 330pF(TP) 100V PP	OF15331540
R338		4822 053 10109	10Ω ±5% 1W	GA05100010	C253		4822 124 90355	ELECT.100μF ±20% 50V RA-2	OA10705020
R438		4822 053 10109	10Ω ±5% 1W	GA05100010	C254		9965 000 04966	FILM,APSV 122J 1200pF(TP) 100V PP	OF15122540
RN35		4822 052 10331	330Ω ±5% 1/4W	GG05331140	C255		4822 124 22571	ELECT.10μF ±20% 50V RA-2	OA10605020
RN37		4822 052 10331	330Ω ±5% 1/4W	GG05331140	C256		9965 000 02644	ELECT.220μF ±20% 100V RA-2	OA22710020
RP91		4822 053 10331	330Ω ±5% 1W	GA05331010	C257		9965 000 02644	ELECT.220μF ±20% 100V RA-2	OA22710020
RP92		4822 053 10331	330Ω ±5% 1W	GA05331010	C261		9965 000 01561	MICA,10pF D 250WV AUDIO	DF31100520
RP93		4822 052 10331	330Ω ±5% 1/4W	GG05331140	C262		4822 123 30086	MICA,47pF ±5% 500V FE922H470JS	DF35470520
			P124- RESISTORS(COMMON)		C263		4822 123 30086	MICA,47pF ±5% 500V FE922H470JS	DF35470520
R***			CARBON FILM FIXED RES. ±5% 1/6W : RN27-RN32		C351		9965 000 02015	ELECT.22μF ±20% 25V ARS	OA22602540
			P124- SEMICONDUCTORS		C352		4822 126 14166	FILM,APSV 331J, 330pF(TP) 100V PP	OF15331540
DN05		4822 130 82421	DIODE,1D3 1A/200V	HD20002710	C353		4822 124 90355	ELECT.100μF ±20% 50V RA-2	OA10705020
DN07		4822 130 82421	DIODE,1D3 1A/200V	HD20002710	C354		9965 000 04966	FILM,APSV 122J 1200pF(TP) 100V PP	OF15122540
DP91		4822 130 82421	DIODE,1D3 1A/200V	HD20002710	C355		4822 124 22571	ELECT.10μF ±20% 50V RA-2	OA10605020
QN04		4822 130 60839	TRS.2SC2458 Y OR GR	HT324582B0	C356		9965 000 02644	ELECT.220μF ±20% 100V RA-2	OA22710020
QN05		4822 130 60839	TRS.2SC2458 Y OR GR	HT324582B0	C357		9965 000 02644	ELECT.220μF ±20% 100V RA-2	OA22710020
QN06		4822 130 60839	TRS.2SC2458 Y OR GR	HT324582B0	C361		9965 000 01561	MICA,10pF D 250WV AUDIO	DF31100520
					C362		4822 123 30086	MICA,47pF ±5% 500V FE922H470JS	DF35470520
					C363		4822 123 30086	MICA,47pF ±5% 500V FE922H470JS	DF35470520
					C389		4822 124 41535	ELECT.100μF ±20% 25V RA-2	OA10702520

NOTE : *nsp* PART IS LISTED FOR REFERENCE ONLY, MARANTZ WILL NOT SUPPLY THESE PARTS.

SR9200

POS. NO	VERS. COLOR	PART NO. (FOR PCS)	DESCRIPTION	PART NO. (MJJ)	POS. NO	VERS. COLOR	PART NO. (FOR PCS)	DESCRIPTION	PART NO. (MJJ)
C399		4822 124 41535	ELECT.100µF ±20% 25V RA-2	OA10702520	▲ R282		9965 000 01764	FIXED,0.10Ω ±10% 5W X2	BZ10102020
C501									
}		4822 126 10364	CER.100pF UP050B101K-A	DA16101110	R292		4822 052 10109	10Ω ±5% 1/4W	GG05100140
C507					R293		4822 052 10109	10Ω ±5% 1/4W	GG05100140
C508		4822 124 41543	ELECT.1µF ±20% 50V RA-2	OA10505020	R356				
C509		4822 124 41535	ELECT.100µF ±20% 25V RA-2	OA10702520	}		4822 052 10331	330Ω ±5% 1/4W	GG05331140
C510		4822 124 41535	ELECT.100µF ±20% 25V RA-2	OA10702520	R359				
CN01		4822 124 90355	ELECT.100µF ±20% 50V RA-2	OA10705020	R363		4822 052 10471	470Ω ±5% 1/6W	GG05471160
CN02		4822 122 30043	CER.0.01µF Z 50V	DK18103310	R364		4822 052 10471	470Ω ±5% 1/6W	GG05471160
CN03		4822 124 22273	ELECT.0.47µF ±20% 50V RA-2	OA47405020	R367		4822 052 10151	150Ω ±5% 1/6W	GG05151160
CN04		4822 124 22273	ELECT.0.47µF ±20% 50V RA-2	OA47405020	R368		4822 052 10151	150Ω ±5% 1/6W	GG05151160
CN05		4822 124 41543	ELECT.1µF ±20% 50V RA-2	OA10505020	R373		4822 100 11452	TRIM.VARI.470 VERTICAL	RA04710760
CN06		4822 122 30043	CER.0.01µF Z 50V	DK18103310	R374		4822 052 10101	100Ω ±5% 1/6W	GG05101160
CN15		4822 124 22571	ELECT.10µF ±20% 50V RA-2	OA10605020	R375		4822 052 10101	100Ω ±5% 1/6W	GG05101160
CN17		4822 122 30043	CER.0.01µF Z 50V	DK18103310	R376		4822 050 21022	1kΩ ±5% 1/4W	GG05102140
CN61		4822 124 41535	ELECT.100µF ±20% 25V RA-2	OA10702520	R377		4822 052 10479	47Ω ±5% 1/4W	GG05470140
CN62		4822 122 30043	CER.0.01µF Z 50V	DK18103310	R378		4822 052 10479	47Ω ±5% 1/4W	GG05470140
CN63		4822 124 41543	ELECT.1µF ±20% 50V RA-2	OA10505020	R379		4822 052 10109	10Ω ±5% 1/4W	GG05100140
CN64		4822 124 41543	ELECT.1µF ±20% 50V RA-2	OA10505020	R380		4822 052 10109	10Ω ±5% 1/4W	GG05100140
CN65		4822 124 41543	ELECT.1µF ±20% 50V RA-2	OA10505020	R381		4822 116 83929	220Ω ±5% 1/4W	GG05221140
			P154-CAPACITORS(COMMON)		▲ R382		9965 000 01764	FIXED,0.10Ω ±10% 5W X2	BZ10102020
			PLASTIC FILM CAPACITOR						
			±5% 50V : C158 C258 C358		R392		4822 052 10109	10Ω ±5% 1/4W	GG05100140
			P154- RESISTORS		R393		4822 052 10109	10Ω ±5% 1/4W	GG05100140
					RN83		4822 050 24708	4.7Ω ±5% 1/2W	GG05047120
R156					R***				
}		4822 052 10331	330Ω ±5% 1/4W	GG05331140					
R159									
R163		4822 052 10471	470Ω ±5% 1/6W	GG05471160					
R164		4822 052 10471	470Ω ±5% 1/6W	GG05471160					
R167		4822 052 10151	150Ω ±5% 1/6W	GG05151160					
R168		4822 052 10151	150Ω ±5% 1/6W	GG05151160					
R173		4822 100 11452	TRIM.VARI.470 VERTICAL	RA04710760					
R174		4822 052 10101	100Ω ±5% 1/6W	GG05101160					
R175		4822 052 10101	100Ω ±5% 1/6W	GG05101160					
R176		4822 050 21022	1kΩ ±5% 1/4W	GG05102140					
R177		4822 052 10479	47Ω ±5% 1/4W	GG05470140					
R178		4822 052 10479	47Ω ±5% 1/4W	GG05470140					
R179		4822 052 10109	10Ω ±5% 1/4W	GG05100140					
R180		4822 052 10109	10Ω ±5% 1/4W	GG05100140					
R181		4822 116 83929	220Ω ±5% 1/4W	GG05221140					
▲ R182		9965 000 01764	FIXED,0.10Ω ±10% 5W X2	BZ10102020	D151				
R192		4822 052 10109	10Ω ±5% 1/4W	GG05100140	}		4822 130 32362	DIODE,1SS176,MA165,1SS254	HD20002000
R193		4822 052 10109	10Ω ±5% 1/4W	GG05100140				30V 0.1A	
R199		4822 052 10109	10Ω ±5% 1/4W	GG05100140	D154				
R256					D155		4822 130 80273	ZENER,8.2V EQUIVALENT	HD30821000
}		4822 052 10331	330Ω ±5% 1/4W	GG05331140	D156		4822 130 80273	ZENER,8.2V EQUIVALENT	HD30821000
R259					D157		4822 130 80837	DIODE,HSS81TD 150V 150MA	HD20027010
R263		4822 052 10471	470Ω ±5% 1/6W	GG05471160				AXIAL TAPG.	
R264		4822 052 10471	470Ω ±5% 1/6W	GG05471160	D158		4822 130 80837	DIODE,HSS81TD 150V 150MA	HD20027010
R267		4822 052 10151	150Ω ±5% 1/6W	GG05151160				AXIAL TAPG.	
R268		4822 052 10151	150Ω ±5% 1/6W	GG05151160	D159		4822 130 31554	ZENER,4.3V EQUIVALENT	HD30431000
R273		4822 100 11452	TRIM.VARI.470 VERTICAL	RA04710760	D251				
R274		4822 052 10101	100Ω ±5% 1/6W	GG05101160	}		4822 130 32362	DIODE,1SS176,MA165,1SS254	HD20002000
R275		4822 052 10101	100Ω ±5% 1/6W	GG05101160				30V 0.1A	
R276		4822 050 21022	1kΩ ±5% 1/4W	GG05102140	D254				
R277		4822 052 10479	47Ω ±5% 1/4W	GG05470140	D255		4822 130 80273	ZENER,8.2V EQUIVALENT	HD30821000
R278		4822 052 10479	47Ω ±5% 1/4W	GG05470140	D256		4822 130 80273	ZENER,8.2V EQUIVALENT	HD30821000
R279		4822 052 10109	10Ω ±5% 1/4W	GG05100140	D257		4822 130 80837	DIODE,HSS81TD 150V 150MA	HD20027010
R280		4822 052 10109	10Ω ±5% 1/4W	GG05100140				AXIAL TAPG.	
R281		4822 116 83929	220Ω ±5% 1/4W	GG05221140	D258		4822 130 80837	DIODE,HSS81TD 150V 150MA	HD20027010
								AXIAL TAPG.	
					D259		4822 130 31554	ZENER,4.3V EQUIVALENT	HD30431000

NOTE : *nsp* PART IS LISTED FOR REFERENCE ONLY, MARANTZ WILL NOT SUPPLY THESE PARTS.

SR9200

POS. NO	VERS. COLOR	PART NO. (FOR PCS)	DESCRIPTION	PART NO. (MJJ)
D351		4822 130 32362	DIODE,1SS176,MA165,1SS254 30V 0.1A	HD20002000
D354		4822 130 80273	ZENER,8.2V EQUIVALENT	HD30821000
D355		4822 130 80273	ZENER,8.2V EQUIVALENT	HD30821000
D356		4822 130 80837	DIODE,HSS81TD 150V 150MA AXIAL TAPG.	HD20027010
D357		4822 130 80837	DIODE,HSS81TD 150V 150MA AXIAL TAPG.	HD20027010
D358		4822 130 80837	DIODE,HSS81TD 150V 150MA AXIAL TAPG.	HD20027010
D359		4822 130 31554	ZENER,4.3V EQUIVALENT	HD30431000
D511		4822 130 32362	DIODE,1SS176,MA165,1SS254 30V 0.1A	HD20002000
D517		4822 130 80273	ZENER,8.2V EQUIVALENT	HD30821000
DN61		4822 130 10667	ZENER,4.7V EQUIVALENT	HD30471000
DN62		4822 209 73064	IC,NJM-2068-DD	HC10053090
Q151		4822 130 60107	TRS.2SA1048 Y OR GR	HT110482B0
Q153		4822 130 60839	TRS.2SC2458 Y OR GR	HT324582B0
Q154		4822 130 43233	TRS.2SC2240 GR OR BL	HT322402A0
Q155		4822 130 42949	TRS.2SA970 (GR) OR (BL)	HT109702A0
Q156		4822 130 42949	TRS.2SA970 (GR) OR (BL)	HT109702A0
Q157		4822 130 42949	TRS.2SA970 (GR) OR (BL)	HT109702A0
Q158		4822 130 43233	TRS.2SC2240 GR OR BL	HT322402A0
Q159		4822 130 42999	TRS.2SA1145 O OR Y TAPING	HT111452A0
Q160		4822 130 43283	TRS.2SC2705 O OR Y TAPING	HT327052A0
Q162		4822 130 63312	TRS.2SC4883 O OR Y	HT348832A0
Q163		4822 130 63308	TRS.2SA1859 O OR Y	HT118592A0
▲ Q164		4822 130 60354	TRS.O,Y 120V,1A, PC=1.5W(10W)	HT334212A0
▲ Q165		4822 130 60353	TRS.O,Y 120V 1A PC=1.5W(10W)	HT113582A0
▲ Q166		9965 000 12763	TRS.C2922 OPY 17A 200W LF203	HT329223F0
▲ Q167		9965 000 12764	TRS.A1216 OPY 17A 200W LF203	HT112163F0
Q168		4822 130 43233	TRS.2SC2240 GR OR BL	HT322402A0
Q253		4822 130 60107	TRS.2SA1048 Y OR GR	HT110482B0
Q254		4822 130 60839	TRS.2SC2458 Y OR GR	HT324582B0
Q255		4822 130 43233	TRS.2SC2240 GR OR BL	HT322402A0
Q256		4822 130 42949	TRS.2SA970 (GR) OR (BL)	HT109702A0
Q257		4822 130 42949	TRS.2SA970 (GR) OR (BL)	HT109702A0
Q258		4822 130 43233	TRS.2SC2240 GR OR BL	HT322402A0
Q259		4822 130 42999	TRS.2SA1145 O OR Y TAPING	HT111452A0
Q260		4822 130 43283	TRS.2SC2705 O OR Y TAPING	HT327052A0
Q262		4822 130 63312	TRS.2SC4883 O OR Y	HT348832A0
Q263		4822 130 63308	TRS.2SA1859 O OR Y	HT118592A0
▲ Q264		4822 130 60354	TRS.O,Y 120V,1A, PC=1.5W(10W)	HT334212A0
▲ Q265		4822 130 60353	TRS.O,Y 120V 1A PC=1.5W(10W)	HT113582A0
▲ Q266		9965 000 12763	TRS.C2922 OPY 17A 200W LF203	HT329223F0
▲ Q267		9965 000 12764	TRS.A1216 OPY 17A 200W LF203	HT112163F0
Q268		4822 130 43233	TRS.2SC2240 GR OR BL	HT322402A0
Q351		4822 209 73064	IC,NJM-2068-DD	HC10053090
Q353		4822 130 60107	TRS.2SA1048 Y OR GR	HT110482B0
Q354		4822 130 60839	TRS.2SC2458 Y OR GR	HT324582B0
Q355		4822 130 43233	TRS.2SC2240 GR OR BL	HT322402A0
Q356		4822 130 42949	TRS.2SA970 (GR) OR (BL)	HT109702A0
Q357		4822 130 42949	TRS.2SA970 (GR) OR (BL)	HT109702A0
Q358		4822 130 43233	TRS.2SC2240 GR OR BL	HT322402A0
Q359		4822 130 42999	TRS.2SA1145 O OR Y TAPING	HT111452A0
Q360		4822 130 43283	TRS.2SC2705 O OR Y TAPING	HT327052A0

POS. NO	VERS. COLOR	PART NO. (FOR PCS)	DESCRIPTION	PART NO. (MJJ)
Q362		4822 130 63312	TRS.2SC4883 O OR Y	HT348832A0
Q363		4822 130 63308	TRS.2SA1859 O OR Y	HT118592A0
▲ Q364		4822 130 60354	TRS.O,Y 120V,1A, PC=1.5W(10W)	HT334212A0
▲ Q365		4822 130 60353	TRS.O,Y 120V 1A PC=1.5W(10W)	HT113582A0
▲ Q366		9965 000 12763	TRS.C2922 OPY 17A 200W LF203	HT329223F0
▲ Q367		9965 000 12764	TRS.A1216 OPY 17A 200W LF203	HT112163F0
Q368		4822 130 43233	TRS.2SC2240 GR OR BL	HT322402A0
Q501		4822 209 83637	IC,NJM2901 QUAD COMPARATOR	HC10009090
Q502		4822 209 83637	IC,NJM2901 QUAD COMPARATOR	HC10009090
QN01		4822 209 83312	IC,TA7317P	HC10042050
QN02		4822 130 60839	TRS.2SC2458 Y OR GR	HT324582B0
QN03		4822 130 60839	TRS.2SC2458 Y OR GR	HT324582B0
QN09		4822 130 42949	TRS.2SA970 (GR) OR (BL)	HT109702A0
QN11		4822 130 60588	DIG.TRS.DTC114ES/UN4211 10K,10K	BA20001000
QN61		4822 209 83637	IC,NJM2901 QUAD COMPARATOR	HC10009090
QN62		4822 130 60588	DIG.TRS.DTC114ES/UN4211 10K,10K	BA20001000
QN63		4822 130 60588	DIG.TRS.DTC114ES/UN4211 10K,10K	BA20001000
QN64		4822 130 60117	TRS.C3419 Y 40V 0.8A PC=1.2W (5W)	HT334191Y0
P154- MISCELLANEOUS				
K151		4822 130 60795	KIT,A1358,C3421 O OR A1358, C3421 Y	HK135819C0
K152		4822 130 11394	KIT,2SA1216/2SC2922 OPY LF203	HK121619F0
K153		4822 130 10965	KIT,2SA1859/C4883 O/O OR Y/Y PAIR	HK185919C0
K251		4822 130 60795	KIT,A1358,C3421 O OR A1358, C3421 Y	HK135819C0
K252		4822 130 11394	KIT,2SA1216/2SC2922 OPY LF203	HK121619F0
K253		4822 130 10965	KIT,2SA1859/C4883 O/O OR Y/Y PAIR	HK185919C0
K351		4822 130 60795	KIT,A1358,C3421 O OR A1358, C3421 Y	HK135819C0
K352		4822 130 11394	KIT,2SA1216/2SC2922 OPY LF203	HK121619F0
K353		4822 130 10965	KIT,2SA1859/C4883 O/O OR Y/Y PAIR	HK185919C0
P164- SPKOUTS SURR CENTER MULTI CIRCUIT BOARD				
P164- CAPACITORS				
CN13		4822 126 10364	CER.100pF UP050B101K-A	DA16101110
CN98	/N/S	4822 122 40617	CER.50V DC 0.1µF +80-20%	DD38104010
CN99	/N/S	4822 122 40617	CER.50V DC 0.1µF +80-20%	DD38104010
P164-CAPACITORS(COMMON)				
○*** PLASTIC FILM CAPACITOR ±5% 50V : C159 C160 C259 C260 C359 C360				
○*** HIGH DIELECTRIC CONSTANT CER.CAPACITOR ±10% 50V : C140[/N/S] C169[/N/S] C240[/N/S] C269[/N/S]				

NOTE : *nsp* PART IS LISTED FOR REFERENCE ONLY, MARANTZ WILL NOT SUPPLY THESE PARTS.

SR9200

POS. NO	VERS. COLOR	PART NO. (FOR PCS)	DESCRIPTION	PART NO. (MUJ)	POS. NO	VERS. COLOR	PART NO. (FOR PCS)	DESCRIPTION	PART NO. (MUJ)
			C369/[N/S]					P414- SBR POWER AMP CIRCUIT BOARD	
R188		4822 053 10109	P164- RESISTORS 10Ω ±5% 1W	GA05100010	C405		4822 124 22571	ELECT.10μF ±20% 50V RA-2	OA10605020
R288		4822 053 10109	10Ω ±5% 1W	GA05100010	C412		4822 123 30086	MICA,47pF ±5% 500V FE922H470JS	DF35470520
R388		4822 053 10109	10Ω ±5% 1W	GA05100010	C413		4822 123 30086	MICA,47pF ±5% 500V FE922H470JS	DF35470520
RN36		4822 052 10331	330Ω ±5% 1/4W	GG05331140	C414		4822 124 23789	ELECT,47μF/100V	EA47610010
RN38		4822 052 10331	330Ω ±5% 1/4W	GG05331140	C415		4822 124 23789	ELECT,47μF/100V	EA47610010
RN39		4822 052 10331	330Ω ±5% 1/4W	GG05331140	CN16		4822 124 22571	ELECT.10μF ±20% 50V RA-2	OA10605020
R***			P164- RESISTORS(COMMON) CARBON FILM FIXED RES. ±5% 1/6W : RN33 RN34		C***			P414-CAPACITORS(COMMON) PLASTIC FILM CAPACITOR ±5% 50V : C408	
DN06		4822 130 82421	P164- SEMICONDUCTORS DIODE,1D3 1A/200V	HD20002710	R423		4822 100 11426	TRIM.470Ω RH0638CS2R	RA04710780
DN08		4822 130 82421	DIODE,1D3 1A/200V	HD20002710	R424		4822 052 10101	100Ω ±5% 1/6W	GG05101160
DN09		4822 130 82421	DIODE,1D3 1A/200V	HD20002710	R425		4822 052 10101	100Ω ±5% 1/6W	GG05101160
QN07		4822 130 60839	TRS.2SC2458 Y OR GR	HT324582B0	R426		4822 050 21022	1kΩ ±5% 1/4W	GG05102140
J199		9965 000 12663	P164- MISCELLANEOUS TERMINAL,SPKROUT CENTER SL SR	YT01060030	R427		4822 052 10479	47Ω ±5% 1/4W	GG05470140
J299		9965 000 12664	TERMINAL,SPKROUT ML MR	YT01040880	R428		4822 052 10479	47Ω ±5% 1/4W	GG05470140
▲ LN02		4822 280 70354	RELAY,VB 24MBU-510 5A/240VAC	LY20240310	R429		4822 052 10109	10Ω ±5% 1/4W	GG05100140
▲ LN04		4822 280 70354	RELAY,VB 24MBU-510 5A/240VAC	LY20240310	R430		4822 052 10109	10Ω ±5% 1/4W	GG05100140
▲ LN05		4822 280 70354	RELAY,VB 24MBU-510 5A/240VAC	LY20240310	R431		4822 116 83929	220Ω ±5% 1/4W	GG05221140
					▲ R432		9965 000 01764	FIXED,0.10Ω ±10% 5W X2 RGC55 W/TP	BZ10102020
					R***			P414- RESISTORS(COMMON) CARBON FILM FIXED RES. ±5% 1/6W : R421 R422 R433 R434 R435 R436 R437 R439 R548 RN44 RN45	
Q161		4822 130 60117	P174- Q161 CIRCUIT BOARD P174- SEMICONDUCTORS TRS.C3419 Y 40V 0.8A PC=1.2W (5W)	HT334191Y0	D403		4822 130 32362	DIODE,1SS176,MA165,1SS254 30V 0.1A	HD20002000
					D404		4822 130 32362	DIODE,1SS176,MA165,1SS254 30V 0.1A	HD20002000
Q211		4822 130 60117	P214- Q211 CIRCUIT BOARD P214- SEMICONDUCTORS TRS.C3419 Y 40V 0.8A PC=1.2W (5W)	HT334191Y0	D405		4822 130 80273	ZENER,8.2V EQUIVALENT	HD30821000
					D406		4822 130 80273	ZENER,8.2V EQUIVALENT	HD30821000
					D407		4822 130 80837	DIODE,HSS81TD 150V 150MA AXIAL TAPG.	HD20027010
					D408		4822 130 80837	DIODE,HSS81TD 150V 150MA AXIAL TAPG.	HD20027010
Q261		4822 130 60117	P254- Q261 CIRCUIT BOARD P254- SEMICONDUCTORS TRS.C3419 Y 40V 0.8A PC=1.2W (5W)	HT334191Y0	D409		4822 130 31554	ZENER,4.3V EQUIVALENT	HD30431000
					Q411		4822 130 60117	TRS.C3419 Y 40V 0.8A PC=1.2W (5W)	HT334191Y0
					Q412		4822 130 63312	TRS.2SC4883 O OR Y	HT348832A0
					Q413		4822 130 63308	TRS.2SA1859 O OR Y	HT118592A0
					▲ Q414		4822 130 60354	TRS.O,Y 120V,1A, PC=1.5W(10W)	HT334212A0
					▲ Q415		4822 130 60353	TRS.O,Y 120V 1A PC=1.5W(10W)	HT113582A0
					▲ Q416		9965 000 01762	TRS.2SC2922 O,Y	HT329222A0
Q311		4822 130 60117	P314- Q311 CIRCUIT BOARD P314- SEMICONDUCTORS TRS.C3419 Y 40V 0.8A PC=1.2W (5W)	HT334191Y0	▲ Q417		9965 000 01763	TRS.2SA1216 O,Y	HT112162A0
					Q418		4822 130 43233	TRS.2SC2240 GR OR BL	HT322402A0
					QN10		4822 130 42949	TRS.2SA970 (GR) OR (BL)	HT109702A0
Q361		4822 130 60117	P354- Q361 CIRCUIT BOARD P354- SEMICONDUCTORS TRS.C3419 Y 40V 0.8A PC=1.2W (5W)	HT334191Y0	K401		4822 130 10966	P414- MISCELLANEOUS KIT,2SA1358 O,2SC3421 O	HK135819A0
					K402		4822 130 11394	KIT,2SA1216/2SC2922(O,Y) PAIR	HK121619F0
					K403		4822 130 10965	KIT,2SA1859/C4883 O/O OR Y/Y PAIR	HK185919C0

NOTE : *nsp* PART IS LISTED FOR REFERENCE ONLY, MARANTZ WILL NOT SUPPLY THESE PARTS.

SR9200

POS. NO	VERS. COLOR	PART NO. (FOR PCS)	DESCRIPTION	PART NO. (MUJ)	POS. NO	VERS. COLOR	PART NO. (FOR PCS)	DESCRIPTION	PART NO. (MUJ)
			P604- DSP AND μ-COM CIRCUIT BOARD						
			P604- CAPACITORS						
C610		4822 126 11687	CER.GRM39F104Z16 0.1μF	DK98104200	CR70		4822 126 11687	CER.GRM39F104Z16 0.1μF	DK98104200
C611		4822 124 41539	ELECT.47μF ±20% 16V RA-2	OA47601620	CU01		4822 126 11687	CER.GRM39F104Z16 0.1μF	DK98104200
C612		4822 126 11687	CER.GRM39F104Z16 0.1μF	DK98104200	CU02		4822 124 41539	ELECT.47μF ±20% 16V RA-2	OA47601620
C613		4822 124 41539	ELECT.47μF ±20% 16V RA-2	OA47601620	CU03		4822 126 11687	CER.GRM39F104Z16 0.1μF	DK98104200
C614		4822 126 11687	CER.GRM39F104Z16 0.1μF	DK98104200	CU04		4822 124 41539	ELECT.47μF ±20% 16V RA-2	OA47601620
C615		4822 124 41539	ELECT.47μF ±20% 16V RA-2	OA47601620	CU05		4822 126 11687	CER.GRM39F104Z16 0.1μF	DK98104200
C616		4822 126 11568	CER.470pF (GR39)	DK96471300	CU06		4822 126 11687	CER.GRM39F104Z16 0.1μF	DK98104200
C617		4822 126 11703	CER.0.01μF	DK98103300	CU07		4822 124 41539	ELECT.47μF ±20% 16V RA-2	OA47601620
C618		4822 124 90357	ELECT.2.2μF ±20% 50V RA-2	OA22505020	CU08		4822 126 11687	CER.GRM39F104Z16 0.1μF	DK98104200
C619		4822 126 11687	CER.GRM39F104Z16 0.1μF	DK98104200	CU09		4822 126 11568	CER.470pF (GR39)	DK96471300
C620		4822 124 41539	ELECT.47μF ±20% 16V RA-2	OA47601620	CU12		4822 126 11687	CER.GRM39F104Z16 0.1μF	DK98104200
C621		4822 126 11687	CER.GRM39F104Z16 0.1μF	DK98104200	CU13		4822 126 11687	CER.GRM39F104Z16 0.1μF	DK98104200
C622		4822 126 11687	CER.GRM39F104Z16 0.1μF	DK98104200	CU14		4822 126 11687	CER.GRM39F104Z16 0.1μF	DK98104200
C640		4822 126 11687	CER.GRM39F104Z16 0.1μF	DK98104200	CU15		4822 124 41539	ELECT.47μF ±20% 16V RA-2	OA47601620
C641		4822 124 41539	ELECT.47μF ±20% 16V RA-2	OA47601620	CU16		4822 126 11687	CER.GRM39F104Z16 0.1μF	DK98104200
C642		4822 126 11687	CER.GRM39F104Z16 0.1μF	DK98104200	CU17		4822 124 90352	ELECT.10μF ±20% 16V RA-2	OA10601620
C643		4822 124 41539	ELECT.47μF ±20% 16V RA-2	OA47601620	CU18		4822 124 41539	ELECT.47μF ±20% 16V RA-2	OA47601620
C644		4822 126 11687	CER.GRM39F104Z16 0.1μF	DK98104200	CU19		4822 124 41539	ELECT.47μF ±20% 16V RA-2	OA47601620
C645		4822 124 41539	ELECT.47μF ±20% 16V RA-2	OA47601620	CU20		4822 126 11687	CER.GRM39F104Z16 0.1μF	DK98104200
C646		4822 126 11568	CER.470pF (GR39)	DK96471300	CU21		4822 126 11687	CER.GRM39F104Z16 0.1μF	DK98104200
C647		4822 126 11703	CER.0.01μF	DK98103300	CU25		5322 126 11578	CER.1000pF ±10% B 50V GR36	DK96102300
C648		4822 124 90357	ELECT.2.2μF ±20% 50V RA-2	OA22505020	CU26		4822 126 11687	CER.GRM39F104Z16 0.1μF	DK98104200
C649		4822 126 11687	CER.GRM39F104Z16 0.1μF	DK98104200	CU27		4822 126 11687	CER.GRM39F104Z16 0.1μF	DK98104200
C650		4822 124 41539	ELECT.47μF ±20% 16V RA-2	OA47601620	CU31		4822 126 11687	CER.GRM39F104Z16 0.1μF	DK98104200
C651		4822 126 11687	CER.GRM39F104Z16 0.1μF	DK98104200	CU32		4822 124 41539	ELECT.47μF ±20% 16V RA-2	OA47601620
C652		4822 126 11687	CER.GRM39F104Z16 0.1μF	DK98104200	CU33		4822 126 11687	CER.GRM39F104Z16 0.1μF	DK98104200
C670		4822 126 11687	CER.GRM39F104Z16 0.1μF	DK98104200	CU34		4822 124 41539	ELECT.47μF ±20% 16V RA-2	OA47601620
C671		4822 124 41539	ELECT.47μF ±20% 16V RA-2	OA47601620	CU35		4822 126 11687	CER.GRM39F104Z16 0.1μF	DK98104200
C672		4822 126 11687	CER.GRM39F104Z16 0.1μF	DK98104200	CU36		4822 124 41539	ELECT.47μF ±20% 16V RA-2	OA47601620
C673		4822 124 41539	ELECT.47μF ±20% 16V RA-2	OA47601620	CU37		4822 126 11687	CER.GRM39F104Z16 0.1μF	DK98104200
C674		4822 126 11687	CER.GRM39F104Z16 0.1μF	DK98104200	CU38		4822 124 41539	ELECT.47μF ±20% 16V RA-2	OA47601620
C675		4822 124 41539	ELECT.47μF ±20% 16V RA-2	OA47601620	CU39		4822 126 11687	CER.GRM39F104Z16 0.1μF	DK98104200
C676					CU40		4822 124 22698	ELECT.47μF ±20% 25V RA-2	OA47602520
C685		4822 126 11687	CER.GRM39F104Z16 0.1μF	DK98104200	CU41		4822 126 11687	CER.GRM39F104Z16 0.1μF	DK98104200
C691		4822 124 41539	ELECT.47μF ±20% 16V RA-2	OA47601620	CU42		4822 124 41539	ELECT.47μF ±20% 16V RA-2	OA47601620
C692		4822 126 11687	CER.GRM39F104Z16 0.1μF	DK98104200	CU43		4822 126 11687	CER.GRM39F104Z16 0.1μF	DK98104200
C693		4822 124 41539	ELECT.47μF ±20% 16V RA-2	OA47601620	CU44		4822 126 11687	CER.GRM39F104Z16 0.1μF	DK98104200
CR30		4822 122 33785	CER.68pF (GR39)	DD95680300	CU45		4822 124 41539	ELECT.47μF ±20% 16V RA-2	OA47601620
CR31		4822 126 11687	CER.GRM39F104Z16 0.1μF	DK98104200	CU46		4822 126 11687	CER.GRM39F104Z16 0.1μF	DK98104200
CR32		4822 126 11687	CER.GRM39F104Z16 0.1μF	DK98104200	CU47		4822 124 41539	ELECT.47μF ±20% 16V RA-2	OA47601620
CR33		4822 126 11568	CER.470pF (GR39)	DK96471300	CU50		4822 126 11687	CER.GRM39F104Z16 0.1μF	DK98104200
CR34		4822 126 11687	CER.GRM39F104Z16 0.1μF	DK98104200	CU51		4822 124 41539	ELECT.47μF ±20% 16V RA-2	OA47601620
CR35		4822 126 11687	CER.GRM39F104Z16 0.1μF	DK98104200	CU52				
CR36		4822 124 41539	ELECT.47μF ±20% 16V RA-2	OA47601620	CU60		4822 126 11687	CER.GRM39F104Z16 0.1μF	DK98104200
CR44		4822 126 11687	CER.GRM39F104Z16 0.1μF	DK98104200	CU61		4822 116 82487	CHIP,0Ω ±5% 1/16W	NN05000610
CR50		4822 126 11687	CER.GRM39F104Z16 0.1μF	DK98104200	CU62		4822 126 11687	CER.GRM39F104Z16 0.1μF	DK98104200
CR51		4822 126 11703	CER.0.01μF	DK98103300	CU63		4822 126 11687	CER.GRM39F104Z16 0.1μF	DK98104200
CR52		4822 126 11703	CER.0.01μF	DK98103300	CU64		4822 116 82487	CHIP,0Ω ±5% 1/16W	NN05000610
CR53		4822 126 11687	CER.GRM39F104Z16 0.1μF	DK98104200	CU70		4822 126 11687	CER.GRM39F104Z16 0.1μF	DK98104200
CR54		4822 126 11687	CER.GRM39F104Z16 0.1μF	DK98104200	CU71		4822 126 11687	CER.GRM39F104Z16 0.1μF	DK98104200
CR55		4822 124 41539	ELECT.47μF ±20% 16V RA-2	OA47601620	CU80		4822 126 11687	CER.GRM39F104Z16 0.1μF	DK98104200
CR56		4822 126 11687	CER.GRM39F104Z16 0.1μF	DK98104200	CU81		4822 126 11687	CER.GRM39F104Z16 0.1μF	DK98104200
CR57		4822 124 41539	ELECT.47μF ±20% 16V RA-2	OA47601620					
CR58		4822 122 33761	CER.22pF ±5% CG 50V GR39	DD95220300	R601				
CR59		4822 122 33761	CER.22pF ±5% CG 50V GR39	DD95220300	CU60		4822 051 30222	CHIP,2.2kΩ ±5% 1/16W	NN05222610
CR60		4822 126 11687	CER.GRM39F104Z16 0.1μF	DK98104200	R607				
CR61		4822 124 41539	ELECT.47μF ±20% 16V RA-2	OA47601620	R610		4822 051 30279	CHIP,27Ω ±5% 1/16W	NN05270610
CR62		4822 126 11687	CER.GRM39F104Z16 0.1μF	DK98104200	R611		4822 051 30472	CHIP,4.7kΩ ±5% 1/16W	NN05472610
CR63		4822 124 41539	ELECT.47μF ±20% 16V RA-2	OA47601620	R614				
CR64		4822 126 11687	CER.GRM39F104Z16 0.1μF	DK98104200	R623		4822 051 30472	CHIP,4.7kΩ ±5% 1/16W	NN05472610

NOTE : *nsp* PART IS LISTED FOR REFERENCE ONLY, MARANTZ WILL NOT SUPPLY THESE PARTS.

SR9200

POS. NO	VERS. COLOR	PART NO. (FOR PCS)	DESCRIPTION	PART NO. (MUJ)	POS. NO	VERS. COLOR	PART NO. (FOR PCS)	DESCRIPTION	PART NO. (MUJ)
R624		4822 051 30223	CHIP,22kΩ ±5% 1/16W	NN05223610	RR74		4822 117 12139	CHIP,22Ω ±5% 1/16W	NN05220610
R626		4822 051 30103	CHIP,10kΩ ±5% 1/16W	NN05103610	RR75		4822 051 30109	CHIP,10Ω ±5% 1/16W	NN05100610
R629		4822 051 30223	CHIP,22kΩ ±5% 1/16W	NN05223610	RR76		4822 117 12139	CHIP,22Ω ±5% 1/16W	NN05220610
R630		4822 051 30333	CHIP,33kΩ ±5% 1/16W	NN05333610	RR77		4822 051 30339	CHIP,33Ω ±5% 1/16W	NN05330610
R631		4822 051 30223	CHIP,22kΩ ±5% 1/16W	NN05223610	RU01		4822 051 30123	CHIP,12kΩ ±5% 1/16W	NN05123610
R632		4822 051 30472	CHIP,4.7kΩ ±5% 1/16W	NN05472610	RU02		4822 051 30123	CHIP,12kΩ ±5% 1/16W	NN05123610
R633		4822 051 30472	CHIP,4.7kΩ ±5% 1/16W	NN05472610	RU03		4822 051 30123	CHIP,12kΩ ±5% 1/16W	NN05123610
R636		4822 051 30279	CHIP,27Ω ±5% 1/16W	NN05270610	RU04		4822 051 30222	CHIP,2.2kΩ ±5% 1/16W	NN05222610
R637		4822 051 30109	CHIP,10Ω ±5% 1/16W	NN05100610	RU05		4822 051 30222	CHIP,2.2kΩ ±5% 1/16W	NN05222610
R638		4822 051 30279	CHIP,27Ω ±5% 1/16W	NN05270610	RU06		4822 051 30101	CHIP,100Ω ±5% 1/16W	NN05101610
R640		4822 051 30279	CHIP,27Ω ±5% 1/16W	NN05270610	RU07		4822 051 30302	CHIP,3kΩ ±5% 1/16W	NN05302610
R641		4822 051 30472	CHIP,4.7kΩ ±5% 1/16W	NN05472610	RU08		4822 116 82487	CHIP,0Ω ±5% 1/16W	NN05000610
R644					RU10		4822 116 82487	CHIP,0Ω ±5% 1/16W	NN05000610
}		4822 051 30472	CHIP,4.7kΩ ±5% 1/16W	NN05472610	RU11	/N	4822 051 30472	CHIP,4.7kΩ ±5% 1/16W	NN05472610
R653					RU11	/S		CHIP,1.8kΩ ±5% 1/16W	NN05182610
R654		4822 051 30223	CHIP,22kΩ ±5% 1/16W	NN05223610	RU12	/N	4822 117 11817	CHIP,1.2kΩ ±5% 1/16W	NN05122610
R656		4822 051 30103	CHIP,10kΩ ±5% 1/16W	NN05103610	RU12	/S		CHIP,1kΩ ±5% 1/16W	NN05102610
R657		4822 051 30223	CHIP,22kΩ ±5% 1/16W	NN05223610	RU12	/U		CHIP,0Ω ±5% 1/16W	NN05000610
R658		4822 051 30333	CHIP,33kΩ ±5% 1/16W	NN05333610	RU13		4822 051 30123	CHIP,12kΩ ±5% 1/16W	NN05123610
R659		4822 051 30223	CHIP,22kΩ ±5% 1/16W	NN05223610	RU14		4822 051 30123	CHIP,12kΩ ±5% 1/16W	NN05123610
R660		4822 051 30472	CHIP,4.7kΩ ±5% 1/16W	NN05472610	RU15		4822 051 30473	CHIP,47kΩ ±5% 1/16W	NN05473610
R661		4822 051 30472	CHIP,4.7kΩ ±5% 1/16W	NN05472610	RU17		4822 051 30472	CHIP,4.7kΩ ±5% 1/16W	NN05472610
R662		4822 051 30279	CHIP,27Ω ±5% 1/16W	NN05270610	RU20		4822 051 30123	CHIP,12kΩ ±5% 1/16W	NN05123610
R663		4822 051 30279	CHIP,27Ω ±5% 1/16W	NN05270610	RU21		4822 051 30123	CHIP,12kΩ ±5% 1/16W	NN05123610
R664		4822 051 30279	CHIP,27Ω ±5% 1/16W	NN05270610	RU22		4822 051 30102	CHIP,1kΩ ±5% 1/16W	NN05102610
R665		4822 051 30479	CHIP,47Ω ±5% 1/16W	NN05470610	RU24		4822 117 13632	CHIP,100kΩ ±5% 1/16W	NN05104610
R666		4822 051 30479	CHIP,47Ω ±5% 1/16W	NN05470610	RU25				
R671					}		4822 051 30472	CHIP,4.7kΩ ±5% 1/16W	NN05472610
}		4822 051 30223	CHIP,22kΩ ±5% 1/16W	NN05223610	RU28				
R679					RU29		4822 051 30105	CHIP,1MΩ ±5% 1/16W	NN05105610
R681		4822 051 30339	CHIP,33Ω ±5% 1/16W	NN05330610	RU31		4822 051 30223	CHIP,22kΩ ±5% 1/16W	NN05223610
R682		4822 051 30279	CHIP,27Ω ±5% 1/16W	NN05270610	RU32		4822 051 30223	CHIP,22kΩ ±5% 1/16W	NN05223610
R683		4822 051 30279	CHIP,27Ω ±5% 1/16W	NN05270610	RU37		4822 051 30223	CHIP,22kΩ ±5% 1/16W	NN05223610
R684		4822 051 30109	CHIP,10Ω ±5% 1/16W	NN05100610	RU38		4822 051 30101	CHIP,100Ω ±5% 1/16W	NN05101610
R685		4822 051 30279	CHIP,27Ω ±5% 1/16W	NN05270610	RU39		4822 051 30223	CHIP,22kΩ ±5% 1/16W	NN05223610
R686		4822 051 30279	CHIP,27Ω ±5% 1/16W	NN05270610	RU41		4822 116 83207	CHIP,1.2kΩ ±5% 1/16W	NN05122610
R687		4822 051 30279	CHIP,27Ω ±5% 1/16W	NN05270610	RU42		4822 051 30391	CHIP,390Ω ±5% 1/16W	NN05391610
R688		4822 051 30103	CHIP,10kΩ ±5% 1/16W	NN05103610	RU43		4822 116 83207	CHIP,1.2kΩ ±5% 1/16W	NN05122610
R689		4822 051 30103	CHIP,10kΩ ±5% 1/16W	NN05103610	RU44		4822 051 30222	CHIP,2.2kΩ ±5% 1/16W	NN05222610
R691					RU50		4822 051 30472	CHIP,4.7kΩ ±5% 1/16W	NN05472610
}		4822 051 30223	CHIP,22kΩ ±5% 1/16W	NN05223610	RU51		4822 051 30472	CHIP,4.7kΩ ±5% 1/16W	NN05472610
R694					RU56		4822 051 30223	CHIP,22kΩ ±5% 1/16W	NN05223610
RR30		4822 051 30759	CHIP,75Ω ±5% 1/16W	NN05750610	RU57		4822 051 30223	CHIP,22kΩ ±5% 1/16W	NN05223610
RR31		4822 051 30279	CHIP,27Ω ±5% 1/16W	NN05270610	RU58		4822 051 30472	CHIP,4.7kΩ ±5% 1/16W	NN05472610
RR32		4822 051 30223	CHIP,22kΩ ±5% 1/16W	NN05223610	RU60		4822 051 30479	CHIP,47Ω ±5% 1/16W	NN05470610
RR33		4822 051 30223	CHIP,22kΩ ±5% 1/16W	NN05223610	RU61		4822 051 30221	CHIP,220Ω ±5% 1/16W	NN05221610
RR50		4822 051 30822	CHIP,8.2kΩ ±5% 1/16W	NN05822610	RU62		4822 051 30479	CHIP,47Ω ±5% 1/16W	NN05470610
RR51		9965 000 06300	CHIP,5.1kΩ ±5% 1/16W	NN0551261R	RU63		4822 116 83819	CHIP,18kΩ ±5% 1/16W	NN05183610
RR52		9965 000 06300	CHIP,5.1kΩ ±5% 1/16W	NN0551261R	RU64		4822 051 30221	CHIP,220Ω ±5% 1/16W	NN05221610
RR53		4822 051 30759	CHIP,75Ω ±5% 1/16W	NN05750610	RU65		4822 051 30473	CHIP,47kΩ ±5% 1/16W	NN05473610
RR54		4822 051 30339	CHIP,33Ω ±5% 1/16W	NN05330610	RU66		4822 051 30473	CHIP,47kΩ ±5% 1/16W	NN05473610
RR55		4822 117 12139	CHIP,22Ω ±5% 1/16W	NN05220610	RU67		4822 051 30221	CHIP,220Ω ±5% 1/16W	NN05221610
RR56		4822 117 12139	CHIP,22Ω ±5% 1/16W	NN05220610	RU70		4822 051 30223	CHIP,22kΩ ±5% 1/16W	NN05223610
RR57		4822 117 12139	CHIP,22Ω ±5% 1/16W	NN05220610	RU71		4822 051 30223	CHIP,22kΩ ±5% 1/16W	NN05223610
RR58		4822 051 30339	CHIP,33Ω ±5% 1/16W	NN05330610	RU72				
RR59		4822 051 30105	CHIP,1MΩ ±5% 1/16W	NN05105610	}		4822 116 82487	CHIP,0Ω ±5% 1/16W	NN05000610
RR60		4822 051 30222	CHIP,2.2kΩ ±5% 1/16W	NN05222610	RU78				
RR61		4822 051 30223	CHIP,22kΩ ±5% 1/16W	NN05223610	RU80		4822 050 26809	68Ω ±5% 1/4W	GG05680140
RR63		4822 051 30223	CHIP,22kΩ ±5% 1/16W	NN05223610	RU81		4822 051 30103	CHIP,10kΩ ±5% 1/16W	NN05103610
RR65		4822 051 30223	CHIP,22kΩ ±5% 1/16W	NN05223610	RU82		4822 051 30223	CHIP,22kΩ ±5% 1/16W	NN05223610
RR66		4822 051 30103	CHIP,10kΩ ±5% 1/16W	NN05103610	RU83		4822 051 30682	CHIP,6.8kΩ ±5% 1/16W	NN05682610
RR72		4822 117 12139	CHIP,22Ω ±5% 1/16W	NN05220610	RU84		4822 116 83963	2.2Ω ±5% 1/4W	GG05022140
RR73		4822 051 30339	CHIP,33Ω ±5% 1/16W	NN05330610	RU85		4822 051 30223	CHIP,22kΩ ±5% 1/16W	NN05223610

NOTE : *nsp* PART IS LISTED FOR REFERENCE ONLY, MARANTZ WILL NOT SUPPLY THESE PARTS.

SR9200

POS. NO	VERS. COLOR	PART NO. (FOR PCS)	DESCRIPTION	PART NO. (MUJ)	POS. NO	VERS. COLOR	PART NO. (FOR PCS)	DESCRIPTION	PART NO. (MUJ)
RU87		4822 050 26809	68Ω ±5% 1/4W	GG05680140	QU68		4822 111 92183	DIG. TRS. RN2303 (PNPX1(22K+22K))	BA10013050
RU88		4822 051 30103	CHIP,10kΩ ±5% 1/16W	NN05103610	▲ QU69		4822 130 90347	PHOTO COUPLER,PC-817 1PAIR	HW10006320
RU89		4822 051 30223	CHIP,22kΩ ±5% 1/16W	NN05223610	QU70		9965 000 12647	IC,ATMEL AT24C08 8PIN SOIC	HC10191990
RU90		4822 051 30682	CHIP,6.8kΩ ±5% 1/16W	NN05682610	QU71		5322 209 11578	IC,PCF8574(I/O EXPANDER)	HC10068490
RU91		4822 116 83963	2.2Ω ±5% 1/4W	GG05022140	QU80		4822 130 42949	TRS.2SA970 (GR) OR (BL)	HT109702A0
RU92		4822 051 30223	CHIP,22kΩ ±5% 1/16W	NN05223610	QU81		4822 130 61553	DIG. TRS.DTC124EU,RN1303 UMT TYPE	BA21303000
RU94		4822 116 83963	2.2Ω ±5% 1/4W	GG05022140	QU82		4822 111 92183	DIG. TRS. RN2303 (PNPX1(22K+22K))	BA10013050
RU95		4822 051 30221	CHIP,220Ω ±5% 1/16W	NN05221610	QU83		4822 130 42949	TRS.2SA970 (GR) OR (BL)	HT109702A0
P604- SEMICONDUCTORS					QU84		4822 130 61553	DIG. TRS.DTC124EU,RN1303 UMT TYPE	BA21303000
DU01		4822 130 83715	CHIP DIODE,1SS301	HZ20028050	QU85		4822 111 92183	DIG. TRS. RN2303 (PNPX1(22K+22K))	BA10013050
DU08		4822 130 83715	CHIP DIODE,1SS301	HZ20028050	QU86		4822 130 61553	DIG. TRS.DTC124EU,RN1303 UMT TYPE	BA21303000
DU81		4822 130 83715	CHIP DIODE,1SS301	HZ20028050	J600		9965 000 12754	RETAINER,GND TERMINAL	320J104010
Q600		9965 000 12652	CHIP FET (2SK),HN1K05FU 2SK2824 X 2	HY22010050	JR30		4822 290 81638	TERMINAL,14X14 RA 1L1P BLK AU FLM-GND	YT02010790
Q601		9965 000 12652	CHIP FET (2SK),HN1K05FU 2SK2824 X 2	HY22010050	JR31		9965 000 12657	OPT.CONNECTOR,JFJ300	YJ15000210
Q610		9965 000 12653	IC,CS493292	HC10009880	JU50		9965 000 12342	JACK,DELC-J9PAF-20L9	YJ90001220
Q611		9965 000 04635	AUDIO DSP CRYSTAL	HC009805K0	JU61		4822 267 41009	TERMINAL,2P CINCH PINJACK	YT02020890
Q640		9965 000 12653	IC,CS493292	HC10009880	JU62		9965 000 12343	TERMINAL,CINCH PIN JACK GRN-GRN	YT02021740
Q641		9965 000 04635	IC,TC74VHCT245AFT	HC009805K0	JU80		9965 000 12344	JACK,3.5MM MINI JACK LGA6502-0150	YJ01004750
Q671		9965 000 12654	IC,MBM29LV400TC-90P	HC60021000	JU82		9965 000 03411	JACK,LGY6501-0600 3.5 MINI JACK	YJ01004670
Q673		9965 000 12655	IC,TC74VHCT244AFT	HC009705K0	L691		4822 242 73843	EMI FILTER,DSS306-91-F-223Z	FM12223010
Q674		9965 000 04636	IC,TC74VHC574FT	HC009605K0	LR30		4822 142 60422	PULSE TRANSF. TPS247MN-0386AN)	TP41042030
Q675		9965 000 04636	IC,TC74VHC574FT	HC009605K0	LU01		9965 000 05005	FERRITE CORE, BK1608HM102-T BEADS	FC90020120
Q676		9965 000 04635	IC,TC74VHCT245AFT	HC009805K0	LU54		9965 000 05005	FERRITE CORE, BK1608HM102-T BEADS	FC90020120
Q680		9965 000 11670	IC,TC74VHCT541AFT	HC008805K0	LU71		9965 000 05005	FERRITE CORE, BK1608HM102-T BEADS	FC90020120
Q681		9965 000 04639	IC,TC74VHC08FT TAPING	HC008205K0	LU80		4822 242 73843	EMI FILTER,DSS306-91-F-223Z	FM12223010
Q682		9965 000 12656	IC,TC74VHC32FT	HC009505K0	LU81		9965 000 12347	PUSH SW.SPUJ191000 WITH KNOB	SP02022320
Q683		9965 000 04632	IC,TC74VHC00FS	HC005105K0	LU86		4822 242 73843	EMI FILTER,DSS306-91-F-223Z	FM12223010
Q684		9965 000 12656	IC,TC74VHC32FT	HC009505K0	LU87		9965 000 05005	FERRITE CORE, BK1608HM102-T BEADS	FC90020120
Q685		9965 000 12646	IC,TC74VHC125FT	HC009405K0	SU02		9965 000 12347	PUSH SW.SPUJ191000 WITH KNOB	SP02022320
QR44		9965 000 04639	IC,TC74VHC08FT TAPING	HC008205K0	XR50		4822 242 10851	CRYSTAL,12.288MHZ (AT-49)	JX12013260
QR50		9965 000 06294	IC,LC89055 (SPDIF RECORDER)	HC10405030	XU01		9965 000 12348	SERAMVIB.CSTLS 5.0MHZ	FQ05004050
QR70		9965 000 11670	IC,TC74VHCT541AFT	HC008805K0	P814- BACKUP TRANSF, AC OUTLET CIRCUIT BOARD P814- CAPACITORS ▲ C802 /U CER.DE1607-1F 103M-KH DK17103910 ▲ C803 /U CER.DE1607-1F 103M-KH DK17103910 C804 /U CER.100pF UP050B101K-A DA16101110 C805 /U ELECT.100μF ±20% 10V RA-2 OA10701020 C805 /N/S 4822 126 10364 CER.100pF UP050B101K-A DA16101110 C811 4822 124 23649 ELECT.470μF 25V ±20% RA-2 OA47702520 C812 4822 124 22698 ELECT.47μF ±20% 25V RA-2 OA47602520 ▲ C813 4822 124 80582 ELECT.4700μF 16V OA47801620 C814 4822 122 40617 CER.50V DC 0.1μF +80-20% DD38104010				
QU01		9965 000 12345	IC,H8S/2633 FP-128	HC60022010					
QU02		9965 000 11677	IC,PST600D-2 RESET TAPING	HC10098550					
QU03		4822 111 92183	DIG. TRS. RN2303 (PNPX1(22K+22K))	BA10013050					
QU05		4822 130 61553	DIG. TRS.DTC124EU,RN1303 UMT TYPE	BA21303000					
QU20		9965 000 04632	IC,TC74VHC00FS	HC005105K0					
QU21		9965 000 12646	IC,TC74VHC125FT	HC009405K0					
▲ QU41		9965 000 01771	IC,PQ30RV11	HC36930320					
QU42		4822 130 61553	DIG. TRS.DTC124EU,RN1303 UMT TYPE	BA21303000					
QU43		9965 000 09110	TRS.2SA950 (GR,R)	HT109501A0					
QU50		9965 000 12346	IC,HIN202ECB 16LEAD WIDE BODY	HC10204990					
QU60		4822 130 61553	DIG. TRS.DTC124EU,RN1303 UMT TYPE	BA21303000					
QU61		4822 111 92183	DIG. TRS. RN2303 (PNPX1(22K+22K))	BA10013050					
QU62		4822 130 61553	DIG. TRS.DTC124EU,RN1303 UMT TYPE	BA21303000					
QU63		4822 111 92183	DIG. TRS. RN2303 (PNPX1(22K+22K))	BA10013050					
QU65		4822 111 92183	DIG. TRS. RN2303 (PNPX1(22K+22K))	BA10013050					
QU66		4822 130 61553	DIG. TRS.DTC124EU,RN1303 UMT TYPE	BA21303000					
QU67		4822 111 92183	DIG. TRS. RN2303 (PNPX1(22K+22K))	BA10013050					

NOTE : *nsp* PART IS LISTED FOR REFERENCE ONLY, MARANTZ WILL NOT SUPPLY THESE PARTS.

SR9200

POS. NO	VERS. COLOR	PART NO. (FOR PCS)	DESCRIPTION	PART NO. (MJJ)	POS. NO	VERS. COLOR	PART NO. (FOR PCS)	DESCRIPTION	PART NO. (MJJ)
C815		4822 122 40617	CER.50V DC 0.1µF +80-20%	DD38104010	C831		4822 124 23918	ELECT.ELNA RA2 16X25	OA10805020
C816		4822 122 40617	CER.50V DC 0.1µF +80-20%	DD38104010	C832		4822 124 41542	ELECT.470µF ±20% 50V RA-2	OA47705020
C817		4822 124 90354	ELECT.100µF ±20% 16V RA-2	OA10701620	C833				
			P814- RESISTORS				4822 122 40617	CER.50V DC 0.1µF +80-20%	DD38104010
▲ R801	/U		ROTOR,2.2Ω 7W	NQ15022070	C836				
▲ R802	/U		W/TEMP.FUSE		C837		4822 124 41535	ELECT.100µF ±20% 25V RA-2	OA10702520
			ROTOR,2.2Ω 7W	NQ15022070	C838		4822 124 41535	ELECT.100µF ±20% 25V RA-2	OA10702520
R807		4822 117 10158	W/TEMP.FUSE		C839		4822 124 90355	ELECT.100µF ±20% 50V RA-2	OA10705020
R808	/U		1Ω ±5% 1/4W	GG05010140	C840		4822 122 40617	CER.50V DC 0.1µF +80-20%	DD38104010
R811		4822 052 10471	470Ω ±5% 1/6W	GG05471140	C841		4822 122 40617	CER.50V DC 0.1µF +80-20%	DD38104010
▲ R899	/U		2.2MΩ ±10% 1/2W FOR UL	RC10225820	▲ C842				
			P814- RESISTORS(COMMON)		▲ C845		9965 000 12765	ELECT.35XL90 VNSD	OB18907120
R***			CARBON FILM FIXED RES.		C846		4822 122 40617	CER.50V DC 0.1µF +80-20%	DD38104010
			±5% 1/6W : R803[U] R804[U]		C847		4822 124 41535	ELECT.100µF ±20% 25V RA-2	OA10702520
			R805 R806 R812 R813		C848		4822 122 40617	CER.50V DC 0.1µF +80-20%	DD38104010
			P814- SEMICONDUCTORS		▲ CN07		4822 124 90366	ELECT.220µF ±20% 50V RA-2	OA22705020
D801	/U		DIODE,1D3 1A/200V	HD20002710	CN08		4822 126 10364	CER.100pF UP050B101K-A	DA16101110
D802		4822 130 82421	DIODE,1D3 1A/200V	HD20002710	CN09		4822 126 10364	CER.100pF UP050B101K-A	DA16101110
D803	/U		DIODE,1SS176,MA165,1SS254	HD20002000					
			30V 0.1A						
D804		4822 130 32362	DIODE,1SS176,MA165,1SS254	HD20002000					
			30V 0.1A						
▲ D811									
▲ D816		4822 130 82421	DIODE,1D3 1A/200V	HD20002710					
D817		4822 130 80317	ZENER,5.1V EQUIVALENT	HD30511000					
Q801	/U		TRS.2SA1048 Y OR GR	HT110482B0	R538		4822 052 10331	330Ω ±5% 1/4W	GG05331140
Q802		4822 130 60107	TRS.2SA1048 Y OR GR	HT110482B0	R539		4822 052 10331	330Ω ±5% 1/4W	GG05331140
Q803		4822 130 60588	DIG.TR.S.DTC114ES/UN4211	BA20001000	R831		4822 050 21021	100Ω ±5% 1/4W	GG05101140
			10K,10K		R832		4822 050 21021	100Ω ±5% 1/4W	GG05101140
▲ Q811		4822 209 61847	IC,NJM78M05FA	HC38505090	R833		4822 050 21108	1Ω ±5% 1/2W	GG05010120
Q812		9965 000 11677	IC,PST600D-2 RESET TAPING	HC10098550	R834		4822 117 10158	1Ω ±5% 1/4W	GG05010140
			P814- MISCELLANEOUS		R835		4822 052 10101	100Ω ±5% 1/6W	GG05101160
▲ F801	/U		FUSE,12A 250V	FS11200440	RN24		4822 117 10158	1Ω ±5% 1/4W	GG05010140
			UL,CSA,MITI NO.314						
▲ F801	/N/S	4822 070 36302	FUSE,6.3 A 250V BS LISTED	FS10630850	R***				
▲ J801	/U		JACK,2P AC OUTLET	YJ04002040					
			(CCT1304-0212)						
▲ J801	/N	4822 267 31194	JACK,AC SOKET YKE31-0090	YJ04001640					
▲ L801		4822 280 80773	RELAY,VS24MB-NR TV-8	LY10240240					
▲ L802	/U		POWER RELAY,G5PA-1 5A	LY10120400	D501		4822 130 32362	DIODE,1SS176,MA165,1SS254	HD20002000
▲ L811	/N/S	9965 000 12339	POWER TRANSF.AC230V	TS13521080					
▲ L811	/U		POWER TRANSF.AC120V	TS13521070	D502		4822 130 82421	DIODE,1D3 1A/200V	HD20002710
					D503		4822 130 82421	DIODE,1D3 1A/200V	HD20002710
			P824- POWER SW		▲ D831				
			(EXEPT /U)		▲ D838		4822 130 82421	DIODE,1D3 1A/200V	HD20002710
			CIRCUIT BOARD		D839		4822 130 81729	ZENER,MTZJ33D	HD33301000
			P824- CAPACITORS		D840		4822 130 80318	ZENER,6.8V EQUIVALENT	HD30681000
▲ C801	/N/S		CER.DE1307-1E 472M-KH	DK17472910	▲ D841		9965 000 01578	DIODE,600V 25A	HE20029290
			P824- MISCELLANEOUS		▲ DN01		4822 130 82421	BRIDGE-DI D25XB60	HD20002710
▲ S801	/N/S	9965 000 11695	PUSH SW.MAIN POWER	SP01013800	▲ DN02		4822 130 82421	DIODE,1D3 1A/200V	HD20002710
			ESB92S17B		DN03		4822 130 82609	DIODE,1D3 1A/200V	HD30201000
			P834- POWER SUPPLY		DN04		4822 130 82609	ZENER,MTZJ2.0B	HD30201000
			FOR POWER AMP		Q503		4822 130 60839	TRS.2SC2458 Y OR GR	HT324582B0
			CIRCUIT BOARD		Q504		4822 130 60839	TRS.2SC2458 Y OR GR	HT324582B0
			P834- CAPACITORS		Q505		4822 130 60588	DIG.TR.S.DTC114ES/UN4211	BA20001000
C511		4822 126 10364	CER.100pF UP050B101K-A	DA16101110					
C514		4822 124 23056	ELECT,47µF/16V	EJ47601610	Q506		4822 130 60839	TRS.2SC2458 Y OR GR	HT324582B0

NOTE : *nsp* PART IS LISTED FOR REFERENCE ONLY, MARANTZ WILL NOT SUPPLY THESE PARTS.

SR9200

POS. NO	VERS. COLOR	PART NO. (FOR PCS)	DESCRIPTION	PART NO. (MJJ)	POS. NO	VERS. COLOR	PART NO. (FOR PCS)	DESCRIPTION	PART NO. (MJJ)
CC90		4822 122 40617	PC94- JYRO	DD38104010	CD56		4822 126 11703	CER.0.01µF	DK98103300
			CIRCUIT BOARD		CD59			4822 126 11703	CER.0.01µF
R***			PC94- CAPACITORS		CD60		4822 124 22571	ELECT.10µF ±20% 50V RA-2	OA10605020
			CER.50V DC 0.1µF +80-20%		CD65			4822 121 70089	FILM,820pF ±5% 50V
QC90		4822 130 11143	PC94- RESISTORS(COMMON)	HW10033320	CH01		9965 000 09113		
			CARBON FILM FIXED RES. ±5% 1/6W : RC90		CH08			4822 124 80578	ELECT.22µF 25V ARA
			PC94- SEMICONDUCTORS		CH09		9965 000 06697		
			PHOTO UNIT,GP1A06 2PHASE PHOTOINTERRUPTER		CH16			4822 124 90362	ELECT.22µF ±20% 50V RA-2
CA01		4822 126 13837	PD04- DIG IN/ADC/DAC	DK96104200	CH17		4822 122 33761		
			CIRCUIT BOARD		CH20			4822 124 80578	ELECT.22µF 25V ARA
CA05			PD04- CAPACITORS		CH21		9965 000 05891		
CA06			CER.0.1µF ±10% B 10V		CH24		4822 121 10792	FILM,APSV 221J, 220pF(TP) 100V PP	OF15221540
CA09		4822 126 11687	CER.GRM39F104Z16 0.1µF	DK98104200	CH25		4822 121 10792	FILM,APSV 221J, 220pF(TP) 100V PP	OF15221540
CA10		4822 124 22698	ELECT.47µF ±20% 25V RA-2	OA47602520	CH28		4822 122 33777	CER.47pF ±5% CG 50V GR39	DD95470300
CA12		4822 124 22698	ELECT.47µF ±20% 25V RA-2	OA47602520	CH29		4822 124 80578	ELECT.22µF 25V ARA	OA22602550
CA14		4822 126 11687	CER.GRM39F104Z16 0.1µF	DK98104200	CH32		4822 124 80578	ELECT.22µF 25V ARA	OA22602550
CA20		4822 124 22571	ELECT.10µF ±20% 50V RA-2	OA10605020	CH33		9965 000 05891	FILM,APSV 471J, 470pF(TP) 100V PP	OF15471540
CD01		4822 126 11687	CER.GRM39F104Z16 0.1µF	DK98104200	CH36		9965 000 05891	FILM,APSV 471J, 470pF(TP) 100V PP	OF15471540
CD04		9965 000 01567	ELECT.100µF 10V ARA	OA10701050	CH37		4822 126 11687	CER.GRM39F104Z16 0.1µF	DK98104200
CD05		4822 126 11687	CER.GRM39F104Z16 0.1µF	DK98104200	CH40		4822 124 90362	ELECT.22µF ±20% 50V RA-2	OA22605020
CD12		4822 126 11687	CER.GRM39F104Z16 0.1µF	DK98104200	CH41		4822 122 33777	CER.47pF ±5% CG 50V GR39	DD95470300
CD13		9965 000 01567	ELECT.100µF 10V ARA	OA10701050	CH42		4822 124 80578	ELECT.22µF 25V ARA	OA22602550
CD16		4822 126 11687	CER.GRM39F104Z16 0.1µF	DK98104200	CH43		4822 124 80578	ELECT.22µF 25V ARA	OA22602550
CD17		4822 124 90353	ELECT.100µF ±20% 10V RA-2	OA10701020	CH44		9965 000 05891	FILM,APSV 471J, 470pF(TP) 100V PP	OF15471540
CD20		4822 126 11687	CER.GRM39F104Z16 0.1µF	DK98104200	CH45		9965 000 05891	FILM,APSV 471J, 470pF(TP) 100V PP	OF15471540
CD21		4822 124 22571	ELECT.10µF ±20% 50V RA-2	OA10605020	CH46		4822 126 11687	CER.GRM39F104Z16 0.1µF	DK98104200
CD24		4822 124 22571	ELECT.10µF ±20% 50V RA-2	OA10605020	CH47		4822 124 90362	ELECT.22µF ±20% 50V RA-2	OA22605020
CD25		4822 126 11687	CER.GRM39F104Z16 0.1µF	DK98104200	CH48		4822 124 80578	ELECT.22µF 25V ARA	OA22602550
CD28		4822 124 22571	ELECT.10µF ±20% 50V RA-2	OA10605020	CH49		9965 000 09113	FILM,APSV 271J, 270pF(TP) 100V PP	OF15271540
CD29		4822 126 11687	CER.GRM39F104Z16 0.1µF	DK98104200	CH56		4822 121 70089	FILM,820pF ±5% 50V	DF15821350
CD32		4822 124 22571	ELECT.10µF ±20% 50V RA-2	OA10605020	CJ01		9965 000 09113	FILM,APSV 271J, 270pF(TP) 100V PP	OF15271540
CD33		4822 126 11687	CER.GRM39F104Z16 0.1µF	DK98104200	CJ08		4822 124 80578	ELECT.22µF 25V ARA	OA22602550
CD36		4822 124 22571	ELECT.10µF ±20% 50V RA-2	OA10605020	CJ09		4822 124 80578	ELECT.22µF 25V ARA	OA22602550
CD37		4822 126 11703	CER.0.01µF	DK98103300	CJ16		4822 124 80578	ELECT.22µF 25V ARA	OA22602550
CD40		4822 126 11759	CER.100pF ±5% CG 50V GR39	DD95101300	CJ17		4822 124 90362	ELECT.22µF ±20% 50V RA-2	OA22605020
CD41		4822 126 11703	CER.0.01µF	DK98103300	CJ18		4822 124 80578	ELECT.22µF 25V ARA	OA22602550
CD44		4822 126 11703	CER.0.01µF	DK98103300	CJ19		4822 124 80578	ELECT.22µF 25V ARA	OA22602550
CD50		4822 126 11703	CER.0.01µF	DK98103300	CJ20		4822 124 80578	ELECT.22µF 25V ARA	OA22602550
CD53		4822 126 11687	CER.GRM39F104Z16 0.1µF	DK98104200	CJ21		9965 000 06697	FILM,APSV 561J 560pF(TP) 100V PP	OF15561540
CD54		4822 126 11687	CER.GRM39F104Z16 0.1µF	DK98104200	CJ24				
CD55		4822 126 11687	CER.GRM39F104Z16 0.1µF	DK98104200					

NOTE : *nsp* PART IS LISTED FOR REFERENCE ONLY, MARANTZ WILL NOT SUPPLY THESE PARTS.

SJR9200

POS. NO	VERS. COLOR	PART NO. (FOR PCS)	DESCRIPTION	PART NO. (MJJ)	POS. NO	VERS. COLOR	PART NO. (FOR PCS)	DESCRIPTION	PART NO. (MJJ)
CJ25					RA06				
}		4822 124 90362	ELECT.22µF ±20% 50V RA-2	OA22605020	}		4822 051 30102	CHIP,1kΩ ±5% 1/16W	NN05102610
CJ28					RA10				
CJ29					RA11				
}		4822 122 33761	CER.22pF ±5% CG 50V GR39	DD95220300	}		4822 117 13632	CHIP,100kΩ ±5% 1/16W	NN05104610
CJ32					RA15				
CJ33		4822 124 80578	ELECT.22µF 25V ARA	OA22602550	RA16				
CJ34		4822 124 90362	ELECT.22µF ±20% 50V RA-2	OA22605020	}		4822 051 30472	CHIP,4.7kΩ ±5% 1/16W	NN05472610
CJ35		4822 124 80578	ELECT.22µF 25V ARA	OA22602550	RA20				
CJ36		4822 124 80578	ELECT.22µF 25V ARA	OA22602550	RA21				
CJ37					}		4822 051 30103	CHIP,10kΩ ±5% 1/16W	NN05103610
}		9965 000 05891	FILM,APSV 471J, 470pF(TP) 100V PP	OF15471540	RA24				
CJ40					RD01				
CJ41					}		4822 051 30102	CHIP,1kΩ ±5% 1/16W	NN05102610
}		4822 126 11687	CER.GRM39F104Z16 0.1µF	DK98104200	RD08				
CJ48					RD09		4822 051 30103	CHIP,10kΩ ±5% 1/16W	NN05103610
CK01		4822 111 41305	0Ω ±5% 1/4W	GD05000140	RH01				
CK02		4822 111 41305	0Ω ±5% 1/4W	GD05000140	}		4822 051 30222	CHIP,2.2kΩ ±5% 1/16W	NN05222610
CK03		4822 124 90362	ELECT.22µF ±20% 50V RA-2	OA22605020	RH28				
CK04		4822 124 90362	ELECT.22µF ±20% 50V RA-2	OA22605020	RH29				
CK05		4822 122 33753	CER.150pF ±5% CG 50V GR39	DD95151300	}		4822 117 13632	CHIP,100kΩ ±5% 1/16W	NN05104610
CK06		4822 122 33753	CER.150pF ±5% CG 50V GR39	DD95151300	RH32				
CK07		4822 126 11759	CER.100pF ±5% CG 50V GR39	DD95101300	RH33		4822 051 30223	CHIP,22kΩ ±5% 1/16W	NN05223610
CK08		4822 126 11759	CER.100pF ±5% CG 50V GR39	DD95101300	RH34		4822 051 30223	CHIP,22kΩ ±5% 1/16W	NN05223610
CK09		9965 000 05891	FILM,APSV 471J, 470pF(TP) 100V PP	OF15471540	RH35		4822 051 30103	CHIP,10kΩ ±5% 1/16W	NN05103610
					RH36		4822 051 30103	CHIP,10kΩ ±5% 1/16W	NN05103610
CK10		9965 000 05891	FILM,APSV 471J, 470pF(TP) 100V PP	OF15471540	RH37		4822 116 83217	CHIP,560kΩ ±5% 1/16W	NN05564610
					RH38		4822 116 83217	CHIP,560kΩ ±5% 1/16W	NN05564610
CK11					RH39		4822 116 83209	CHIP,120kΩ ±5% 1/16W	NN05124610
}		4822 126 11687	CER.GRM39F104Z16 0.1µF	DK98104200	RH40		4822 116 83209	CHIP,120kΩ ±5% 1/16W	NN05124610
CK17					RH41				
CK18		4822 124 22571	ELECT.10µF ±20% 50V RA-2	OA10605020	}		4822 051 30103	CHIP,10kΩ ±5% 1/16W	NN05103610
CK19		4822 124 41543	ELECT.1µF ±20% 50V RA-2	OA10505020	RH44				
CK20		4822 124 41543	ELECT.1µF ±20% 50V RA-2	OA10505020	RH45				
CK21					}		4822 051 30471	CHIP,470Ω ±5% 1/16W	NN05471610
}		4822 122 33777	CER.47pF ±5% CG 50V GR39	DD95470300	RH48				
CK24					RH49				
CK25		4822 126 11687	CER.GRM39F104Z16 0.1µF	DK98104200	}		4822 117 13632	CHIP,100kΩ ±5% 1/16W	NN05104610
CK26		4822 126 11687	CER.GRM39F104Z16 0.1µF	DK98104200	RH52				
CK27		4822 122 33777	CER.47pF ±5% CG 50V GR39	DD95470300	RH53		4822 051 30472	CHIP,4.7kΩ ±5% 1/16W	NN05472610
CK28		4822 122 33777	CER.47pF ±5% CG 50V GR39	DD95470300	RH54		4822 051 30472	CHIP,4.7kΩ ±5% 1/16W	NN05472610
CK29		9965 000 08352	CER.0.1µF 50V F C1608JF1H104Z	DK98104300	RH55		4822 051 30332	CHIP,3.3kΩ ±5% 1/16W	NN05332610
					RH56		4822 051 30332	CHIP,3.3kΩ ±5% 1/16W	NN05332610
CK30		9965 000 00599	CER.0.22µF ±10% B 10V	DK96224200	RH57		4822 051 30472	CHIP,4.7kΩ ±5% 1/16W	NN05472610
CK51		4822 126 11687	CER.GRM39F104Z16 0.1µF	DK98104200	RH58		4822 051 30472	CHIP,4.7kΩ ±5% 1/16W	NN05472610
CK52		4822 126 11687	CER.GRM39F104Z16 0.1µF	DK98104200	RH59		4822 051 30332	CHIP,3.3kΩ ±5% 1/16W	NN05332610
CK53		4822 124 22571	ELECT.10µF ±20% 50V RA-2	OA10605020	RH60		4822 051 30332	CHIP,3.3kΩ ±5% 1/16W	NN05332610
CK54		4822 124 22571	ELECT.10µF ±20% 50V RA-2	OA10605020	RH61		4822 051 30471	CHIP,470Ω ±5% 1/16W	NN05471610
CK55		9965 000 06287	CER.GRM39F224Z16 0.22µF	DK98224200	RH62		4822 051 30471	CHIP,470Ω ±5% 1/16W	NN05471610
CK56		9965 000 06287	CER.GRM39F224Z16 0.22µF	DK98224200	RH63		4822 117 13632	CHIP,100kΩ ±5% 1/16W	NN05104610
CK57		4822 126 11687	CER.GRM39F104Z16 0.1µF	DK98104200	RH64		4822 117 13632	CHIP,100kΩ ±5% 1/16W	NN05104610
CK58		4822 126 11687	CER.GRM39F104Z16 0.1µF	DK98104200	RJ01				
CK59		4822 124 90353	ELECT.100µF ±20% 10V RA-2	OA10701020	}		4822 051 30222	CHIP,2.2kΩ ±5% 1/16W	NN05222610
CK60		4822 124 90353	ELECT.100µF ±20% 10V RA-2	OA10701020	RJ28				
CK61		4822 126 11568	CER.470pF (GR39)	DK96471300	RJ29				
CK68		4822 126 11568	CER.470pF (GR39)	DK96471300	}		4822 117 13632	CHIP,100kΩ ±5% 1/16W	NN05104610
					RJ32				
					RJ33		4822 051 30223	CHIP,22kΩ ±5% 1/16W	NN05223610
					RJ34		4822 051 30472	CHIP,4.7kΩ ±5% 1/16W	NN05472610
					RJ35		4822 051 30103	CHIP,10kΩ ±5% 1/16W	NN05103610
RA01		4822 051 30759	CHIP,75Ω ±5% 1/16W	NN05750610	RJ36		4822 051 30103	CHIP,10kΩ ±5% 1/16W	NN05103610
}					RJ37		4822 116 83217	CHIP,560kΩ ±5% 1/16W	NN05564610
RA05					RJ38		4822 051 30683	CHIP,68kΩ ±5% 1/16W	NN05683610

PD04- RESISTORS

NOTE : *nsp* PART IS LISTED FOR REFERENCE ONLY, MARANTZ WILL NOT SUPPLY THESE PARTS.

SR9200

POS. NO	VERS. COLOR	PART NO. (FOR PCS)	DESCRIPTION	PART NO. (MUJ)	POS. NO	VERS. COLOR	PART NO. (FOR PCS)	DESCRIPTION	PART NO. (MUJ)
RJ39		4822 116 83209	CHIP,120kΩ ±5% 1/16W	NN05124610				PD04- SEMICONDUCTORS	
RJ40		4822 116 83209	CHIP,120kΩ ±5% 1/16W	NN05124610	DA01				
RJ41					DA05		4822 130 81324	CHIP DIODE,1SS302	HZ20018050
RJ44		4822 051 30103	CHIP,10kΩ ±5% 1/16W	NN05103610	DK01				
RJ45					DK05		4822 130 81324	CHIP DIODE,1SS302	HZ20018050
RJ48		4822 051 30471	CHIP,470Ω ±5% 1/16W	NN05471610	DK70		4822 130 81324	CHIP DIODE,1SS302	HZ20018050
RJ49					DK71		4822 130 81324	CHIP DIODE,1SS302	HZ20018050
RJ52		4822 117 13632	CHIP,100kΩ ±5% 1/16W	NN05104610	QA01		4822 209 31568	IC,CMOS 74HCU04 FLAT TAPING	HC700400Z0
RK01		4822 051 30682	CHIP,6.8kΩ ±5% 1/16W	NN05682610	QA02		4822 209 31568	IC,CMOS 74HCU04 FLAT TAPING	HC700400Z0
RK02		4822 051 30682	CHIP,6.8kΩ ±5% 1/16W	NN05682610	QA03		9965 000 01342	IC,TC74HC151AF	HC715100Z0
RK03		4822 051 30392	CHIP,3.9kΩ ±5% 1/16W	NN05392610	QA04		9965 000 01342	IC,TC74HC151AF	HC715100Z0
RK04		4822 051 30392	CHIP,3.9kΩ ±5% 1/16W	NN05392610	QA05		4822 209 31929	IC,OR-GATE 74HC32	HC703200Z0
RK05		4822 051 30272	CHIP,2.7kΩ ±5% 1/16W	NN05272610	QA06		4822 209 30426	IC,CMOS 74HC00 FLAT TAPING	HC700000Z0
RK06		4822 051 30272	CHIP,2.7kΩ ±5% 1/16W	NN05272610	QA07		5322 209 11578	IC,PCF8574(I/O EXPANDER)	HC10068490
RK07		4822 051 30222	CHIP,2.2kΩ ±5% 1/16W	NN05222610	QD01				
RK08		4822 051 30222	CHIP,2.2kΩ ±5% 1/16W	NN05222610			9965 000 12651	IC,24BIT 192KHZ DAC DR=120DB	HC10011880
RK09		4822 051 30472	CHIP,4.7kΩ ±5% 1/16W	NN05472610					
RK10		4822 051 30472	CHIP,4.7kΩ ±5% 1/16W	NN05472610	QD04				
RK11					QH01				
RK14		4822 051 30103	CHIP,10kΩ ±5% 1/16W	NN05103610			4822 209 17155	IC,NJM2068M TAPING	HC10102090
RK15					QH05				
RK18		4822 051 30331	CHIP,330Ω ±5% 1/16W	NN05331610	QJ01				
RK19		4822 051 30222	CHIP,2.2kΩ ±5% 1/16W	NN05222610			4822 209 17155	IC,NJM2068M TAPING	HC10102090
RK20		4822 051 30222	CHIP,2.2kΩ ±5% 1/16W	NN05222610	QJ04				
RK21		4822 051 30105	CHIP,1MΩ ±5% 1/16W	NN05105610	QK01		4822 130 63601	CHIP TRS.(2SC),2SC4213	HX342132A0
RK23					QK02		4822 130 63601	CHIP TRS.(2SC),2SC4213	HX342132A0
RK28		4822 051 30223	CHIP,22kΩ ±5% 1/16W	NN05223610	QK03		4822 209 14615	IC,NJM2115M	HC10172090
RK29		4822 051 30473	CHIP,47kΩ ±5% 1/16W	NN05473610	QK04		4822 209 14615	IC,NJM2115M	HC10172090
RK30		4822 051 30473	CHIP,47kΩ ±5% 1/16W	NN05473610	QK05		4822 209 17155	IC,NJM2068M TAPING	HC10102090
RK31		4822 051 30472	CHIP,4.7kΩ ±5% 1/16W	NN05472610	QK06		4822 209 17155	IC,NJM2068M TAPING	HC10102090
RK32		4822 051 30473	CHIP,47kΩ ±5% 1/16W	NN05473610	QK07		4822 130 61903	DIG.TR.S.DTA114EU	BA10026210
RK33		4822 051 30103	CHIP,10kΩ ±5% 1/16W	NN05103610	QK08		4822 209 14615	IC,NJM2115M	HC10172090
RK34		4822 116 83215	CHIP,5.6kΩ ±5% 1/16W	NN05562610	QK51		9965 000 09111	IC,ADC AK5383VS 96kHz24BIT	HC10033480
RK35		4822 051 30103	CHIP,10kΩ ±5% 1/16W	NN05103610	QK70		4822 130 61903	DIG.TR.S.DTA114EU	BA10026210
RK36		4822 116 83215	CHIP,5.6kΩ ±5% 1/16W	NN05562610	QK71		4822 130 42292	TRS.2SC2120 O	HT321201A0
RK37		4822 051 30103	CHIP,10kΩ ±5% 1/16W	NN05103610	QK72		4822 130 61903	DIG.TR.S.DTA114EU	BA10026210
RK39		4822 051 30684	CHIP,680kΩ ±5% 1/16W	NN05684610	QK73		4822 130 42292	TRS.2SC2120 O	HT321201A0
RK40		4822 051 30684	CHIP,680kΩ ±5% 1/16W	NN05684610	JA01		4822 267 41157	TERMINAL,14X14 RA 1L3P BLK AU F-SHIELD	YT02030610
RK41		4822 051 30684	CHIP,680kΩ ±5% 1/16W	NN05684610	JA02		9965 000 01340	TERMINAL,CINCH 2P AU(BL) FRONT SHIELDED	YT02021540
RK42		4822 051 30473	CHIP,47kΩ ±5% 1/16W	NN05473610	JA03				
RK43		4822 051 30684	CHIP,680kΩ ±5% 1/16W	NN05684610			9965 000 12658	OPT.CONNECTOR,JFJ400	YJ15000200
RK44		4822 051 30472	CHIP,4.7kΩ ±5% 1/16W	NN05472610	JA06				
RK46		4822 051 30103	CHIP,10kΩ ±5% 1/16W	NN05103610	LD01				
RK47		4822 051 30103	CHIP,10kΩ ±5% 1/16W	NN05103610			4822 242 73843	EMI FILTER,DSS306-91-F-223Z	FM12223010
RK48		4822 051 30103	CHIP,10kΩ ±5% 1/16W	NN05103610	LD04				
RK49		4822 051 30332	CHIP,3.3kΩ ±5% 1/16W	NN05332610	LK70		9965 000 01576	RELAY,MR82-24USR	LY20240480
RK50		4822 051 30332	CHIP,3.3kΩ ±5% 1/16W	NN05332610	LK71		9965 000 01576	RELAY,MR82-24USR	LY20240480
RK51		4822 051 30103	CHIP,10kΩ ±5% 1/16W	NN05103610					
RK58		4822 051 30471	CHIP,470Ω ±5% 1/16W	NN05471610					
RK70									
RK73		4822 051 30103	CHIP,10kΩ ±5% 1/16W	NN05103610				PF04- SCART	
RK74		4822 052 10681	680Ω ±5% 1/6W	GG05681160				CIRCUIT BOARD (I/N ONLY)	
RK75		4822 052 10681	680Ω ±5% 1/6W	GG05681160				PF04- CAPACITORS	
RK76		4822 051 30103	CHIP,10kΩ ±5% 1/16W	NN05103610	CF81	/N	4822 122 30043	CER.0.01μF Z 50V	DK18103310
RK77		4822 051 30103	CHIP,10kΩ ±5% 1/16W	NN05103610	CF82	/N	5322 124 21731	ELECT.10μF ±20% 50V RA-2	OA10605020

NOTE : *nsp* PART IS LISTED FOR REFERENCE ONLY, MARANTZ WILL NOT SUPPLY THESE PARTS.

SR9200

POS. NO	VERS. COLOR	PART NO. (FOR PCS)	DESCRIPTION	PART NO. (MJ)	POS. NO	VERS. COLOR	PART NO. (FOR PCS)	DESCRIPTION	PART NO. (MJ)
RF83	N	4822 116 82805	PF04- RESISTORS 1Ω ±5% 1/6W	GG05010160	LF56	/S/U		RELAY,MR82-24USR	LY20240480
R***			PF04- RESISTORS(COMMON) CARBON FILM FIXED RES. ±5% 1/6W : RF81/[N] RF82/[N]		LF57	/S/U		RELAY,MR82-24USR	LY20240480
					LF59	/S/U		RELAY,MR82-24USR	LY20240480
DF81	N	4822 130 32362	PF04- SEMICONDUCTORS DIODE,1SS176,MA165,1SS254 30V 0.1A	HD20002000	CE01		4822 124 90362	ELECT.22μF ±20% 50V RA-2	OA22605020
QF81	N	4822 130 60839	TRS.2SC2458 Y OR GR	HT324582B0	CE02		4822 124 90362	ELECT.22μF ±20% 50V RA-2	OA22605020
JF81	N	9965 000 08366	PF04- MISCELLANEOUS TERMINAL,YKF41-5040	YT02210070	CE03		4822 124 22571	ELECT.10μF ±20% 50V RA-2	OA10605020
JF82	N	9965 000 08366	TERMINAL,YKF41-5040	YT02210070	CE04		4822 124 22571	ELECT.10μF ±20% 50V RA-2	OA10605020
LF81	N	9965 000 01576	RELAY,MR82-24USR	LY20240480	CE05		9965 000 01344	FILM,100pF ±5% 100V APSV	OF15101540
					CE06		9965 000 01344	FILM,100pF ±5% 100V APSV	OF15101540
					CE07		4822 122 40617	CER.50V DC 0.1μF +80-20%	DD38104010
					CE08		4822 122 40617	CER.50V DC 0.1μF +80-20%	DD38104010
					CE09		4822 124 90362	ELECT.22μF ±20% 50V RA-2	OA22605020
					CE10		4822 124 90362	ELECT.22μF ±20% 50V RA-2	OA22605020
					CE11		9965 000 02015	ELECT.22μF ±20% 25V ARS	OA22602540
					CE12		9965 000 02015	ELECT.22μF ±20% 25V ARS	OA22602540
CF61	/S/U		PF14- COMPONENT CIRCUIT BOARD PF14- CAPACITORS CER.0.01μF Z 50V	DK18103310	CE13		4822 124 22571	ELECT.10μF ±20% 50V RA-2	OA10605020
CF62	/S/U		ELECT.10μF ±20% 50V RA-2	OA10605020	CE14		4822 124 22571	ELECT.10μF ±20% 50V RA-2	OA10605020
CF63	/S/U		ELECT.470μF ±20% 6.3V RA-2	OA47700620	CE15		9965 000 01344	FILM,100pF ±5% 100V APSV	OF15101540
					CE16		9965 000 01344	FILM,100pF ±5% 100V APSV	OF15101540
RF53	/S/U		PF14- RESISTORS 1Ω ±5% 1/6W	GG05010160	CE17		4822 122 40617	CER.50V DC 0.1μF +80-20%	DD38104010
RF56	/S/U		1Ω ±5% 1/6W	GG05010160	CE18		4822 122 40617	CER.50V DC 0.1μF +80-20%	DD38104010
RF59	/S/U		1Ω ±5% 1/6W	GG05010160	CE19		4822 124 22698	ELECT.47μF ±20% 25V RA-2	OA47602520
RF76	/S/U		1Ω ±5% 1/6W	GG05010160	CE20		4822 124 22698	ELECT.47μF ±20% 25V RA-2	OA47602520
RF77	/S/U		75Ω ±5% 1/6W	GD05750160	CE21		9965 000 05891	FILM,APSV 471J, 470pF(TP) 100V PP	OF15471540
					CE22		9965 000 05891	FILM,APSV 471J, 470pF(TP) 100V PP	OF15471540
R***			PF14- RESISTORS(COMMON) CARBON FILM FIXED RES. ±5% 1/6W : RF51-RF52/[S/U] RF54-RF55/[S/U] RF57-RF58/[S/U] RF74-RF75/[S/U]		CE23		4822 121 10792	FILM,APSV 221J, 220pF(TP) 100V PP	OF15221540
					CE24		4822 121 10792	FILM,APSV 221J, 220pF(TP) 100V PP	OF15221540
					CE25		9965 000 05891	FILM,APSV 471J, 470pF(TP) 100V PP	OF15471540
DF51	/S/U		PF14- SEMICONDUCTORS DIODE,1SS176,MA165,1SS254 30V 0.1A	HD20002000	CE26		9965 000 05891	FILM,APSV 471J, 470pF(TP) 100V PP	OF15471540
DF52	/S/U		DIODE,1SS176,MA165,1SS254 30V 0.1A	HD20002000	CE41		4822 124 22698	ELECT.47μF ±20% 25V RA-2	OA47602520
DF53	/S/U		DIODE,1SS176,MA165,1SS254 30V 0.1A	HD20002000	CE42		4822 122 40617	CER.50V DC 0.1μF +80-20%	DD38104010
DF54	/S/U		DIODE,1SS176,MA165,1SS254 30V 0.1A	HD20002000	CE43		4822 124 22698	ELECT.47μF ±20% 25V RA-2	OA47602520
QF51	/S/U		TRS.2SC2458 Y OR GR	HT324582B0	CE44		4822 122 40617	CER.50V DC 0.1μF +80-20%	DD38104010
QF52	/S/U		TRS.2SC2458 Y OR GR	HT324582B0	CE49		4822 124 90354	ELECT.100μF ±20% 16V RA-2	OA10701620
QF53	/S/U		TRS.2SC2458 Y OR GR	HT324582B0	CE50		4822 124 90354	ELECT.100μF ±20% 16V RA-2	OA10701620
QF54	/S/U		TRS.2SC2458 Y OR GR	HT324582B0	CE51		4822 124 90362	ELECT.22μF ±20% 50V RA-2	OA22605020
					CE52		4822 124 90362	ELECT.22μF ±20% 50V RA-2	OA22605020
					CE53		4822 124 22571	ELECT.10μF ±20% 50V RA-2	OA10605020
					CE54		4822 124 22571	ELECT.10μF ±20% 50V RA-2	OA10605020
					CE55		9965 000 01344	FILM,100pF ±5% 100V APSV	OF15101540
JF51	/S/U		PF14- MISCELLANEOUS TERMINAL,YKC21-4076 1L3 FS AU	YT02030700	CE57		4822 122 40617	CER.50V DC 0.1μF +80-20%	DD38104010
JF52	/S/U		TERMINAL,6P CINCH R/G/B DUAL GND 2L6P	YT02060640	CE58		4822 122 40617	CER.50V DC 0.1μF +80-20%	DD38104010
JF53	/S/U		TERMINAL,6P CINCH R/G/B DUAL GND 2L6P	YT02060640	CE59		4822 124 90362	ELECT.22μF ±20% 50V RA-2	OA22605020
LF51	/S/U		RELAY,MR82-24USR	LY20240480	CE60		4822 124 90362	ELECT.22μF ±20% 50V RA-2	OA22605020
LF52	/S/U		RELAY,MR82-24USR	LY20240480	CE61		9965 000 02015	ELECT.22μF ±20% 25V ARS	OA22602540
LF53	/S/U		RELAY,MR82-24USR	LY20240480	CE62		4822 124 90362	ELECT.22μF ±20% 50V RA-2	OA22605020
LF54	/S/U		RELAY,MR82-24USR	LY20240480	CE63		4822 124 22571	ELECT.10μF ±20% 50V RA-2	OA10605020
LF55	/S/U		RELAY,MR82-24USR	LY20240480	CE64		4822 124 22698	ELECT.47μF ±20% 25V RA-2	OA47602520
					CE65		9965 000 01344	FILM,100pF ±5% 100V APSV	OF15101540
					CE66		4822 122 40617	CER.50V DC 0.1μF +80-20%	DD38104010
					CE67		4822 122 40617	CER.50V DC 0.1μF +80-20%	DD38104010
					CE68		4822 122 40617	CER.50V DC 0.1μF +80-20%	DD38104010

NOTE : *nsp* PART IS LISTED FOR REFERENCE ONLY, MARANTZ WILL NOT SUPPLY THESE PARTS.

SR9200

POS. NO	VERS. COLOR	PART NO. (FOR PCS)	DESCRIPTION	PART NO. (MJJ)	POS. NO	VERS. COLOR	PART NO. (FOR PCS)	DESCRIPTION	PART NO. (MJJ)
RE03					RG07				
}		4822 111 90895	CHIP,10kΩ ±5% 1/10W	NI05103110	}		4822 111 90919	CHIP,47kΩ ±5% 1/10W	NI05473110
RE06					RG10				
RE07					RG11		4822 111 90922	CHIP,5.6kΩ ±5% 1/10W	NI05562110
}		4822 111 90919	CHIP,47kΩ ±5% 1/10W	NI05473110	RG12		4822 111 90922	CHIP,5.6kΩ ±5% 1/10W	NI05562110
RE10					RG13		4822 111 90918	CHIP,4.7kΩ ±5% 1/10W	NI05472110
RE11		4822 111 90922	CHIP,5.6kΩ ±5% 1/10W	NI05562110	RG14		4822 111 90918	CHIP,4.7kΩ ±5% 1/10W	NI05472110
RE12		4822 111 90922	CHIP,5.6kΩ ±5% 1/10W	NI05562110	RG15		4822 111 90926	CHIP,8.2kΩ ±5% 1/10W	NI05822110
RE13		4822 111 90918	CHIP,4.7kΩ ±5% 1/10W	NI05472110	RG16		4822 111 90926	CHIP,8.2kΩ ±5% 1/10W	NI05822110
RE14		4822 111 90918	CHIP,4.7kΩ ±5% 1/10W	NI05472110	RG17		4822 111 90919	CHIP,47kΩ ±5% 1/10W	NI05473110
RE15		4822 111 90926	CHIP,8.2kΩ ±5% 1/10W	NI05822110	RG18		4822 111 90919	CHIP,47kΩ ±5% 1/10W	NI05473110
RE16		4822 111 90926	CHIP,8.2kΩ ±5% 1/10W	NI05822110	RG19				
RE17		4822 111 90919	CHIP,47kΩ ±5% 1/10W	NI05473110	}		4822 111 90905	CHIP,220Ω ±5% 1/10W	NI05221110
RE18		4822 111 90919	CHIP,47kΩ ±5% 1/10W	NI05473110	RG22				
RE19					RG23				
}		4822 111 90905	CHIP,220Ω ±5% 1/10W	NI05221110	}		4822 111 90918	CHIP,4.7kΩ ±5% 1/10W	NI05472110
RE22					RG26				
RE23					RG27		2322 734 63309	CHIP,33Ω ±5% 1/10W	NI05330110
}		4822 111 90918	CHIP,4.7kΩ ±5% 1/10W	NI05472110	RG28		2322 734 63309	CHIP,33Ω ±5% 1/10W	NI05330110
RE26					RG40		4822 111 90893	CHIP,100Ω ±5% 1/10W	NI05101110
RE27		2322 734 63309	CHIP,33Ω ±5% 1/10W	NI05330110	RG41		4822 111 90897	CHIP,1MΩ ±5% 1/10W	NI05105110
RE28		2322 734 63309	CHIP,33Ω ±5% 1/10W	NI05330110	RG51		4822 111 90919	CHIP,47kΩ ±5% 1/10W	NI05473110
RE40		4822 111 90893	CHIP,100Ω ±5% 1/10W	NI05101110	RG52		4822 111 90919	CHIP,47kΩ ±5% 1/10W	NI05473110
RE41		4822 111 90897	CHIP,1MΩ ±5% 1/10W	NI05105110	RG53				
RE43		4822 111 90893	CHIP,100Ω ±5% 1/10W	NI05101110	}		4822 111 90895	CHIP,10kΩ ±5% 1/10W	NI05103110
RE44		4822 111 90893	CHIP,100Ω ±5% 1/10W	NI05101110	RG56				
RE45		4822 111 90895	CHIP,10kΩ ±5% 1/10W	NI05103110	RG57				
RE47		4822 111 90895	CHIP,10kΩ ±5% 1/10W	NI05103110	}		4822 111 90919	CHIP,47kΩ ±5% 1/10W	NI05473110
RE48		4822 111 90895	CHIP,10kΩ ±5% 1/10W	NI05103110	RG60				
RE49		4822 050 21501	150Ω ±5% 1/2W	GG05151120	RG61		4822 111 90922	CHIP,5.6kΩ ±5% 1/10W	NI05562110
RE51		4822 111 90919	CHIP,47kΩ ±5% 1/10W	NI05473110	RG62		4822 111 90922	CHIP,5.6kΩ ±5% 1/10W	NI05562110
RE52		4822 111 90919	CHIP,47kΩ ±5% 1/10W	NI05473110	RG63		4822 111 90918	CHIP,4.7kΩ ±5% 1/10W	NI05472110
RE53		4822 111 90895	CHIP,10kΩ ±5% 1/10W	NI05103110	RG64		4822 111 90918	CHIP,4.7kΩ ±5% 1/10W	NI05472110
RE54		4822 111 90911	CHIP,27kΩ ±5% 1/10W	NI05273110	RG65		4822 111 90926	CHIP,8.2kΩ ±5% 1/10W	NI05822110
RE55		4822 111 90895	CHIP,10kΩ ±5% 1/10W	NI05103110	RG66		4822 111 90926	CHIP,8.2kΩ ±5% 1/10W	NI05822110
RE56		4822 111 90895	CHIP,10kΩ ±5% 1/10W	NI05103110	RG67		4822 111 90919	CHIP,47kΩ ±5% 1/10W	NI05473110
RE57					RG68		4822 111 90919	CHIP,47kΩ ±5% 1/10W	NI05473110
}		4822 111 90919	CHIP,47kΩ ±5% 1/10W	NI05473110	RG69				
RE60					}		4822 111 90905	CHIP,220Ω ±5% 1/10W	NI05221110
RE61		4822 111 90922	CHIP,5.6kΩ ±5% 1/10W	NI05562110	RG72				
RE62		4822 111 91369	CHIP,1.5kΩ ±5% 1/10W	NI05152110	RG73				
RE63		4822 111 90918	CHIP,4.7kΩ ±5% 1/10W	NI05472110	}		4822 111 90918	CHIP,4.7kΩ ±5% 1/10W	NI05472110
RE64		4822 111 90902	CHIP,1.8kΩ ±5% 1/10W	NI05182110	RG76				
RE65		4822 111 90926	CHIP,8.2kΩ ±5% 1/10W	NI05822110	RG77		2322 734 63309	CHIP,33Ω ±5% 1/10W	NI05330110
RE66		4822 111 90926	CHIP,8.2kΩ ±5% 1/10W	NI05822110	RG78		2322 734 63309	CHIP,33Ω ±5% 1/10W	NI05330110
RE67		4822 111 90919	CHIP,47kΩ ±5% 1/10W	NI05473110	RG90		4822 111 90893	CHIP,100Ω ±5% 1/10W	NI05101110
RE68		4822 111 90919	CHIP,47kΩ ±5% 1/10W	NI05473110	RG91		4822 111 90897	CHIP,1MΩ ±5% 1/10W	NI05105110
RE69					RM01		4822 111 90919	CHIP,47kΩ ±5% 1/10W	NI05473110
}		4822 111 90905	CHIP,220Ω ±5% 1/10W	NI05221110	RM02		4822 111 90919	CHIP,47kΩ ±5% 1/10W	NI05473110
RE72					RM03				
RE73					}		4822 111 90895	CHIP,10kΩ ±5% 1/10W	NI05103110
}		4822 111 90918	CHIP,4.7kΩ ±5% 1/10W	NI05472110	RM06				
RE76					RM07				
RE77		2322 734 63309	CHIP,33Ω ±5% 1/10W	NI05330110	}		4822 111 90919	CHIP,47kΩ ±5% 1/10W	NI05473110
RE78		2322 734 63309	CHIP,33Ω ±5% 1/10W	NI05330110	RM10				
RE90		4822 111 90893	CHIP,100Ω ±5% 1/10W	NI05101110	RM11		4822 111 90916	CHIP,3.9kΩ ±5% 1/10W	NI05392110
RE91		4822 111 90897	CHIP,1MΩ ±5% 1/10W	NI05105110	RM12		4822 111 90916	CHIP,3.9kΩ ±5% 1/10W	NI05392110
RE92		4822 111 90897	CHIP,1MΩ ±5% 1/10W	NI05105110	RM13		4822 111 90898	CHIP,12kΩ ±5% 1/10W	NI05123110
RG01		4822 111 90919	CHIP,47kΩ ±5% 1/10W	NI05473110	RM14		4822 111 90898	CHIP,12kΩ ±5% 1/10W	NI05123110
RG02		4822 111 90919	CHIP,47kΩ ±5% 1/10W	NI05473110	RM15		4822 111 90919	CHIP,47kΩ ±5% 1/10W	NI05473110
RG03					RM16		4822 111 90919	CHIP,47kΩ ±5% 1/10W	NI05473110
}		4822 111 90895	CHIP,10kΩ ±5% 1/10W	NI05103110					
RG06									

NOTE : *nsp* PART IS LISTED FOR REFERENCE ONLY, MARANTZ WILL NOT SUPPLY THESE PARTS.

SJR9200

POS. NO	VERS. COLOR	PART NO. (FOR PCS)	DESCRIPTION	PART NO. (MUJ)	POS. NO	VERS. COLOR	PART NO. (FOR PCS)	DESCRIPTION	PART NO. (MUJ)
RM17		4822 111 90905	CHIP,220Ω ±5% 1/10W	NI05221110	QM05		4822 130 43818	TRS.2SC2878 A OR BRANK	HT328782A0
RM20					QM08				
RM21		4822 111 90918	CHIP,4.7kΩ ±5% 1/10W	NI05472110	QM30	4822 209 73064	IC,NJM-2068-DD	HC10053090	
RM24					QM31	4822 130 43818	TRS.2SC2878 A OR BRANK	HT328782A0	
RM25		2322 734 63309	CHIP,33Ω ±5% 1/10W	NI05330110	QM32	4822 130 43818	TRS.2SC2878 A OR BRANK	HT328782A0	
RM26		2322 734 63309	CHIP,33Ω ±5% 1/10W	NI05330110	QM60	4822 130 60588	DIG.TRS.DTC114ES/UN4211 10K,10K	BA20001000	
RM31		4822 111 90919	CHIP,47kΩ ±5% 1/10W	NI05473110	QM61	4822 130 42949	TRS.2SA970 (GR) OR (BL)	HT109702A0	
RM32		4822 111 90919	CHIP,47kΩ ±5% 1/10W	NI05473110					
RM33		4822 111 90916	CHIP,3.9kΩ ±5% 1/10W	NI05392110					
RM34		4822 111 90916	CHIP,3.9kΩ ±5% 1/10W	NI05392110					
RM35		4822 111 90898	CHIP,12kΩ ±5% 1/10W	NI05123110	JE01	4822 267 20445	TERMINAL,14X14 RA 2L6P BLK AU F-SHIELD	YT02060690	
RM36		4822 116 90898	CHIP,12kΩ ±5% 1/10W	NI05123110	JE02	9965 000 12752	TERMINAL,YKC21-3914 1L1P FS BK AU	YT02011710	
RM37		4822 111 90919	CHIP,47kΩ ±5% 1/10W	NI05473110	JE03	9965 000 12753	TERMINAL,YKC21-4086 2L4P FS BK AU	YT02041340	
RM38		4822 111 90919	CHIP,47kΩ ±5% 1/10W	NI05473110	JE04	4822 267 20445	TERMINAL,14X14 RA 2L6P BLK AU F-SHIELD	YT02060690	
RM39		4822 111 91191	CHIP,330Ω ±5% 1/10W	NI05331110	JE10	9965 000 12754	RETAINER,GND TERMINAL	320J104010	
RM40		4822 111 91191	CHIP,330Ω ±5% 1/10W	NI05331110	LE01	9965 000 01576	RELAY,MR82-24USR	LY20240480	
RM41		4822 111 90918	CHIP,4.7kΩ ±5% 1/10W	NI05472110	LE51	9965 000 01576	RELAY,MR82-24USR	LY20240480	
RM42		4822 111 90918	CHIP,4.7kΩ ±5% 1/10W	NI05472110	LG01	9965 000 01576	RELAY,MR82-24USR	LY20240480	
RM43		4822 116 90503	CHIP,150Ω ±5% 1/10W	NI05151110	LG51	9965 000 01576	RELAY,MR82-24USR	LY20240480	
RM44		4822 116 90503	CHIP,150Ω ±5% 1/10W	NI05151110	LM01	9965 000 01576	RELAY,MR82-24USR	LY20240480	
RM60		4822 111 90893	CHIP,100Ω ±5% 1/10W	NI05101110	LM60	9965 000 01576	RELAY,MR82-24USR	LY20240480	
RM61		4822 111 90897	CHIP,1MΩ ±5% 1/10W	NI05105110					
RM62		4822 111 90895	CHIP,10kΩ ±5% 1/10W	NI05103110					
RM64		4822 111 90895	CHIP,10kΩ ±5% 1/10W	NI05103110					
RM65		4822 111 90895	CHIP,10kΩ ±5% 1/10W	NI05103110					
RM66		4822 052 10681	680Ω ±5% 1/6W	GG05681160					
			PG04- SEMICONDUCTORS		CF01	4822 124 22571	ELECT.10μF ±20% 50V RA-2	OA10605020	
DE40		4822 130 33944	CHIP DIODE,DAN202K	HZ20002210	CF02	4822 124 22571	ELECT.10μF ±20% 50V RA-2	OA10605020	
DM60		4822 130 33944	CHIP DIODE,DAN202K	HZ20002210	CF03	4822 124 22571	ELECT.10μF ±20% 50V RA-2	OA10605020	
QE01		4822 209 73064	IC,NJM-2068-DD	HC10053090	CF04	4822 122 40617	CER.50V DC 0.1μF +80-20%	DD38104010	
QE02		9965 000 01359	IC,TC9459N ELE.VOLUME	HC10443050	CF05	4822 124 22571	ELECT.10μF ±20% 50V RA-2	OA10605020	
QE03		4822 209 73064	IC,NJM-2068-DD	HC10053090	CF06	4822 124 22571	ELECT.10μF ±20% 50V RA-2	OA10605020	
QE05					CF07	4822 124 90353	ELECT.100μF ±20% 10V RA-2	OA10701020	
QE08		4822 130 43818	TRS.2SC2878 A OR BRANK	HT328782A0	CF08	4822 122 40617	CER.50V DC 0.1μF +80-20%	DD38104010	
QE40		4822 130 60588	DIG.TRS.DTC114ES/UN4211 10K,10K	BA20001000	CF09				
QE41		4822 130 60693	TRS.2SA817 O OR Y 600MW -300MA	HT108172B0		4822 124 22571	ELECT.10μF ±20% 50V RA-2	OA10605020	
QE51		4822 209 73064	IC,NJM-2068-DD	HC10053090	CF13				
QE52		9965 000 01359	IC,TC9459N ELE.VOLUME	HC10443050	CF14	4822 122 31205	CER.47pF ±5% CH 50V BLK	DD15470300	
QE53		4822 209 73064	IC,NJM-2068-DD	HC10053090	CF15	4822 122 31205	CER.47pF ±5% CH 50V BLK	DD15470300	
QE55					CF16	4822 124 90353	ELECT.100μF ±20% 10V RA-2	OA10701020	
QE58		4822 130 43818	TRS.2SC2878 A OR BRANK	HT328782A0	CF17	4822 122 40617	CER.50V DC 0.1μF +80-20%	DD38104010	
QG01		4822 209 73064	IC,NJM-2068-DD	HC10053090	CF19	4822 122 31205	CER.47pF ±5% CH 50V BLK	DD15470300	
QG02		9965 000 01359	IC,TC9459N ELE.VOLUME	HC10443050	CF20	4822 124 22571	ELECT.10μF ±20% 50V RA-2	OA10605020	
QG03		4822 209 73064	IC,NJM-2068-DD	HC10053090	CF21	4822 124 22571	ELECT.10μF ±20% 50V RA-2	OA10605020	
QG05					CF22	4822 122 40617	CER.50V DC 0.1μF +80-20%	DD38104010	
QG08		4822 130 43818	TRS.2SC2878 A OR BRANK	HT328782A0	CF23	4822 124 90354	ELECT.100μF ±20% 16V RA-2	OA10701620	
QG51		4822 209 73064	IC,NJM-2068-DD	HC10053090	CF24	4822 124 41543	ELECT.1μF ±20% 50V RA-2	OA10505020	
QG52		9965 000 01359	IC,TC9459N ELE.VOLUME	HC10443050	CF26	4822 122 40617	CER.50V DC 0.1μF +80-20%	DD38104010	
QG53		4822 209 73064	IC,NJM-2068-DD	HC10053090	CF27	4822 122 31205	CER.47pF ±5% CH 50V BLK	DD15470300	
QG55					CF28	9965 000 01040	ELECT.470μF ±20% 6.3V RA-2	OA47700620	
QG58		4822 130 43818	TRS.2SC2878 A OR BRANK	HT328782A0	CF31	4822 122 40617	CER.50V DC 0.1μF +80-20%	DD38104010	
QM01		4822 209 73064	IC,NJM-2068-DD	HC10053090	CF33	4822 122 40617	CER.50V DC 0.1μF +80-20%	DD38104010	
QM02		9965 000 01359	IC,TC9459N ELE.VOLUME	HC10443050	CL01	9965 000 01040	ELECT.470μF ±20% 6.3V RA-2	OA47700620	
QM03		4822 209 73064	IC,NJM-2068-DD	HC10053090	CL02	9965 000 01040	ELECT.470μF ±20% 6.3V RA-2	OA47700620	
					CL09				
						4822 122 31205	CER.47pF ±5% CH 50V BLK	DD15470300	
					CL12				
					CL13	4822 124 22571	ELECT.10μF ±20% 50V RA-2	OA10605020	
					CL14	4822 124 22571	ELECT.10μF ±20% 50V RA-2	OA10605020	
					CL15	4822 122 40617	CER.50V DC 0.1μF +80-20%	DD38104010	

NOTE : *nsp* PART IS LISTED FOR REFERENCE ONLY, MARANTZ WILL NOT SUPPLY THESE PARTS.

SR9200

POS. NO	VERS. COLOR	PART NO. (FOR PCS)	DESCRIPTION	PART NO. (MUJ)	POS. NO	VERS. COLOR	PART NO. (FOR PCS)	DESCRIPTION	PART NO. (MUJ)
CL16		4822 124 22571	ELECT.10µF ±20% 50V RA-2	OA10605020	RF01		4822 116 81011	CHIP,75Ω ±5% 1/10W	NI05750110
CL20					RF02		4822 111 90894	CHIP,1kΩ ±5% 1/10W	NI05102110
CL21		9965 000 01040	ELECT.470µF ±20% 6.3V RA-2	OA47700620	RF03		4822 111 90894	CHIP,75Ω ±5% 1/10W	NI05102110
CL22		4822 124 22571	ELECT.10µF ±20% 50V RA-2	OA10605020	RF04		4822 111 90895	CHIP,10kΩ ±5% 1/10W	NI05103110
CL23		9965 000 01040	ELECT.470µF ±20% 6.3V RA-2	OA47700620	RF05		4822 116 81011	CHIP,75Ω ±5% 1/10W	NI05750110
CL24		4822 124 90353	ELECT.100µF ±20% 10V RA-2	OA10701020	RF06		4822 111 90897	CHIP,1MΩ ±5% 1/10W	NI05105110
CL25		4822 122 40617	CER.50V DC 0.1µF +80-20%	DD38104010	RF07		4822 111 90897	CHIP,1MΩ ±5% 1/10W	NI05105110
CL26		4822 124 90353	ELECT.100µF ±20% 10V RA-2	OA10701020	RF08		4822 111 90892	CHIP,0Ω ±5% 1/10W	NI05000110
CL27		4822 122 40617	CER.50V DC 0.1µF +80-20%	DD38104010	RF09				
CL28		4822 124 22571	ELECT.10µF ±20% 50V RA-2	OA10605020	RF16		4822 111 90894	CHIP,1kΩ ±5% 1/10W	NI05102110
CL29		4822 124 22571	ELECT.10µF ±20% 50V RA-2	OA10605020	RL01		4822 116 81011	CHIP,75Ω ±5% 1/10W	NI05750110
CL32		4822 124 22571	ELECT.10µF ±20% 50V RA-2	OA10605020	RL02		4822 116 81011	CHIP,75Ω ±5% 1/10W	NI05750110
CL34		4822 124 22571	ELECT.10µF ±20% 50V RA-2	OA10605020	RL03		4822 116 81011	CHIP,75Ω ±5% 1/10W	NI05750110
CL35		4822 122 40617	CER.50V DC 0.1µF +80-20%	DD38104010	RL04		4822 111 90892	CHIP,0Ω ±5% 1/10W	NI05000110
CL36		4822 124 22571	ELECT.10µF ±20% 50V RA-2	OA10605020	RL05		4822 116 81011	CHIP,75Ω ±5% 1/10W	NI05750110
CL37		4822 124 90357	ELECT.2.2µF ±20% 50V RA-2	OA22505020	RL06		4822 111 90892	CHIP,0Ω ±5% 1/10W	NI05000110
CL38		4822 124 22571	ELECT.10µF ±20% 50V RA-2	OA10605020	RL07		4822 116 81011	CHIP,75Ω ±5% 1/10W	NI05750110
CL39		4822 126 11591	CER.24pF ±5% CH 50V BLK	DD15240300	RL08		4822 111 90892	CHIP,0Ω ±5% 1/10W	NI05000110
CL40		5322 122 32143	CER.22pF ±5% CH 50V BLK	DD15220300	RL09		4822 116 81011	CHIP,75Ω ±5% 1/10W	NI05750110
CL42		4822 122 40617	CER.50V DC 0.1µF +80-20%	DD38104010	RL10		4822 111 90892	CHIP,0Ω ±5% 1/10W	NI05000110
CL44		4822 124 41543	ELECT.1µF ±20% 50V RA-2	OA10505020	RL11		4822 116 81011	CHIP,75Ω ±5% 1/10W	NI05750110
CL45		4822 124 41543	ELECT.1µF ±20% 50V RA-2	OA10505020	RL12		4822 111 90892	CHIP,0Ω ±5% 1/10W	NI05000110
CL46		4822 122 40617	CER.50V DC 0.1µF +80-20%	DD38104010	RL13		4822 116 81011	CHIP,75Ω ±5% 1/10W	NI05750110
CL47		4822 124 22571	ELECT.10µF ±20% 50V RA-2	OA10605020	RL14		4822 111 90892	CHIP,0Ω ±5% 1/10W	NI05000110
CL48	N/S	4822 122 31823	CER.15pF ±5% CH 50V BLK	DD15150300	RL15		4822 116 81011	CHIP,75Ω ±5% 1/10W	NI05750110
CL48	/U		CER.22pF ±5% CH 50V BLK	DD15220300	RL16		4822 116 81011	CHIP,75Ω ±5% 1/10W	NI05750110
CL49	N/S	4822 122 31823	CER.15pF ±5% CH 50V BLK	DD15150300	RL18		4822 111 90895	CHIP,10kΩ ±5% 1/10W	NI05103110
CL49	/U		CER.22pF ±5% CH 50V BLK	DD15220300	RL19		4822 111 90895	CHIP,10kΩ ±5% 1/10W	NI05103110
CL50		4822 122 31205	CER.47pF ±5% CH 50V BLK	DD15470300	RL20		4822 111 90895	CHIP,10kΩ ±5% 1/10W	NI05103110
CL51		4822 124 22571	ELECT.10µF ±20% 50V RA-2	OA10605020	RL21		4822 111 90894	CHIP,1kΩ ±5% 1/10W	NI05102110
CL52		4822 124 22571	ELECT.10µF ±20% 50V RA-2	OA10605020	RL22		4822 111 90894	CHIP,1kΩ ±5% 1/10W	NI05102110
CL53		4822 124 90353	ELECT.100µF ±20% 10V RA-2	OA10701020	RL23		4822 111 90894	CHIP,1kΩ ±5% 1/10W	NI05102110
CL54		4822 122 40617	CER.50V DC 0.1µF +80-20%	DD38104010	RL24		4822 111 91192	CHIP,470Ω ±5% 1/10W	NI05471110
CL55		4822 124 41543	ELECT.1µF ±20% 50V RA-2	OA10505020	RL25		4822 111 90895	CHIP,10kΩ ±5% 1/10W	NI05103110
CL57		4822 122 40617	CER.50V DC 0.1µF +80-20%	DD38104010	RL26		4822 111 90896	CHIP,100kΩ ±5% 1/10W	NI05104110
CL58		4822 124 90354	ELECT.100µF ±20% 16V RA-2	OA10701620	RL27		4822 111 90895	CHIP,10kΩ ±5% 1/10W	NI05103110
CL59		4822 122 31205	CER.47pF ±5% CH 50V BLK	DD15470300	RL28		4822 111 90898	CHIP,12kΩ ±5% 1/10W	NI05123110
CL60		4822 124 90353	ELECT.100µF ±20% 10V RA-2	OA10701020	RL29		4822 111 90905	CHIP,220Ω ±5% 1/10W	NI05221110
CL63		4822 122 40617	CER.50V DC 0.1µF +80-20%	DD38104010	RL30				
CL64		9965 000 01569	CER.0.01µF DC50V +80%-20%	DD38103010	RL31	/U	4822 111 90897	CHIP,0Ω ±5% 1/10W	NI05000110
CL65		4822 124 22571	ELECT.10µF ±20% 50V RA-2	OA10605020	RL32		4822 111 90892	CHIP,1MΩ ±5% 1/10W	NI05105110
CL66		9965 000 01569	CER.0.01µF DC50V +80%-20%	DD38103010	RL33		4822 111 90905	CHIP,220Ω ±5% 1/10W	NI05221110
CL67		9965 000 01569	CER.0.01µF DC50V +80%-20%	DD38103010	RL35		4822 111 90895	CHIP,10kΩ ±5% 1/10W	NI05103110
CL68		4822 124 22571	ELECT.10µF ±20% 50V RA-2	OA10605020	RL36		4822 050 22201	220Ω ±5% 1/2W	GG05221120
CL69		9965 000 01569	CER.0.01µF DC50V +80%-20%	DD38103010	RL37		4822 111 90918	CHIP,4.7kΩ ±5% 1/10W	NI05472110
CL70		9965 000 01569	CER.0.01µF DC50V +80%-20%	DD38103010	RL38		4822 111 90895	CHIP,10kΩ ±5% 1/10W	NI05103110
CL71		4822 124 22571	ELECT.10µF ±20% 50V RA-2	OA10605020	RL39		4822 111 90894	CHIP,1kΩ ±5% 1/10W	NI05102110
CL72		9965 000 01569	CER.0.01µF DC50V +80%-20%	DD38103010	RL40		4822 111 91077	CHIP,56Ω ±5% 1/10W	NI05560110
CL73		4822 122 30103	CER.0.022µF Z 50V	DK18223310	RL41		4822 111 90894	CHIP,1kΩ ±5% 1/10W	NI05102110
CL78		4822 122 40617	CER.50V DC 0.1µF +80-20%	DD38104010	RL42		4822 111 90895	CHIP,10kΩ ±5% 1/10W	NI05103110
CL79		4822 124 22571	ELECT.10µF ±20% 50V RA-2	OA10605020	RL43		4822 111 90894	CHIP,1kΩ ±5% 1/10W	NI05102110
CL80		4822 124 22571	ELECT.10µF ±20% 50V RA-2	OA10605020	RL44		4822 111 90893	CHIP,100Ω ±5% 1/10W	NI05101110
CL81		4822 124 22571	ELECT.10µF ±20% 50V RA-2	OA10605020	RL45		4822 111 90893	CHIP,100Ω ±5% 1/10W	NI05101110
CL82		4822 122 31205	CER.47pF ±5% CH 50V BLK	DD15470300	RL57		4822 111 90895	CHIP,10kΩ ±5% 1/10W	NI05103110
CL85		4822 122 31205	CER.47pF ±5% CH 50V BLK	DD15470300	RL58				
CL87		4822 124 90353	ELECT.100µF ±20% 10V RA-2	OA10701020	RL61		4822 111 90892	CHIP,0Ω ±5% 1/10W	NI05000110
			PL04-CAPACITORS(COMMON)		RL62		4822 116 81011	CHIP,75Ω ±5% 1/10W	NI05750110
			HIGH DIELECTRIC CONSTANT		RL63		4822 111 90897	CHIP,1MΩ ±5% 1/10W	NI05105110
			CER.CAPACITOR ±10% 50V :		RL64		4822 111 90897	CHIP,1MΩ ±5% 1/10W	NI05105110
			CF25 CL43 CL62 CL83 CL86		RL69		4822 116 81011	CHIP,75Ω ±5% 1/10W	NI05750110

NOTE : *nsp* PART IS LISTED FOR REFERENCE ONLY, MARANTZ WILL NOT SUPPLY THESE PARTS.

SR9200

POS. NO	VERS. COLOR	PART NO. (FOR PCS)	DESCRIPTION	PART NO. (MJJ)	POS. NO	VERS. COLOR	PART NO. (FOR PCS)	DESCRIPTION	PART NO. (MJJ)
RL70		4822 111 90892	CHIP,0Ω ±5% 1/10W	NI05000110				PN14- RN47 CIRCUIT BOARD PN14- RESISTORS VARISTOR,FOR HEAT SENS. 100C BD	HP00029230
RL71	/S/U		CHIP,22kΩ ±5% 1/10W	NI05223110					
RL72		4822 111 90894	CHIP,1kΩ ±5% 1/10W	NI05102110	RN47	4822 126 90009			
RL84									
RL85		4822 111 90892	CHIP,0Ω ±5% 1/10W	NI05000110					
			PL04- SEMICONDUCTORS					PN24- RN62 CIRCUIT BOARD PN24- RESISTORS VARISTOR,FOR FAN SENS. 80C BF	HP00042230
DL01		4822 130 33944	CHIP DIODE,DAN202K	HZ20002210					
DL05	/S/U		CHIP DIODE,DAP202K	HZ200001210	RN62	9965 000 12666			
QF01		9965 000 12718	IC,NJM2534M TAPING TE1	HC10223090					
QF02		9965 000 03394	IC,NJM2296M TAPING	HC10210090					
QF03		5322 209 13551	IC,NJM2535M TAPING TE1	HC10224090			PN54- RN49 CIRCUIT BOARD PN54- RESISTORS VARISTOR,FOR HEAT SENS. 100C BD	HP00029230	
QF04		5322 209 11532	IC,74HC4094 16PIN DIP	HC709449B0					
QL01		9965 000 12718	IC,NJM2534M TAPING TE1	HC10223090	RN49	4822 126 90009			
QL02		9965 000 03394	IC,NJM2296M TAPING	HC10210090					
QL03		5322 209 13551	IC,NJM2535M TAPING TE1	HC10224090					
QL04		4822 209 15524	IC,OSD LC74781	HC10377030			PN64- RN86 CIRCUIT BOARD PN64- RESISTORS VARISTOR,FOR FAN SENS. 80C BF	HP00042230	
QL05		5322 209 13551	IC,NJM2535M TAPING TE1	HC10224090					
QL06		9965 000 12719	IC,BA7622F TAPING-E2	HC10221210					
QL07		5322 209 11532	IC,74HC4094 16PIN DIP	HC709449B0	RN86	9965 000 12666			
QL08		4822 130 41947	TRS.C2458,C1740S,C3199,ETC	HT30001000					
QL09		4822 130 42715	TRS.A1048,A933S,A1267,ETC.	HT10001000			PP04- AUX CIRCUIT BOARD PP04- CAPACITORS CER.50V DC 0.1μF +80-20% CER.50V DC 0.1μF +80-20%	DD38104010	
QL10		4822 130 41947	TRS.C2458,C1740S,C3199,ETC	HT30001000	CP03	4822 122 40617			
QL11		4822 130 61227	DIG.TRS.DTA114ES/UN4111 10K,10K	BA10001000	CP04	4822 122 40617			
QL12		4822 130 41947	TRS.C2458,C1740S,C3199,ETC	HT30001000	CP05				
QL13		4822 130 60588	DIG.TRS.DTC114ES/UN4211 10K,10K	BA20001000	CP08	4822 124 22571			
QL14		4822 130 41947	TRS.C2458,C1740S,C3199,ETC	HT30001000	CP09	4822 122 40617	DD38104010		
QL15		4822 130 41947	TRS.C2458,C1740S,C3199,ETC	HT30001000	CP11		DD38104010	OA10605020	
QL16		4822 130 60588	DIG.TRS.DTC114ES/UN4211 10K,10K	BA20001000	CP14	4822 124 22571			
QL18	/N/S	4822 130 61189	DIG.TRS.DTC114TS/UN4215 10K	BA20004000	CP16	4822 126 11558	DA17104110		
QL19	/N/S	4822 130 61189	DIG.TRS.DTC114TS/UN4215 10K	BA20004000	CP17	4822 124 90353	OA10701020		
QL20	/N/S	4822 130 61227	DIG.TRS.DTA114ES/UN4111 10K,10K	BA10001000	CP18	4822 122 40617	DD38104010		
QL21		4822 209 30426	IC,CMOS 74HC00 FLAT TAPING	HC700000Z0			PP04-CAPACITORS(COMMON) HIGH DIELECTRIC CONSTANT CER.CAPACITOR ±10% 50V : CP01 CP02		
QL22		9965 000 12720	CHIP TRS.(2SC),2SC1622AD17	HX316221A0	C***				
			PL04- MISCELLANEOUS						
JL01		9965 000 12767	TERMINAL,YKC21-3913 1L1 FS AU	YT02011690	RP11	4822 111 41355			GD05750160
JL02		9965 000 12768	TERMINAL,YKC21-4074 2L2 FS AU	YT02021710	RP12	4822 111 41355			GD05750160
JL03		9965 000 12769	TERMINAL,YKC21-3701 1L4 FG AU	YT02041310	RP14	4822 111 41355	GD05750160		
JL04		9965 000 12769	TERMINAL,YKC21-3701 1L4 FG AU	YT02041310	R***		PP04- RESISTORS(COMMON) CARBON FILM FIXED RES. ±5% 1/6W : RP01-RP06 RP16		
LL01		4822 242 73843	EMI FILTER,DSS306-91-F-223Z	FM12223010					
LL02		4822 242 73843	EMI FILTER,DSS306-91-F-223Z	FM12223010					
LL03		4822 242 73843	EMI FILTER,DSS306-91-F-223Z	FM12223010					
LL04		9965 000 03404	CHIP INDUCTANCE, NL252018 33UH	LU15333010	QP01	4822 209 83631			HC10008090
XL01		4822 242 80288	CRYSTAL, AT49/14.31818MHZ(TP)	JX14001260			PP04- MISCELLANEOUS OPT.CONNECTOR,+JFJ400 TERMINAL,CINCH JACK 3P + /S-TERMINAL	YJ15000200	
XL02	/N/S	4822 242 73903	CRYSTAL,AT49 17.7MHZ	JX17001260	JP01	9965 000 12658			
					JP02	9965 000 01347	BY04040030		

NOTE : *nsp* PART IS LISTED FOR REFERENCE ONLY, MARANTZ WILL NOT SUPPLY THESE PARTS.

SR9200

POS. NO	VERS. COLOR	PART NO. (FOR PCS)	DESCRIPTION	PART NO. (MJJ)	POS. NO	VERS. COLOR	PART NO. (FOR PCS)	DESCRIPTION	PART NO. (MJJ)
CP93		4822 122 40617	PP94- H.P. CIRCUIT BOARD PP94- CAPACITORS CER.50V DC 0.1µF +80-20%	DD38104010				CQ41 CQ42 CQ56 CQ59 CQ60 CQ61 CQ62 CQ63	
JP99		4822 265 10685	PP94- MISCELLANEOUS JACK,HLJ2307-01-3160	YJ01004240	R***			PQ04- RESISTORS(COMMON) CARBON FILM FIXED RES. ±5% 1/6W : RQ01-RQ04 RQ09-RQ12 RQ17-RQ20 RQ25-RQ28 RQ33-RQ36 RQ41-RQ44 RQ49-RQ64	
CQ01	/N/S	9965 000 05891	PQ04- A-FUNCTION-V CIRCUIT BOARD PQ04- CAPACITORS FILM,APSV 471J, 470pF(TP) 100V PP	OF15471540	Q001		4822 209 16842	PQ04- SEMICONDUCTORS IC,NJU7312L ANALOG SW.	HC10124090
CQ01	/U		FILM,100pF ±5% 100V APSV	OF15101540	Q002		4822 209 16842	IC,NJU7312L ANALOG SW.	HC10124090
CQ02	/N/S	9965 000 05891	FILM,APSV 471J, 470pF(TP) 100V PP	OF15471540	Q003		4822 209 83274	IC,NJM4560D-D	HC10021090
CQ02	/U		FILM,100pF ±5% 100V APSV	OF15101540	JQ01		9965 000 07097	PQ04- MISCELLANEOUS TERMINAL,14X14 RA 2L6 WH+RE AU F-GROUND	YT02060670
CQ07	/N/S	9965 000 05891	FILM,APSV 471J, 470pF(TP) 100V PP	OF15471540	JQ02		9965 000 07097	TERMINAL,14X14 RA 2L6 WH+RE AU F-GROUND	YT02060670
CQ07	/U		FILM,100pF ±5% 100V APSV	OF15101540	JQ03		4822 267 31823	TERMINAL,14X14 RA 2L4 WH+RE AU F-FROUND	YT02041280
CQ08	/N/S	9965 000 05891	FILM,APSV 471J, 470pF(TP) 100V PP	OF15471540				PS04- AUDIO FUNCTION CIRCUIT BOARD PS04- CAPACITORS	
CQ08	/U		FILM,100pF ±5% 100V APSV	OF15101540	CS07	/N/S	9965 000 05891	FILM,APSV 471J, 470pF(TP) 100V PP	OF15471540
CQ13	/N/S	9965 000 05891	FILM,APSV 471J,4 70pF(TP) 100V PP	OF15471540	CS07	/U		FILM,100pF ±5% 100V APSV	OF15101540
CQ13	/U		FILM,100pF ±5% 100V APSV	OF15101540	CS08	/N/S	9965 000 05891	FILM,APSV 471J, 470pF(TP) 100V PP	OF15471540
CQ14	/N/S	9965 000 05891	FILM,APSV 471J, 470pF(TP) 100V PP	OF15471540	CS08	/U		FILM,100pF ±5% 100V APSV	OF15101540
CQ14	/U		FILM,100pF ±5% 100V APSV	OF15101540	CS13	/N/S	9965 000 05891	FILM,APSV 471J, 470pF(TP) 100V PP	OF15471540
CQ19	/N/S	9965 000 05891	FILM,APSV 471J, 470pF(TP) 100V PP	OF15471540	CS13	/U		FILM,100pF ±5% 100V APSV	OF15101540
CQ19	/U		FILM,100pF ±5% 100V APSV	OF15101540	CS14	/N/S	9965 000 05891	FILM,APSV 471J, 470pF(TP) 100V PP	OF15471540
CQ20	/N/S	9965 000 05891	FILM,APSV 471J, 470pF(TP) 100V PP	OF15471540	CS14	/U		FILM,100pF ±5% 100V APSV	OF15101540
CQ20	/U		FILM,100pF ±5% 100V APSV	OF15101540	CS19	/N/S	9965 000 05891	FILM,APSV 471J, 470pF(TP) 100V PP	OF15471540
CQ25	/N/S	9965 000 05891	FILM,APSV 471J, 470pF(TP) 100V PP	OF15471540	CS19	/U		FILM,100pF ±5% 100V APSV	OF15101540
CQ25	/U		FILM,100pF ±5% 100V APSV	OF15101540	CS20	/N/S	9965 000 05891	FILM,APSV 471J, 470pF(TP) 100V PP	OF15471540
CQ26	/N/S	9965 000 05891	FILM,APSV 471J, 470pF(TP) 100V PP	OF15471540	CS20	/U		FILM,100pF ±5% 100V APSV	OF15101540
CQ26	/U		FILM,100pF ±5% 100V APSV	OF15101540	CS27		4822 124 22571	ELECT.10µF ±20% 50V RA-2	OA10605020
CQ31	/N/S	9965 000 05891	FILM,APSV 471J, 470pF(TP) 100V PP	OF15471540	CS28		4822 124 22571	ELECT.10µF ±20% 50V RA-2	OA10605020
CQ32	/N/S	9965 000 05891	FILM,APSV 471J, 470pF(TP) 100V PP	OF15471540	CS31		4822 124 22571	ELECT.10µF ±20% 50V RA-2	OA10605020
CQ39		4822 124 22571	ELECT.10µF ±20% 50V RA-2	OA10605020	CS32		4822 124 22571	ELECT.10µF ±20% 50V RA-2	OA10605020
CQ40		4822 124 22571	ELECT.10µF ±20% 50V RA-2	OA10605020	CS35		4822 122 40617	CER.50V DC 0.1µF +80-20%	DD38104010
CQ43		4822 124 22571	ELECT.10µF ±20% 50V RA-2	OA10605020	CS36		4822 122 40617	CER.50V DC 0.1µF +80-20%	DD38104010
CQ44		4822 124 22571	ELECT.10µF ±20% 50V RA-2	OA10605020	CS37				
CQ48		4822 122 40617	CER.50V DC 0.1µF +80-20%	DD38104010	}		4822 124 22571	ELECT.10µF ±20% 50V RA-2	OA10605020
CQ49		4822 122 40617	CER.50V DC 0.1µF +80-20%	DD38104010	CS40				
CQ50					CS41				
}		4822 124 22571	ELECT.10µF ±20% 50V RA-2	OA10605020	}		4822 122 40617	CER.50V DC 0.1µF +80-20%	DD38104010
CQ53					CS45				
CQ54		4822 122 40617	CER.50V DC 0.1µF +80-20%	DD38104010	CS51		4822 124 90354	ELECT.100µF ±20% 16V RA-2	OA10701620
CQ58					CS52		4822 124 90354	ELECT.100µF ±20% 16V RA-2	OA10701620
CQ64		4822 124 90354	ELECT.100µF ±20% 16V RA-2	OA10701620	C***			PS04-CAPACITORS(COMMON) HIGH DIELECTRIC CONSTANT CER.CAPACITOR ±10% 50V : CS25 CS26 CS29 CS30 CS43 CS46-CS50	
CQ65		4822 124 90354	ELECT.100µF ±20% 16V RA-2	OA10701620					
CS80	/N/S	9965 000 05891	FILM,APSV 471J, 470pF(TP) 100V PP	OF15471540					
C***			PQ04-CAPACITORS(COMMON) HIGH DIELECTRIC CONSTANT CER.CAPACITOR ±10% 50V : CQ31[U] CQ32[U] CQ37 CQ38						

NOTE : *nsp* PART IS LISTED FOR REFERENCE ONLY, MARANTZ WILL NOT SUPPLY THESE PARTS.

SR9200

POS. NO	VERS. COLOR	PART NO. (FOR PCS)	DESCRIPTION	PART NO. (MUJ)	POS. NO	VERS. COLOR	PART NO. (FOR PCS)	DESCRIPTION	PART NO. (MUJ)
			PS04- RESISTORS						
RS09		4822 111 90893	CHIP,100Ω ±5% 1/10W	NI05101110	CQ78		4822 124 22571	ELECT.10μF ±20% 50V RA-2	OA10605020
RS10		4822 111 90893	CHIP,100Ω ±5% 1/10W	NI05101110	CQ79	/N/S	9965 000 05891	FILM,APSV 471J, 470pF(TP) 100V PP	OF15471540
RS11		4822 111 90912	CHIP,270kΩ ±5% 1/10W	NI05274110	CQ79	/U		FILM,100pF ±5% 100V APSV	OF15101540
RS12		4822 111 90912	CHIP,270kΩ ±5% 1/10W	NI05274110	CQ81		4822 124 22571	ELECT.10μF ±20% 50V RA-2	OA10605020
RS13		4822 111 90892	CHIP,0Ω ±5% 1/10W	NI05000110	CQ82		4822 124 22571	ELECT.10μF ±20% 50V RA-2	OA10605020
RS14		4822 111 90892	CHIP,0Ω ±5% 1/10W	NI05000110	CQ83		4822 122 40617	CER.50V DC 0.1μF +80-20%	DD38104010
RS17		4822 111 90893	CHIP,100Ω ±5% 1/10W	NI05101110	CQ84		4822 122 40617	CER.50V DC 0.1μF +80-20%	DD38104010
RS18		4822 111 90893	CHIP,100Ω ±5% 1/10W	NI05101110	CQ85		4822 124 22571	ELECT.10μF ±20% 50V RA-2	OA10605020
RS19		4822 111 90912	CHIP,270kΩ ±5% 1/10W	NI05274110	CQ86		4822 124 22571	ELECT.10μF ±20% 50V RA-2	OA10605020
RS20		4822 111 90912	CHIP,270kΩ ±5% 1/10W	NI05274110	CQ87		4822 122 40617	CER.50V DC 0.1μF +80-20%	DD38104010
RS21		4822 111 90892	CHIP,0Ω ±5% 1/10W	NI05000110	CS71	/N/S	9965 000 05891	FILM,APSV 471J, 470pF(TP) 100V PP	OF15471540
RS22		4822 111 90892	CHIP,0Ω ±5% 1/10W	NI05000110	CS71	/U		FILM,100pF ±5% 100V APSV	OF15101540
RS25		4822 111 90892	CHIP,100Ω ±5% 1/10W	NI05101110	CS72	/N/S	9965 000 05891	FILM,APSV 471J, 470pF(TP) 100V PP	OF15471540
RS26		4822 111 90893	CHIP,100Ω ±5% 1/10W	NI05101110	CS72	/U	9965 000 01344	FILM,100pF ±5% 100V APSV	OF15101540
RS27		4822 111 90912	CHIP,270kΩ ±5% 1/10W	NI05274110	CS73		4822 124 22571	ELECT.10μF ±20% 50V RA-2	OA10605020
RS28		4822 111 90912	CHIP,270kΩ ±5% 1/10W	NI05274110	CS74		4822 124 22571	ELECT.10μF ±20% 50V RA-2	OA10605020
RS29		4822 111 90892	CHIP,0Ω ±5% 1/10W	NI05000110	CS75		4822 122 40617	CER.50V DC 0.1μF +80-20%	DD38104010
RS30		4822 111 90892	CHIP,0Ω ±5% 1/10W	NI05000110	CS76		4822 122 40617	CER.50V DC 0.1μF +80-20%	DD38104010
RS33		4822 111 90894	CHIP,1kΩ ±5% 1/10W	NI05102110	CS77		4822 124 22571	ELECT.10μF ±20% 50V RA-2	OA10605020
RS34		4822 111 90894	CHIP,1kΩ ±5% 1/10W	NI05102110	CS78		4822 124 22571	ELECT.10μF ±20% 50V RA-2	OA10605020
RS35		4822 111 90919	CHIP,47kΩ ±5% 1/10W	NI05473110	CS79	/N/S	9965 000 05891	FILM,APSV 471J, 470pF(TP) 100V PP	OF15471540
RS36		4822 111 90919	CHIP,47kΩ ±5% 1/10W	NI05473110	CS79	/U		FILM,100pF ±5% 100V APSV	OF15101540
RS37		4822 111 90894	CHIP,1kΩ ±5% 1/10W	NI05102110	CS80	/U		FILM,100pF ±5% 100V APSV	OF15101540
RS38		4822 111 90894	CHIP,1kΩ ±5% 1/10W	NI05102110	CS81		4822 124 22571	ELECT.10μF ±20% 50V RA-2	OA10605020
RS39		4822 111 90919	CHIP,47kΩ ±5% 1/10W	NI05473110	CS82		4822 124 22571	ELECT.10μF ±20% 50V RA-2	OA10605020
RS40		4822 111 90919	CHIP,47kΩ ±5% 1/10W	NI05473110	CS83		4822 122 40617	CER.50V DC 0.1μF +80-20%	DD38104010
RS41		4822 111 90912	CHIP,270kΩ ±5% 1/10W	NI05274110	CS84		4822 122 40617	CER.50V DC 0.1μF +80-20%	DD38104010
RS42		4822 111 90912	CHIP,270kΩ ±5% 1/10W	NI05274110	CS85		4822 124 22571	ELECT.10μF ±20% 50V RA-2	OA10605020
RS43		4822 111 90919	CHIP,47kΩ ±5% 1/10W	NI05473110	CS86		4822 124 22571	ELECT.10μF ±20% 50V RA-2	OA10605020
RS44		4822 111 90919	CHIP,47kΩ ±5% 1/10W	NI05473110	CS87		4822 122 40617	CER.50V DC 0.1μF +80-20%	DD38104010
RS46		4822 111 90892	CHIP,0Ω ±5% 1/10W	NI05000110	CS88		4822 122 40617	CER.50V DC 0.1μF +80-20%	DD38104010
RS49		4822 111 90893	CHIP,100Ω ±5% 1/10W	NI05101110	CS89		4822 122 40617	CER.50V DC 0.1μF +80-20%	DD38104010
RS51		4822 111 90892	CHIP,0Ω ±5% 1/10W	NI05000110	CS95		4822 124 90354	ELECT.100μF ±20% 16V RA-2	OA10701620
RS54		4822 111 90893	CHIP,100Ω ±5% 1/10W	NI05101110	CS96		4822 124 90354	ELECT.100μF ±20% 16V RA-2	OA10701620
RS55		4822 111 90893	CHIP,100Ω ±5% 1/10W	NI05101110					
RS56		4822 111 90893	CHIP,100Ω ±5% 1/10W	NI05101110					
			PS04- SEMICONDUCTORS					PS54-CAPACITORS(COMMON)	
QS01		4822 209 16843	IC,NJU7313L ANALOG SW.	HC10125090	C***			HIGH DIELECTRIC CONSTANT CER.CAPACITOR ±10% 50V : CQ80 CS90-CS94	
QS02		4822 209 16843	IC,NJU7313L ANALOG SW.	HC10125090					
QS03		4822 209 83357	IC,NJM4560M	HC10029090					
			PS04- MISCELLANEOUS					PS54- RESISTORS(COMMON)	
JS01		4822 267 31823	TERMINAL,14X14 RA 2L4 WH+RE AU F-FROUND	YT02041280	R***			CARBON FILM FIXED RES. ±5% 1/6W : RQ71-RQ74 RQ77-RQ86 RS71-RS74 RS77-RS82 RS85-RS89	
JS02		9965 000 07097	TERMINAL,14X14 RA 2L6 WH+RE AU F-GROUND	YT02060670					
			PS54- MULTI CH INPUT CIRCUIT BOARD					PS54- SEMICONDUCTORS	
			PS54- CAPACITORS						
CQ71	/N/S	9965 000 05891	FILM,APSV 471J, 470pF(TP) 100V PP	OF15471540	Q71		4822 209 73064	IC,NJM-2068-DD	HC10053090
CQ71	/U		FILM,100pF ±5% 100V APSV	OF15101540	Q72		4822 209 73064	IC,NJM-2068-DD	HC10053090
CQ72	/N/S	9965 000 05891	FILM,APSV 471J, 470pF(TP) 100V PP	OF15471540	QS0		4822 209 16149	IC,NJU7311L ANALOG SW.	HC10123090
CQ72	/U		FILM,100pF ±5% 100V APSV	OF15101540	Q71		4822 209 73064	IC,NJM-2068-DD	HC10053090
CQ73		4822 124 22571	ELECT.10μF ±20% 50V RA-2	OA10605020	Q72		4822 209 73064	IC,NJM-2068-DD	HC10053090
CQ74		4822 124 22571	ELECT.10μF ±20% 50V RA-2	OA10605020	JS70		9965 000 12766	TERMINAL,YKC21-3601 2L4P FG BK AU	YT02041330
CQ75		4822 122 40617	CER.50V DC 0.1μF +80-20%	DD38104010	JS71		9965 000 12766	TERMINAL,YKC21-3601 2L4P FG BK AU	YT02041330
CQ76		4822 122 40617	CER.50V DC 0.1μF +80-20%	DD38104010					
CQ77		4822 124 22571	ELECT.10μF ±20% 50V RA-2	OA10605020					

NOTE : *nsp* PART IS LISTED FOR REFERENCE ONLY, MARANTZ WILL NOT SUPPLY THESE PARTS.

SR9200

POS. NO	VERS. COLOR	PART NO. (FOR PCS)	DESCRIPTION	PART NO. (MJI)	POS. NO	VERS. COLOR	PART NO. (FOR PCS)	DESCRIPTION	PART NO. (MJI)
			PX04- S-VIDEO CIRCUIT BOARD PX04- CAPACITORS						
CX05					RX29		4822 111 41355	75Ω ±5% 1/6W	GD05750160
}					RX37				
CX08		4822 122 31205	CER.47pF ±5% CH 50V BLK	DD15470300	}		4822 111 41355	75Ω ±5% 1/6W	GD05750160
CX09		9965 000 01040	ELECT.470μF ±20% 6.3V RA-2	OA47700620	RX40				
CX10		4822 124 90358	ELECT.22μF ±20% 16V RA-2	OA22601620					
CX11		9965 000 01040	ELECT.470μF ±20% 6.3V RA-2	OA47700620	R***				
CX12		4822 124 90358	ELECT.22μF ±20% 16V RA-2	OA22601620				PX04- RESISTORS(COMMON)	
CX25								CARBON FILM FIXED RES.	
}								±5% 1/6W : RX28 RX30-RX34	
CX34		4822 124 22571	ELECT.10μF ±20% 50V RA-2	OA10605020				RX36	
CX35		9965 000 01040	ELECT.470μF ±20% 6.3V RA-2	OA47700620				PX04- SEMICONDUCTORS	
CX36		4822 124 90358	ELECT.22μF ±20% 16V RA-2	OA22601620	QX01		4822 209 32861	IC,NJM2234D DIP TYPE	HC10143090
CX37		4822 124 22571	ELECT.10μF ±20% 50V RA-2	OA10605020	QX02		9965 000 09133	IC,VIDEO SW NJM2296D	HC10217090
CX38		4822 124 22571	ELECT.10μF ±20% 50V RA-2	OA10605020				5IN 3OUT	
CX39		9965 000 01040	ELECT.470μF ±20% 6.3V RA-2	OA47700620	QX03		4822 209 32861	IC,NJM2234D DIP TYPE	HC10143090
CX40		4822 124 90358	ELECT.22μF ±20% 16V RA-2	OA22601620	QX04		9965 000 09133	IC,VIDEO SW NJM2296D	HC10217090
CX41		4822 122 30043	CER.0.01μF Z 50V	DK18103310				5IN 3OUT	
CX42		4822 124 22571	ELECT.10μF ±20% 50V RA-2	OA10605020	QX05		9965 000 12724	IC,NJM2249D	HC10221090
CX44		4822 124 22571	ELECT.10μF ±20% 50V RA-2	OA10605020	QX06		9965 000 12725	IC,NJM2235D	HC10222090
CX45		4822 124 90353	ELECT.100μF ±20% 10V RA-2	OA10701020	QX07		9965 000 12726	IC,BA7622 DIP	HC10220210
CX46		4822 122 40617	CER.50V DC 0.1μF +80-20%	DD38104010				PX04- MISCELLANEOUS	
CX48		4822 124 90353	ELECT.100μF ±20% 10V RA-2	OA10701020	JX01		9965 000 01376	TERMINAL,2P S-VIDEO JACK	YT02021520
CX49		4822 122 40617	CER.50V DC 0.1μF +80-20%	DD38104010	JX02		9965 000 01376	TERMINAL,2P S-VIDEO JACK	YT02021520
CX51		4822 122 31205	CER.47pF ±5% CH 50V BLK	DD15470300	JX03		9965 000 01375	TERMINAL,3P S-VIDEO JACK	YT02030550
CX53		4822 124 22571	ELECT.10μF ±20% 50V RA-2	OA10605020	JX04		9965 000 01375	TERMINAL,3P S-VIDEO JACK	YT02030550
CX54		4822 124 22571	ELECT.10μF ±20% 50V RA-2	OA10605020				GOLD	
CX55		4822 122 30043	CER.0.01μF Z 50V	DK18103310	LX01		4822 242 73843	EMI FILTER,DSS306-91-F-223Z	FM12223010
CX56		4822 124 22571	ELECT.10μF ±20% 50V RA-2	OA10605020	LX02		4822 242 73843	EMI FILTER,DSS306-91-F-223Z	FM12223010
CX57		4822 122 30043	CER.0.01μF Z 50V	DK18103310				PY04- CONNECTOR	
CX58		4822 124 22571	ELECT.10μF ±20% 50V RA-2	OA10605020				CIRCUIT BOARD	
CX61		4822 122 30043	CER.0.01μF Z 50V	DK18103310				PY04- CAPACITORS	
CX62		4822 124 22571	ELECT.10μF ±20% 50V RA-2	OA10605020	C851		4822 122 30043	CER.0.01μF Z 50V	DK18103310
CX64		4822 124 22571	ELECT.10μF ±20% 50V RA-2	OA10605020	C852		4822 122 30043	CER.0.01μF Z 50V	DK18103310
CX65		4822 124 90353	ELECT.100μF ±20% 10V RA-2	OA10701020	C853		4822 124 22695	ELECT.2200μF ±20% 35V RA-2	OA22803520
CX66		4822 122 40617	CER.50V DC 0.1μF +80-20%	DD38104010	C854		4822 124 22695	ELECT.2200μF ±20% 35V RA-2	OA22803520
CX68		4822 124 90353	ELECT.100μF ±20% 10V RA-2	OA10701020	C855				
CX69		4822 122 30043	CER.0.01μF Z 50V	DK18103310	}		4822 122 30043	CER.0.01μF Z 50V	DK18103310
CX71		4822 122 31205	CER.47pF ±5% CH 50V BLK	DD15470300	C858				
CX72		4822 124 22571	ELECT.10μF ±20% 50V RA-2	OA10605020	C859		4822 124 90354	ELECT.100μF ±20% 16V RA-2	OA10701620
CX73		4822 122 30043	CER.0.01μF Z 50V	DK18103310	C860		4822 124 90354	ELECT.100μF ±20% 16V RA-2	OA10701620
CX74		4822 124 22571	ELECT.10μF ±20% 50V RA-2	OA10605020	C861		4822 122 30043	CER.0.01μF Z 50V	DK18103310
CX75		4822 124 22571	ELECT.10μF ±20% 50V RA-2	OA10605020	C862		4822 122 30043	CER.0.01μF Z 50V	DK18103310
CX79		4822 124 90354	ELECT.100μF ±20% 16V RA-2	OA10701620	C863			ELECT,2200μF 10V	EA22901010
CX80		4822 124 41543	ELECT.1μF ±20% 50V RA-2	OA10505020	C864		4822 124 22695	ELECT.2200μF ±20% 35V RA-2	OA22803520
CX81		4822 124 22571	ELECT.10μF ±20% 50V RA-2	OA10605020	C865				
CX82		4822 122 40588	CER.0.022μF TP050F223Z	DA17223110	}		4822 122 30043	CER.0.01μF Z 50V	DK18103310
CX83		4822 124 90354	ELECT.100μF ±20% 16V RA-2	OA10701620	C868				
CX84		4822 122 30043	CER.0.01μF Z 50V	DK18103310	C869		4822 124 90354	ELECT.100μF ±20% 16V RA-2	OA10701620
CX85		4822 124 22571	ELECT.10μF ±20% 50V RA-2	OA10605020	C870		4822 124 90354	ELECT.100μF ±20% 16V RA-2	OA10701620
CX86		4822 122 30043	CER.0.01μF Z 50V	DK18103310	C871		4822 122 30043	CER.0.01μF Z 50V	DK18103310
CX87		4822 122 30043	CER.0.01μF Z 50V	DK18103310	C872		4822 122 30043	CER.0.01μF Z 50V	DK18103310
CX88		4822 124 22571	ELECT.10μF ±20% 50V RA-2	OA10605020	C873		4822 124 90354	ELECT.100μF ±20% 16V RA-2	OA10701620
CX89		4822 122 30043	CER.0.01μF Z 50V	DK18103310	C874		4822 124 90353	ELECT.100μF ±20% 10V RA-2	OA10701020
CX91		4822 126 12696	CER.20pF ±5% CH 50V BLK	DD15200300	C875		4822 124 90354	ELECT.100μF ±20% 16V RA-2	OA10701620
CX92		4822 126 12696	CER.20pF ±5% CH 50V BLK	DD15200300	C876		4822 122 30043	CER.0.01μF Z 50V	DK18103310
CX93		4822 122 31205	CER.47pF ±5% CH 50V BLK	DD15470300	C877		4822 122 30043	CER.0.01μF Z 50V	DK18103310
			PX04- RESISTORS		C878		4822 124 90354	ELECT.100μF ±20% 16V RA-2	OA10701620
RX01					C879		4822 124 90354	ELECT.100μF ±20% 16V RA-2	OA10701620
}					C901	/N	5322 124 21731	ELECT.10μF ±20% 50V RA-2	OA10605020
RX20		4822 111 41355	75Ω ±5% 1/6W	GD05750160	C901	/S		ELECT.10μF ±20% 50V RA-2	OA10605020

NOTE : *nsp* PART IS LISTED FOR REFERENCE ONLY, MARANTZ WILL NOT SUPPLY THESE PARTS.

SR9200

POS. NO	VERS. COLOR	PART NO. (FOR PCS)	DESCRIPTION	PART NO. (MUJ)	POS. NO	VERS. COLOR	PART NO. (FOR PCS)	DESCRIPTION	PART NO. (MUJ)
C902	/N/S	4822 122 30043	CER.0.01µF Z 50V	DK18103310				±5% 1/6W : R901-R904[/N/S] R951-R958[/N/S] R959-R962 RM81 RM83-RM85 RT01 RT02 RW01-RW04 RW31-RW34	
C903	/N	5322 124 21731	ELECT.10µF ±20% 50V RA-2	OA10605020					
C903	/S		ELECT.10µF ±20% 50V RA-2	OA10605020					
C907									
∫	/N/S	4822 126 10364	CER.100pF UP050B101K-A	DA16101110					
C910									
C912	/N	5322 124 21731	ELECT.10µF ±20% 50V RA-2	OA10605020	▲ D851				
C912	/S		ELECT.10µF ±20% 50V RA-2	OA10605020	▲ ∫	4822 130 82421	DIODE,1D3 1A/200V		HD20002710
C913	/N/S	4822 122 40586	CER.10000pF	DA17103110	▲ D858				
C914	/N/S	5322 122 32143	CER.22pF ±5% CH 50V BLK	DD15220300	D859	4822 130 81247	DIODE,1GWJ43		HD20031050
C915	/N/S	4822 122 30045	CER.27pF ±5% CH 50V BLK	DD15270300	D860	4822 130 82421	DIODE,1D3 1A/200V	HD20002710	
C951	/N	4822 124 80067	ELECT.4.7µF ±20% 50V RA-2	OA47505020	▲ D861	4822 130 33057	DIODE,S2VB20	HE20011290	
C951	/S		ELECT.4.7µF ±20% 50V RA-2	OA47505020	D862	4822 130 82421	DIODE,1D3 1A/200V	HD20002710	
C952	/N	4822 124 80067	ELECT.4.7µF ±20% 50V RA-2	OA47505020	D863	4822 130 82421	DIODE,1D3 1A/200V	HD20002710	
C952	/S		ELECT.4.7µF ±20% 50V RA-2	OA47505020	D864	4822 130 82421	DIODE,1D3 1A/200V	HD20002710	
C955	/N	4822 124 80067	ELECT.4.7µF ±20% 50V RA-2	OA47505020	▲ D865	4822 130 81157	ZENER,MTZJ3.0B	HD30301000	
C955	/S		ELECT.4.7µF ±20% 50V RA-2	OA47505020	D866	4822 130 82421	DIODE,1D3 1A/200V	HD20002710	
C956	/N	4822 124 80067	ELECT.4.7µF ±20% 50V RA-2	OA47505020	D867	4822 130 82421	DIODE,1D3 1A/200V	HD20002710	
C956	/S		ELECT.4.7µF ±20% 50V RA-2	OA47505020	D868	4822 130 82421	DIODE,1D3 1A/200V	HD20002710	
C957	/N	4822 124 80067	ELECT.4.7µF ±20% 50V RA-2	OA47505020	DM81				
C957	/S/U		ELECT.4.7µF ±20% 50V RA-2	OA47505020	∫	4822 130 32362	DIODE,1SS176,MA165,1SS254 30V 0.1A	HD20002000	
C958	/N	4822 124 80067	ELECT.4.7µF ±20% 50V RA-2	OA47505020	DM93				
C958	/S/U		ELECT.4.7µF ±20% 50V RA-2	OA47505020	DT01				
C959	/N/S	4822 122 30043	CER.0.01µF Z 50V	DK18103310	▲ Q851	4822 130 82421	DIODE,1D3 1A/200V	HD20002710	
C960	/N/S	4822 122 30043	CER.0.01µF Z 50V	DK18103310	▲ Q852	4822 209 83317	IC,NJM7815FA +15V 1A	HC38915090	
CM81					▲ Q853	4822 209 31864	IC,NJM7915FA	HC39915090	
∫		4822 122 40617	CER.50V DC 0.1µF +80-20%	DD38104010	▲ Q854	4822 209 31631	IC,NJM7805FA +5V	HC38905090	
CM85					▲ Q855	4822 209 63179	IC,NJM7905FA	HC39905090	
CT01		4822 126 10364	CER.100pF UP050B101K-A	DA16101110	▲ Q856	4822 209 31631	IC,NJM7805FA +5V	HC38905090	
CT04		4822 126 10364	CER.100pF UP050B101K-A	DA16101110	▲ Q857	3141 018 50260	IC,BA033T +3.3V 1A TYPE	HC36J33210	
CT05		4822 126 10364	CER.100pF UP050B101K-A	DA16101110	▲ Q858	4822 130 63635	TRS.2SC4793 O,Y	HT347932A0	
CT06		4822 126 10364	CER.100pF UP050B101K-A	DA16101110	▲ Q859	4822 130 63635	TRS.2SC4793 O,Y	HT347932A0	
CT07		4822 122 30043	CER.0.01µF Z 50V	DK18103310	Q901	/N/S	9965 000 06293	IC,LC72722 RDS DECODER	HC10404030
CT08		4822 122 30043	CER.0.01µF Z 50V	DK18103310	Q902	/N/S	4822 130 41947	TRS.C2458,C1740S,C3199,ETC	HT30001000
CT09		4822 124 90354	ELECT.100µF ±20% 16V RA-2	OA10701620	Q903	/N/S	4822 130 60588	DIG.TRS.DTC114ES/UN4211 10K,10K	BA20001000
CW01		4822 124 22571	ELECT.10µF ±20% 50V RA-2	OA10605020	Q904	/N/S	4822 130 61227	DIG.TRS.DTA114ES/UN4111 10K,10K	BA10001000
CW02		4822 124 22571	ELECT.10µF ±20% 50V RA-2	OA10605020	Q951	/N/S	4822 209 83631	IC,NJM4558D-D	HC10008090
CW03	/N/S	4822 122 31205	CER.47pF ±5% CH 50V BLK	DD15470300	QM81		5322 209 11532	IC,74HC4094 16PIN DIP	HC709449B0
CW04	/N/S	4822 122 31205	CER.47pF ±5% CH 50V BLK	DD15470300	QM82		5322 209 11532	IC,74HC4094 16PIN DIP	HC709449B0
CW05		4822 124 22571	ELECT.10µF ±20% 50V RA-2	OA10605020	QM83				
CW06		4822 124 22571	ELECT.10µF ±20% 50V RA-2	OA10605020	∫	4822 130 61227	DIG.TRS.DTA114ES/UN4111 10K,10K	BA10001000	
CW07		4822 122 30043	CER.0.01µF Z 50V	DK18103310	QM88				
CW08		4822 122 30043	CER.0.01µF Z 50V	DK18103310	QM89	4822 130 60588	DIG.TRS.DTC114ES/UN4211 10K,10K	BA20001000	
CW31		4822 124 22571	ELECT.10µF ±20% 50V RA-2	OA10605020	QM90	4822 130 61227	DIG.TRS.DTA114ES/UN4111 10K,10K	BA10001000	
CW32		4822 124 22571	ELECT.10µF ±20% 50V RA-2	OA10605020	QT02	4822 130 60588	DIG.TRS.DTC114ES/UN4211 10K,10K	BA20001000	
CW35		4822 124 22571	ELECT.10µF ±20% 50V RA-2	OA10605020	▲ QT03	/N	4822 209 70084	IC,NJM7812FA +12V	HC38912090
CW36		4822 124 22571	ELECT.10µF ±20% 50V RA-2	OA10605020	▲ QT03	/S/U		IC,NJM7812FA +12V	HC38912090
CW37		4822 122 30043	CER.0.01µF Z 50V	DK18103310	QT04	4822 130 61227	DIG.TRS.DTA114ES/UN4111 10K,10K	BA10001000	
CW38		4822 122 30043	CER.0.01µF Z 50V	DK18103310	QW01	4822 209 73064	IC,NJM-2068-DD	HC10053090	
CY01		4822 122 30043	CER.0.01µF Z 50V	DK18103310	QW31	4822 209 83631	IC,NJM4558D-D	HC10008090	
					QY01	9965 000 12340	IC,TC74HC368AP	HC736805B0	
			PY04-CAPACITORS(COMMON)						
			HIGH DIELECTRIC CONSTANT CER.CAPACITOR ±10% 50V : C904-C906[/N/S] C953[/N/S] C954[/N/S] CM83 CM86 CT02 CT03						
			PY04- RESISTORS						
R851		4822 050 21501	150Ω ±5% 1/4W	GG05151140	▲ F851	/N/S	4822 071 52002	FUSE,T2.0A 250V TR5	FS20200200
R852		4822 116 82805	1Ω ±5% 1/6W	GG05010160	▲ F851	/U		FUSE,T2A 250V TR5 NO.19374	FS20200210
			PY04- RESISTORS(COMMON)		▲ F852	/N/S	4822 071 52002	FUSE,T2.0A 250V TR5	FS20200200
			CARBON FILM FIXED RES.		▲ F852	/U		FUSE,T2A 250V TR5 NO.19374	FS20200210
			R***		▲ F853	/N/S	4822 071 52002	FUSE,T2.0A 250V TR5	FS20200200

NOTE : *nsp* PART IS LISTED FOR REFERENCE ONLY, MARANTZ WILL NOT SUPPLY THESE PARTS.

SR9200

POS. NO	VERS. COLOR	PART NO. (FOR PCS)	DESCRIPTION	PART NO. (MJI)
▲ F853	/U		FUSE,T2A 250V TR5 NO.19374	FS20200210
▲ F854	/N/S	4822 071 52002	FUSE,T2.0A 250V TR5	FS20200200
▲ F854	/U		FUSE,T2A 250V TR5 NO.19374	FS20200210
L901	/N/S	4822 242 73843	EMI FILTER,DSS306-91-F-223Z	FM12223010
L911	/N/S	4822 242 73843	EMI FILTER,DSS306-91-F-223Z	FM12223010
LT05		4822 242 73843	EMI FILTER,DSS306-91-F-223Z	FM12223010
LT06		4822 242 73843	EMI FILTER,DSS306-91-F-223Z	FM12223010
X901	/N/S	4822 242 10857	CRYSTAL,4.332MHZ,AT-49	JX04003260

NOTE : "nsp" PART IS LISTED FOR REFERENCE ONLY, MARANTZ WILL NOT SUPPLY THESE PARTS.

SR8200

POS. NO	VERS. COLOR	PART NO. (FOR PCS)	DESCRIPTION	PART NO. (MUJ)	POS. NO	VERS. COLOR	PART NO. (FOR PCS)	DESCRIPTION	PART NO. (MUJ)
			P114- POWER AMP FL FR SBL CIRCUIT BOARD		▲ R132		4822 111 91422	COMPO.0.1Ω ±10% 5WX2RGC-55 TYPE	BW10000050
C101		4822 124 22571	ELECT.10μF ±20% 50V RA-2	OA10605020	R142		4822 052 10109	10Ω ±5% 1/4W	GG05100140
C103		4822 124 90355	ELECT.100μF ±20% 50V RA-2	OA10705020	R143		4822 052 10109	10Ω ±5% 1/4W	GG05100140
C105		4822 124 22571	ELECT.10μF ±20% 50V RA-2	OA10605020	R149		4822 052 10109	10Ω ±5% 1/4W	GG05100140
C106		4822 124 23068	ELECT.220μF ±20% 63V RA-2	OA22706320	R206		4822 052 10331	330Ω ±5% 1/4W	GG05331140
C107		4822 124 23068	ELECT.220μF ±20% 63V RA-2	OA22706320	}				
C111		4822 122 32185	CER.10pF D CH 50V BLK	DD11100300	R209				
C112			CER.47pF ±5% SL 500V	DD15470560	R213		4822 052 10471	470Ω ±5% 1/6W	GG05471160
C113			CER.47pF ±5% SL 500V	DD15470560	R214		4822 052 10471	470Ω ±5% 1/6W	GG05471160
C148		4822 124 41535	ELECT.100μF ±20% 25V RA-2	OA10702520	R217		4822 052 10151	150Ω ±5% 1/6W	GG05151160
C149		4822 124 41535	ELECT.100μF ±20% 25V RA-2	OA10702520	R218		4822 052 10151	150Ω ±5% 1/6W	GG05151160
C201		4822 124 22571	ELECT.10μF ±20% 50V RA-2	OA10605020	R223		4822 100 11452	TRIM.VAR.470 VERTICAL	RA04710760
C203		4822 124 90355	ELECT.100μF ±20% 50V RA-2	OA10705020	R224		4822 052 10101	100Ω ±5% 1/6W	GG05101160
C205		4822 124 22571	ELECT.10μF ±20% 50V RA-2	OA10605020	R225		4822 052 10101	100Ω ±5% 1/6W	GG05101160
C206		4822 124 23068	ELECT.220μF ±20% 63V RA-2	OA22706320	R226		4822 050 21022	1kΩ ±5% 1/4W	GG05102140
C207		4822 124 23068	ELECT.220μF ±20% 63V RA-2	OA22706320	R227		4822 052 10479	47Ω ±5% 1/4W	GG05470140
C211		4822 122 32185	CER.10pF D CH 50V BLK	DD11100300	R228		4822 052 10479	47Ω ±5% 1/4W	GG05470140
C212			CER.47pF ±5% SL 500V	DD15470560	R229		4822 052 10109	10Ω ±5% 1/4W	GG05100140
C213			CER.47pF ±5% SL 500V	DD15470560	R230		4822 052 10109	10Ω ±5% 1/4W	GG05100140
C301		4822 124 22571	ELECT.10μF ±20% 50V RA-2	OA10605020	R231		4822 116 83929	220Ω ±5% 1/4W	GG05221140
C303		4822 124 90355	ELECT.100μF ±20% 50V RA-2	OA10705020	▲ R232		4822 111 91422	COMPO.0.1Ω ±10% 5WX2RGC-55 TYPE	BW10000050
C305		4822 124 22571	ELECT.10μF ±20% 50V RA-2	OA10605020	R242		4822 052 10109	10Ω ±5% 1/4W	GG05100140
C306		4822 124 23068	ELECT.220μF ±20% 63V RA-2	OA22706320	R243		4822 052 10109	10Ω ±5% 1/4W	GG05100140
C307		4822 124 23068	ELECT.220μF ±20% 63V RA-2	OA22706320	R306		4822 052 10331	330Ω ±5% 1/4W	GG05331140
C311		4822 122 32185	CER.10pF D CH 50V BLK	DD11100300	}				
C312			CER.47pF ±5% SL 500V	DD15470560	R309				
C313			CER.47pF ±5% SL 500V	DD15470560	R313		4822 052 10471	470Ω ±5% 1/6W	GG05471160
C348		4822 124 41535	ELECT.100μF ±20% 25V RA-2	OA10702520	R314		4822 052 10471	470Ω ±5% 1/6W	GG05471160
C349		4822 124 41535	ELECT.100μF ±20% 25V RA-2	OA10702520	R317		4822 052 10151	150Ω ±5% 1/6W	GG05151160
CN14		4822 124 22571	ELECT.10μF ±20% 50V RA-2	OA10605020	R318		4822 052 10151	150Ω ±5% 1/6W	GG05151160
CN18		4822 124 41543	ELECT.1μF ±20% 50V RA-2	OA10505020	R323		4822 100 11452	TRIM.VAR.470 VERTICAL	RA04710760
CN66		4822 124 41543	ELECT.1μF ±20% 50V RA-2	OA10505020	R324		4822 052 10101	100Ω ±5% 1/6W	GG05101160
			P114-CAPACITORS(COMMON)		R325		4822 052 10101	100Ω ±5% 1/6W	GG05101160
C***			PLASTIC FILM CAPACITOR ±5% 50V : C104 C108 C154 C204 C208 C254 C308 C304 C354		R326		4822 050 21022	1kΩ ±5% 1/4W	GG05102140
C***			HIGH DIELECTRIC CONSTANT CER.CAPACITOR ±10% 50V : C102 C152 C202 C252 C302 C352		R327		4822 052 10479	47Ω ±5% 1/4W	GG05470140
			P114- RESISTORS		R328		4822 052 10479	47Ω ±5% 1/4W	GG05470140
R106		4822 052 10331	330Ω ±5% 1/4W	GG05331140	R***				
R109									
R113		4822 052 10471	470Ω ±5% 1/6W	GG05471160					
R114		4822 052 10471	470Ω ±5% 1/6W	GG05471160					
R117		4822 052 10151	150Ω ±5% 1/6W	GG05151160					
R118		4822 052 10151	150Ω ±5% 1/6W	GG05151160					
R123		4822 100 11452	TRIM.VAR.470 VERTICAL	RA04710760					
R124		4822 052 10101	100Ω ±5% 1/6W	GG05101160					
R125		4822 052 10101	100Ω ±5% 1/6W	GG05101160					
R126		4822 050 21022	1kΩ ±5% 1/4W	GG05102140					
R127		4822 052 10479	47Ω ±5% 1/4W	GG05470140					
R128		4822 052 10479	47Ω ±5% 1/4W	GG05470140					
R129		4822 052 10109	10Ω ±5% 1/4W	GG05100140					
R130		4822 052 10109	10Ω ±5% 1/4W	GG05100140					
R131		4822 116 83929	220Ω ±5% 1/4W	GG05221140					
								P114- RESISTORS(COMMON)	
								CARBON FILM FIXED RES. ±5% 1/6W : R101 R102 R104 R105 R110-R112 R115 R116 R119 R120-R122 R133-R137 R139 R201 R202 R204 R205 R210-R212 R215 R216 R219-R222 R233-R237 R239 R301 R302 R304 R305 R310-R312 R315 R316 R319-R322 R333-R337 R339 R542-R544 RN40 RN41	
								P114- SEMICONDUCTORS	
					D101		4822 130 32362	DIODE,1SS176,MA165,1SS254 30V 0.1A	HD20002000
					}				
					D104				
					D105		4822 130 80273	ZENER,8.2V EQUIVALENT	HD30821000

NOTE : *nsp* PART IS LISTED FOR REFERENCE ONLY, MARANTZ WILL NOT SUPPLY THESE PARTS.

SR8200

POS. NO	VERS. COLOR	PART NO. (FOR PCS)	DESCRIPTION	PART NO. (MUJ)	POS. NO	VERS. COLOR	PART NO. (FOR PCS)	DESCRIPTION	PART NO. (MUJ)
D106		4822 130 80273	ZENER,8.2V EQUIVALENT	HD30821000	▲ Q216		4822 130 10962	TRS.C3856 OPY 15A 130W LF119	HT338563A0
D107		4822 130 80837	DIODE,HSS81TD 150V 150MA AXIAL TAPG.	HD20027010	▲ Q217		4822 130 10963	TRS.A1492 OPY 15A 130W LF119	HT114923A0
D108		4822 130 80837	DIODE,HSS81TD 150V 150MA AXIAL TAPG.	HD20027010	Q218		4822 130 43233	TRS.2SC2240 GR OR BL	HT322402A0
D109		4822 130 31554	ZENER,4.3V EQUIVALENT	HD30431000	Q301		4822 209 73064	IC,NJM-2068-DD	HC10053090
D201		4822 130 32362	DIODE,1SS176,MA165,1SS254 30V 0.1A	HD20002000	Q303		4822 130 60107	TRS.2SA1048 Y OR GR	HT110482B0
∫					Q304		4822 130 60839	TRS.2SC2458 Y OR GR	HT324582B0
D204		4822 130 80273	ZENER,8.2V EQUIVALENT	HD30821000	Q305		4822 130 43233	TRS.2SC2240 GR OR BL	HT322402A0
D205		4822 130 80273	ZENER,8.2V EQUIVALENT	HD30821000	Q306		4822 130 42949	TRS.2SA970 (GR) OR (BL)	HT109702A0
D206		4822 130 80837	DIODE,HSS81TD 150V 150MA AXIAL TAPG.	HD20027010	Q307		4822 130 42949	TRS.2SA970 (GR) OR (BL)	HT109702A0
D207		4822 130 80837	DIODE,HSS81TD 150V 150MA AXIAL TAPG.	HD20027010	Q308		4822 130 43233	TRS.2SC2240 GR OR BL	HT322402A0
D208		4822 130 80837	DIODE,HSS81TD 150V 150MA AXIAL TAPG.	HD20027010	Q309		4822 130 42999	TRS.2SA1145 O OR Y TAPING	HT111452A0
D209		4822 130 31554	ZENER,4.3V EQUIVALENT	HD30431000	Q310		4822 130 43283	TRS.2SC2705 O OR Y TAPING	HT327052A0
D301		4822 130 32362	DIODE,1SS176,MA165,1SS254 30V 0.1A	HD20002000	Q311		4822 130 60117	TRS.C3419 Y 40V 0.8A PC=1.2W (5W)	HT334191Y0
∫					Q312		4822 130 63312	TRS.2SC4883 O OR Y	HT348832A0
D304		4822 130 80273	ZENER,8.2V EQUIVALENT	HD30821000	Q313		4822 130 63308	TRS.2SA1859 O OR Y	HT118592A0
D305		4822 130 80273	ZENER,8.2V EQUIVALENT	HD30821000	▲ Q314		4822 130 60354	TRS.C3421 OY 120V 1A PC1.5W(10W)	HT334212A0
D306		4822 130 80837	DIODE,HSS81TD 150V 150MA AXIAL TAPG.	HD20027010	▲ Q315		4822 130 60353	TRS.A1358 OY 120V 1A PC1.5W(10W)	HT113582A0
D307		4822 130 80837	DIODE,HSS81TD 150V 150MA AXIAL TAPG.	HD20027010	▲ Q316		4822 130 10962	TRS.C3856 OPY 15A 130W LF119	HT338563A0
D308		4822 130 80837	DIODE,HSS81TD 150V 150MA AXIAL TAPG.	HD20027010	▲ Q317		4822 130 10963	TRS.A1492 OPY 15A 130W LF119	HT114923A0
D309		4822 130 31554	ZENER,4.3V EQUIVALENT	HD30431000	Q318		4822 130 43233	TRS.2SC2240 GR OR BL	HT322402A0
Q101		4822 209 73064	IC,NJM-2068-DD	HC10053090	QN08		4822 130 42949	TRS.2SA970 (GR) OR (BL)	HT109702A0
Q103		4822 130 60107	TRS.2SA1048 Y OR GR	HT110482B0					
Q104		4822 130 60839	TRS.2SC2458 Y OR GR	HT324582B0					
Q105		4822 130 43233	TRS.2SC2240 GR OR BL	HT322402A0	K101		4822 130 60795	TRS.KIT,A1358,C3421 O OR A1358,C3421 Y	HK135819C0
Q106		4822 130 42949	TRS.2SA970 (GR) OR (BL)	HT109702A0	K102		4822 130 10964	TRS.KIT,2SA1492/2SC3856 OPY LF119	HK149219A0
Q107		4822 130 42949	TRS.2SA970 (GR) OR (BL)	HT109702A0	K103		4822 130 10965	TRS.KIT,2SA1859/C4883 O/O OR Y/Y PAIR	HK185919C0
Q108		4822 130 43233	TRS.2SC2240 GR OR BL	HT322402A0	K201		4822 130 60795	TRS.KIT,A1358,C3421 O OR A1358,C3421 Y	HK135819C0
Q109		4822 130 42999	TRS.2SA1145 O OR Y TAPING	HT111452A0	K202		4822 130 10964	TRS.KIT,2SA1492/2SC3856 OPY LF119	HK149219A0
Q110		4822 130 43283	TRS.2SC2705 O OR Y TAPING	HT327052A0	K203		4822 130 10965	TRS.KIT,2SA1859/C4883 O/O OR Y/Y PAIR	HK185919C0
Q111		4822 130 60117	TRS.C3419 Y 40V 0.8A PC=1.2W (5W)	HT334191Y0	K301		4822 130 60795	TRS.KIT,A1358,C3421 O OR A1358,C3421 Y	HK135819C0
Q112		4822 130 63312	TRS.2SC4883 O OR Y	HT348832A0	K302		4822 130 10964	TRS.KIT,2SA1492/2SC3856 OPY LF119	HK149219A0
Q113		4822 130 63308	TRS.2SA1859 O OR Y	HT118592A0	K303		4822 130 10965	TRS.KIT,2SA1859/C4883 O/O OR Y/Y PAIR	HK185919C0
▲ Q114		4822 130 60354	TRS.C3421 OY 120V 1A PC1.5W(10W)	HT334212A0					
▲ Q115		4822 130 60353	TRS.A1358 OY 120V 1A PC1.5W(10W)	HT113582A0					
▲ Q116		4822 130 10962	TRS.C3856 OPY 15A 130W LF119	HT338563A0					
▲ Q117		4822 130 10963	TRS.A1492 OPY 15A 130W LF119	HT114923A0					
Q118		4822 130 43233	TRS.2SC2240 GR OR BL	HT322402A0					
Q203		4822 130 60107	TRS.2SA1048 Y OR GR	HT110482B0					
Q204		4822 130 60839	TRS.2SC2458 Y OR GR	HT324582B0					
Q205		4822 130 43233	TRS.2SC2240 GR OR BL	HT322402A0					
Q206		4822 130 42949	TRS.2SA970 (GR) OR (BL)	HT109702A0					
Q207		4822 130 42949	TRS.2SA970 (GR) OR (BL)	HT109702A0					
Q208		4822 130 43233	TRS.2SC2240 GR OR BL	HT322402A0					
Q209		4822 130 42999	TRS.2SA1145 O OR Y TAPING	HT111452A0					
Q210		4822 130 43283	TRS.2SC2705 O OR Y TAPING	HT327052A0					
Q211		4822 130 60117	TRS.C3419 Y 40V 0.8A PC=1.2W (5W)	HT334191Y0					
Q212		4822 130 63312	TRS.2SC4883 O OR Y	HT348832A0					
Q213		4822 130 63308	TRS.2SA1859 O OR Y	HT118592A0					
▲ Q214		4822 130 60354	TRS.C3421 OY 120V 1A PC1.5W(10W)	HT334212A0					
▲ Q215		4822 130 60353	TRS.A1358 OY 120V 1A PC1.5W(10W)	HT113582A0					
								P114- MISCELLANEOUS	
								TRS.KIT,A1358,C3421 O OR A1358,C3421 Y	
								TRS.KIT,2SA1492/2SC3856 OPY LF119	
								TRS.KIT,2SA1859/C4883 O/O OR Y/Y PAIR	
								TRS.KIT,A1358,C3421 O OR A1358,C3421 Y	
								TRS.KIT,2SA1492/2SC3856 OPY LF119	
								TRS.KIT,2SA1859/C4883 O/O OR Y/Y PAIR	
								TRS.KIT,A1358,C3421 O OR A1358,C3421 Y	
								TRS.KIT,2SA1492/2SC3856 OPY LF119	
								TRS.KIT,2SA1859/C4883 O/O OR Y/Y PAIR	
								P124- SPKOUTS	
								FRONT SURRBACK HEAD	
								CIRCUIT BOARD	
								P124- CAPACITORS	
					CN10		4822 126 10364	CER.100pF UP050B101 K-A	DA16101110
					CN11		4822 126 10364	CER.100pF UP050B101 K-A	DA16101110
					CN12		4822 126 10364	CER.100pF UP050B101 K-A	DA16101110
					CN93	/N/S	4822 122 40617	CER.50V DC 0.1µF +80-20%	DD38104010
					CN95	/N/S	4822 122 40617	CER.50V DC 0.1µF +80-20%	DD38104010
					CN96	/N/S	4822 122 40617	CER.50V DC 0.1µF +80-20%	DD38104010
								P124-CAPACITORS(COMMON)	
								PLASTIC FILM CAPACITOR	
								±5% 50V : C109 C110 C209	
								C210 C309 C310	

NOTE : *nsp* PART IS LISTED FOR REFERENCE ONLY, MARANTZ WILL NOT SUPPLY THESE PARTS.

SR8200

POS. NO	VERS. COLOR	PART NO. (FOR PCS)	DESCRIPTION	PART NO. (MUJ)	POS. NO	VERS. COLOR	PART NO. (FOR PCS)	DESCRIPTION	PART NO. (MUJ)
C***			HIGH DIELECTRIC CONSTANT CER.CAPACITOR ±10% 50V : C119[/N/S] C219[/N/S] C319[/N/S]		C363			CER.47pF ±5% SL 500V	DD15470560
R138		4822 053 10109	P124- RESISTORS 10Ω ±5% 1W	GA05100010	C389		4822 124 41535	ELECT.100μF ±20% 25V RA-2	OA10702520
R238		4822 053 10109	10Ω ±5% 1W	GA05100010	C399		4822 124 41535	ELECT.100μF ±20% 25V RA-2	OA10702520
R338		4822 053 10109	10Ω ±5% 1W	GA05100010	C501				
RN35		4822 116 83929	220Ω ±5% 1/4W	GG05221140	}		4822 126 10364	CER.100pF UP050B101K-A	DA16101110
RN37		4822 116 83929	220Ω ±5% 1/4W	GG05221140	C507				
RP91		4822 053 10331	330Ω ±5% 1W	GA05331010	C508		4822 124 41543	ELECT.1μF ±20% 50V RA-2	OA10505020
RP92		4822 053 10331	330Ω ±5% 1W	GA05331010	C509		4822 124 41535	ELECT.100μF ±20% 25V RA-2	OA10702520
RP93		4822 052 10331	330Ω ±5% 1/4W	GG05331140	C510		4822 124 41535	ELECT.100μF ±20% 25V RA-2	OA10702520
			P124- RESISTORS(COMMON) CARBON FILM FIXED RES. ±5% 1/6W : RN27-RN32		CN01		4822 124 90355	ELECT.100μF ±20% 50V RA-2	OA10705020
			P124- SEMICONDUCTORS		CN02		4822 122 30043	CER.0.01μF Z 50V	DK18103310
DN05		4822 130 82421	DIODE,1D3 1A/200V	HD20002710	CN03		4822 124 22273	ELECT.0.47μF ±20% 50V RA-2	OA47405020
DN07		4822 130 82421	DIODE,1D3 1A/200V	HD20002710	CN04		4822 124 22273	ELECT.0.47μF ±20% 50V RA-2	OA47405020
DP91		4822 130 82421	DIODE,1D3 1A/200V	HD20002710	CN05		4822 124 41543	ELECT.1μF ±20% 50V RA-2	OA10505020
QN04		4822 130 60839	TRS.2SC2458 Y OR GR	HT324582B0	CN06		4822 122 30043	CER.0.01μF Z 50V	DK18103310
QN05		4822 130 60839	TRS.2SC2458 Y OR GR	HT324582B0	CN15		4822 124 22571	ELECT.10μF ±20% 50V RA-2	OA10605020
QN06		4822 130 60839	TRS.2SC2458 Y OR GR	HT324582B0	CN17		4822 122 30043	CER.0.01μF Z 50V	DK18103310
			P124- MISCELLANEOUS		CN61		4822 124 41535	ELECT.100μF ±20% 25V RA-2	OA10702520
J149		9965 000 12663	TERMINAL,SPKROUT FL FR SB 6P	YT01060030	CN62		4822 122 30043	CER.0.01μF Z 50V	DK18103310
▲ LN01		4822 280 70354	RELAY,VB 24MBU-510 5A/240VAC	LY20240310	CN63		4822 124 41543	ELECT.1μF ±20% 50V RA-2	OA10505020
▲ LN03		4822 280 70354	RELAY,VB 24MBU-510 5A/240VAC	LY20240310	CN64		4822 124 41543	ELECT.1μF ±20% 50V RA-2	OA10505020
LP91		9965 000 05895	RELAY,HP OUT RELAY	LY20240490	CN65		4822 124 41543	ELECT.1μF ±20% 50V RA-2	OA10505020
			P154- POWER AMP C SL SR, AVSS SENS CIRCUIT BOARD		C***			P154-CAPACITORS(COMMON) PLASTIC FILM CAPACITOR ±5% 50V : C158 C258 C358	
C151		4822 124 22571	ELECT.10μF ±20% 50V RA-2	OA10605020				P154- RESISTORS	
C153		4822 124 90355	ELECT.100μF ±20% 50V RA-2	OA10705020	R156				
C155		4822 124 22571	ELECT.10μF ±20% 50V RA-2	OA10605020	}		4822 052 10331	330Ω ±5% 1/4W	GG05331140
C156		4822 124 23068	ELECT.220μF ±20% 63V RA-2	OA22706320	R159				
C157		4822 124 23068	ELECT.220μF ±20% 63V RA-2	OA22706320	R163		4822 052 10471	470Ω ±5% 1/6W	GG05471160
C161		4822 122 32185	CER.10pF D CH 50V BLK	DD11100300	R164		4822 052 10471	470Ω ±5% 1/6W	GG05471160
C162			CER.47pF ±5% SL 500V	DD15470560	R167		4822 052 10151	150Ω ±5% 1/6W	GG05151160
C163			CER.47pF ±5% SL 500V	DD15470560	R168		4822 052 10151	150Ω ±5% 1/6W	GG05151160
C198		4822 124 41535	ELECT.100μF ±20% 25V RA-2	OA10702520	R173		4822 100 11452	TRIM.VAR.470 VERTICAL	RA04710760
C199		4822 124 41535	ELECT.100μF ±20% 25V RA-2	OA10702520	R174		4822 052 10101	100Ω ±5% 1/6W	GG05101160
C251		4822 124 22571	ELECT.10μF ±20% 50V RA-2	OA10605020	R175		4822 052 10101	100Ω ±5% 1/6W	GG05101160
C253		4822 124 90355	ELECT.100μF ±20% 50V RA-2	OA10705020	R176		4822 050 21022	1kΩ ±5% 1/4W	GG05102140
C255		4822 124 22571	ELECT.10μF ±20% 50V RA-2	OA10605020	R177		4822 052 10479	47Ω ±5% 1/4W	GG05470140
C256		4822 124 23068	ELECT.220μF ±20% 63V RA-2	OA22706320	R178		4822 052 10479	47Ω ±5% 1/4W	GG05470140
C257		4822 124 23068	ELECT.220μF ±20% 63V RA-2	OA22706320	R179		4822 052 10109	10Ω ±5% 1/4W	GG05100140
C261		4822 122 32185	CER.10pF D CH 50V BLK	DD11100300	R180		4822 052 10109	10Ω ±5% 1/4W	GG05100140
C262			CER.47pF ±5% SL 500V	DD15470560	R181		4822 116 83929	220Ω ±5% 1/4W	GG05221140
C263			CER.47pF ±5% SL 500V	DD15470560	▲ R182		4822 111 91422	COMPO.0.1Ω ±10% 5W X2RGC-55 TYPE	BW10000050
C351		4822 124 22571	ELECT.10μF ±20% 50V RA-2	OA10605020	R192		4822 052 10109	10Ω ±5% 1/4W	GG05100140
C353		4822 124 90355	ELECT.100μF ±20% 50V RA-2	OA10705020	R193		4822 052 10109	10Ω ±5% 1/4W	GG05100140
C355		4822 124 22571	ELECT.10μF ±20% 50V RA-2	OA10605020	R199		4822 052 10109	10Ω ±5% 1/4W	GG05100140
C356		4822 124 23068	ELECT.220μF ±20% 63V RA-2	OA22706320	R256				
C357		4822 124 23068	ELECT.220μF ±20% 63V RA-2	OA22706320	}		4822 052 10331	330Ω ±5% 1/4W	GG05331140
C361		4822 122 32185	CER.10pF D CH 50V BLK	DD11100300	R259				
C362			CER.47pF ±5% SL 500V	DD15470560	R263		4822 052 10471	470Ω ±5% 1/6W	GG05471160
					R264		4822 052 10471	470Ω ±5% 1/6W	GG05471160
					R267		4822 052 10151	150Ω ±5% 1/6W	GG05151160
					R268		4822 052 10151	150Ω ±5% 1/6W	GG05151160
					R273		4822 100 11452	TRIM.VAR.470 VERTICAL	RA04710760
					R274		4822 052 10101	100Ω ±5% 1/6W	GG05101160
					R275		4822 052 10101	100Ω ±5% 1/6W	GG05101160
					R276		4822 050 21022	1kΩ ±5% 1/4W	GG05102140
					R277		4822 052 10479	47Ω ±5% 1/4W	GG05470140
					R278		4822 052 10479	47Ω ±5% 1/4W	GG05470140
					R279		4822 052 10109	10Ω ±5% 1/4W	GG05100140
					R280		4822 052 10109	10Ω ±5% 1/4W	GG05100140

NOTE : *nsp* PART IS LISTED FOR REFERENCE ONLY, MARANTZ WILL NOT SUPPLY THESE PARTS.

SR8200

POS. NO	VERS. COLOR	PART NO. (FOR PCS)	DESCRIPTION	PART NO. (MUJ)	POS. NO	VERS. COLOR	PART NO. (FOR PCS)	DESCRIPTION	PART NO. (MUJ)
R281		4822 116 83929	220Ω ±5% 1/4W	GG05221140	D258		4822 130 80837	DIODE,HSS81TD 150V 150MA	HD20027010
▲ R282		4822 111 91422	COMPO.0.1Ω ±10% 5WX2RGC-55 TYPE	BW10000050	D259		4822 130 31554	ZENER,4.3V EQUIVALENT	HD30431000
R292		4822 052 10109	10Ω ±5% 1/4W	GG05100140	D351		4822 130 32362	DIODE,1SS176,MA165,1SS254	HD20002000
R293		4822 052 10109	10Ω ±5% 1/4W	GG05100140	∫			30V 0.1A	
R356		4822 052 10331	330Ω ±5% 1/4W	GG05331140	D354		4822 130 80273	ZENER,8.2V EQUIVALENT	HD30821000
∫					D355		4822 130 80273	ZENER,8.2V EQUIVALENT	HD30821000
R359		4822 052 10471	470Ω ±5% 1/6W	GG05471160	D356		4822 130 80837	DIODE,HSS81TD 150V 150MA	HD20027010
R363		4822 052 10471	470Ω ±5% 1/6W	GG05471160	D357		4822 130 80837	DIODE,HSS81TD 150V 150MA	HD20027010
R364		4822 052 10151	150Ω ±5% 1/6W	GG05151160					
R367		4822 052 10151	150Ω ±5% 1/6W	GG05151160	D358		4822 130 80837	DIODE,HSS81TD 150V 150MA	HD20027010
R368		4822 052 10151	150Ω ±5% 1/6W	GG05151160					
R373		4822 100 11452	TRIM.VAR.470 VERTICAL	RA04710760	D359		4822 130 31554	ZENER,4.3V EQUIVALENT	HD30431000
R374		4822 052 10101	100Ω ±5% 1/6W	GG05101160	D511		4822 130 32362	DIODE,1SS176,MA165,1SS254	HD20002000
R375		4822 052 10101	100Ω ±5% 1/6W	GG05101160	∫			30V 0.1A	
R376		4822 050 21022	1kΩ ±5% 1/4W	GG05102140	D517		4822 130 80273	ZENER,8.2V EQUIVALENT	HD30821000
R377		4822 052 10479	47Ω ±5% 1/4W	GG05470140	DN61		4822 130 10667	ZENER,4.7V EQUIVALENT	HD30471000
R378		4822 052 10479	47Ω ±5% 1/4W	GG05470140	DN62		4822 209 73064	IC,NJM-2068-DD	HC10053090
R379		4822 052 10109	10Ω ±5% 1/4W	GG05100140	Q151		4822 130 60107	TRS.2SA1048 Y OR GR	HT110482B0
R380		4822 052 10109	10Ω ±5% 1/4W	GG05100140	Q153		4822 130 60839	TRS.2SC2458 Y OR GR	HT324582B0
R381		4822 116 83929	220Ω ±5% 1/4W	GG05221140	Q154		4822 130 43233	TRS.2SC2240 GR OR BL	HT322402A0
▲ R382		4822 111 91422	COMPO.0.1Ω ±10% 5WX2RGC-55 TYPE	BW10000050	Q155		4822 130 42949	TRS.2SA970 (GR) OR (BL)	HT109702A0
R392		4822 052 10109	10Ω ±5% 1/4W	GG05100140	Q156		4822 130 42949	TRS.2SA970 (GR) OR (BL)	HT109702A0
R393		4822 052 10109	10Ω ±5% 1/4W	GG05100140	Q157		4822 130 43233	TRS.2SC2240 GR OR BL	HT322402A0
RN83		4822 050 24708	4.7Ω ±5% 1/2W	GG05047120	Q158		4822 130 42999	TRS.2SA1145 O OR Y TAPING	HT111452A0
			P154- RESISTORS(COMMON)		Q159		4822 130 43283	TRS.2SC2705 O OR Y TAPING	HT327052A0
			CARBON FILM FIXED RES.		Q160		4822 130 60117	TRS.C3419 Y 40V 0.8A	HT334191Y0
			±5% 1/6W : R151 R152 R154		Q161		4822 130 63312	TRS.C3419 Y 40V 0.8A	HT334191Y0
			R155 R160-R162 R165 R166				PC=1.2W (5W)		
			R169-R172 R183-R187 R189		Q162		4822 130 63308	TRS.2SC4883 O OR Y	HT348832A0
			R251 R252 R254 R255 R260		Q163		4822 130 60354	TRS.2SA1859 O OR Y	HT118592A0
			R261 R262 R265 R266 R269		▲ Q164		4822 130 60354	TRS.C3421 OY 120V 1A	HT334212A0
			R270-R272 R283-R287 R289				PC1.5W(10W)		
			R351 R352 R354 R355 R360		▲ Q165		4822 130 60353	TRS.A1358 OY 120V 1A	HT113582A0
			R361 R362 R365 R366 R369				PC1.5W(10W)		
			R370-R372 R383-R387 R389		▲ Q166		4822 130 10962	TRS.C3856 OPY 15A 130W	HT338563A0
			R501-R503 R505-R509 R517				LF119		
			R530-R535 R540 R541 R545		▲ Q167		4822 130 10963	TRS.A1492 OPY 15A 130W	HT114923A0
			R549 RN01-RN06 RN08-RN16				LF119		
			RN18-RN23 RN42 RN43 RN61		Q168		4822 130 43233	TRS.2SC2240 GR OR BL	HT322402A0
			RN63-RN71 RN76 RN77 RN80		Q253		4822 130 60107	TRS.2SA1048 Y OR GR	HT110482B0
			RN84 RN85		Q254		4822 130 60839	TRS.2SC2458 Y OR GR	HT324582B0
			P154- SEMICONDUCTORS		Q255		4822 130 43233	TRS.2SC2240 GR OR BL	HT322402A0
D151		4822 130 32362	DIODE,1SS176,MA165,1SS254	HD20002000	Q256		4822 130 42949	TRS.2SA970 (GR) OR (BL)	HT109702A0
∫			30V 0.1A		Q257		4822 130 42949	TRS.2SA970 (GR) OR (BL)	HT109702A0
D154		4822 130 80273	ZENER,8.2V EQUIVALENT	HD30821000	Q258		4822 130 43233	TRS.2SC2240 GR OR BL	HT322402A0
D155		4822 130 80273	ZENER,8.2V EQUIVALENT	HD30821000	Q259		4822 130 42999	TRS.2SA1145 O OR Y TAPING	HT111452A0
D156		4822 130 80837	DIODE,HSS81TD 150V 150MA	HD20027010	Q260		4822 130 43283	TRS.2SC2705 O OR Y TAPING	HT327052A0
D157		4822 130 80837	DIODE,HSS81TD 150V 150MA	HD20027010	Q261		4822 130 60117	TRS.C3419 Y 40V 0.8A	HT334191Y0
D158		4822 130 80837	DIODE,HSS81TD 150V 150MA	HD20027010			PC=1.2W (5W)		
D159		4822 130 31554	ZENER,4.3V EQUIVALENT	HD30431000	Q262		4822 130 63312	TRS.2SC4883 O OR Y	HT348832A0
D251		4822 130 32362	DIODE,1SS176,MA165,1SS254	HD20002000	Q263		4822 130 63308	TRS.2SA1859 O OR Y	HT118592A0
∫			30V 0.1A		▲ Q264		4822 130 60354	TRS.C3421 OY 120V 1A	HT334212A0
D254		4822 130 80273	ZENER,8.2V EQUIVALENT	HD30821000			PC1.5W(10W)		
D255		4822 130 80273	ZENER,8.2V EQUIVALENT	HD30821000	▲ Q265		4822 130 60353	TRS.A1358 OY 120V 1A	HT113582A0
D256		4822 130 80273	ZENER,8.2V EQUIVALENT	HD30821000			PC1.5W(10W)		
D257		4822 130 80837	DIODE,HSS81TD 150V 150MA	HD20027010	▲ Q266		4822 130 10962	TRS.C3856 OPY 15A 130W	HT338563A0
			AXIAL TAPG.				LF119		
					▲ Q267		4822 130 10963	TRS.A1492 OPY 15A 130W	HT114923A0
							LF119		
					Q268		4822 130 43233	TRS.2SC2240 GR OR BL	HT322402A0
					Q351		4822 209 73064	IC,NJM-2068-DD	HC10053090
					Q353		4822 130 60107	TRS.2SA1048 Y OR GR	HT110482B0

NOTE : *nsp* PART IS LISTED FOR REFERENCE ONLY, MARANTZ WILL NOT SUPPLY THESE PARTS.

SR8200

POS. NO	VERS. COLOR	PART NO. (FOR PCS)	DESCRIPTION	PART NO. (MUJ)	POS. NO	VERS. COLOR	PART NO. (FOR PCS)	DESCRIPTION	PART NO. (MUJ)
Q354		4822 130 60839	TRS.2SC2458 Y OR GR	HT324582B0				P164-CAPACITORS(COMMON) PLASTIC FILM CAPACITOR ±5% 50V : C159 C160 C259 C260 C359 C360	
Q355		4822 130 43233	TRS.2SC2240 GR OR BL	HT322402A0					
Q356		4822 130 42949	TRS.2SA970 (GR) OR (BL)	HT109702A0					
Q357		4822 130 42949	TRS.2SA970 (GR) OR (BL)	HT109702A0					
Q358		4822 130 43233	TRS.2SC2240 GR OR BL	HT322402A0					
Q359		4822 130 42999	TRS.2SA1145 O OR Y TAPING	HT111452A0					
Q360		4822 130 43283	TRS.2SC2705 O OR Y TAPING	HT327052A0					
Q361		4822 130 60117	TRS.C3419 Y 40V 0.8A PC=1.2W (5W)	HT334191Y0					
Q362		4822 130 63312	TRS.2SC4883 O OR Y	HT348832A0					
Q363		4822 130 63308	TRS.2SA1859 O OR Y	HT118592A0					
▲ Q364		4822 130 60354	TRS.C3421 OY 120V 1A PC1.5W(10W)	HT334212A0	R188		4822 053 10109	10Ω ±5% 1W	GA05100010
▲ Q365		4822 130 60353	TRS.A1358 OY 120V 1A PC1.5W(10W)	HT113582A0	R288		4822 053 10109	10Ω ±5% 1W	GA05100010
▲ Q366		4822 130 10962	TRS.C3856 OPY 15A 130W LF119	HT338563A0	R388		4822 053 10109	10Ω ±5% 1W	GA05100010
▲ Q367		4822 130 10963	TRS.A1492 OPY 15A 130W LF119	HT114923A0	RN36		4822 116 83929	220Ω ±5% 1/4W	GG05221140
Q368		4822 130 43233	TRS.2SC2240 GR OR BL	HT322402A0	RN38		4822 116 83929	220Ω ±5% 1/4W	GG05221140
Q501		4822 209 83637	IC,NJM2901 QUAD COMPARATOR	HC10009090	RN39		4822 116 83929	220Ω ±5% 1/4W	GG05221140
Q502		4822 209 83637	IC,NJM2901 QUAD COMPARATOR	HC10009090					
QN01		4822 209 83312	IC,TA7317P	HC10042050				P164- RESISTORS(COMMON) CARBON FILM FIXED RES. ±5% 1/6W : RN33 RN34	
QN02		4822 130 60839	TRS.2SC2458 Y OR GR	HT324582B0					
QN03		4822 130 60839	TRS.2SC2458 Y OR GR	HT324582B0					
QN09		4822 130 42949	TRS.2SA970 (GR) OR (BL)	HT109702A0					
QN11		4822 130 60588	DIG.TRS.DTC114ES/UN4211 10K,10K	BA20001000	DN06		4822 130 82421	DIODE,1D3 1A/200V	HD20002710
QN61		4822 209 83637	IC,NJM2901 QUAD COMPARATOR	HC10009090	DN08		4822 130 82421	DIODE,1D3 1A/200V	HD20002710
QN62		4822 130 60588	DIG.TRS.DTC114ES/UN4211 10K,10K	BA20001000	DN09		4822 130 82421	DIODE,1D3 1A/200V	HD20002710
QN63		4822 130 60588	DIG.TRS.DTC114ES/UN4211 10K,10K	BA20001000	QN07		4822 130 60839	TRS.2SC2458 Y OR GR	HT324582B0
QN64		4822 130 60117	TRS.C3419 Y 40V 0.8A PC=1.2W (5W)	HT334191Y0					
K151		4822 130 60795	TRS.KIT,A1358,C3421 O OR A1358,C3421 Y	HK135819C0				P164- SEMICONDUCTORS DIODE,1D3 1A/200V	HD20002710
K152		4822 130 10964	TRS.KIT,2SA1492/2SC3856 OPY LF119	HK149219A0	J199		9965 000 12663	TERMINAL, SPKROUT CENTER SL SR	YT01060030
K153		4822 130 10965	TRS.KIT,2SA1859/C4883 O/O OR Y/Y PAIR	HK185919C0	J299		9965 000 12664	TERMINAL, SPKROUT ML MR	YT01040880
K251		4822 130 60795	TRS.KIT,A1358,C3421 O OR A1358,C3421 Y	HK135819C0	▲ LN02		4822 280 70354	RELAY, VB 24MBU-510 5A/240VAC	LY20240310
K252		4822 130 10964	TRS.KIT,2SA1492/2SC3856 OPY LF119	HK149219A0	▲ LN04		4822 280 70354	RELAY, VB 24MBU-510 5A/240VAC	LY20240310
K253		4822 130 10965	TRS.KIT,2SA1859/C4883 O/O OR Y/Y PAIR	HK185919C0	▲ LN05		4822 280 70354	RELAY, VB 24MBU-510 5A/240VAC	LY20240310
K351		4822 130 60795	TRS.KIT,A1358,C3421 O OR A1358,C3421 Y	HK135819C0					
K352		4822 130 10964	TRS.KIT,2SA1492/2SC3856 OPY LF119	HK149219A0					
K353		4822 130 10965	TRS.KIT,2SA1859/C4883 O/O OR Y/Y PAIR	HK185919C0					
CN13		4822 126 10364	CER.100pF UP050B101K-A	DA16101110				P164- MISCELLANEOUS TERMINAL, SPKROUT CENTER SL SR	YT01060030
CN98	/N/S	4822 122 40617	CER.50V DC 0.1μF +80-20%	DD38104010				P164- MISCELLANEOUS TERMINAL, SPKROUT ML MR	YT01040880
CN99	/N/S	4822 122 40617	CER.50V DC 0.1μF +80-20%	DD38104010				RELAY, VB 24MBU-510 5A/240VAC	LY20240310
								P164- MISCELLANEOUS RELAY, VB 24MBU-510 5A/240VAC	LY20240310
								P604- DSP AND μ-COM CIRCUIT BOARD	
								P604- CAPACITORS	
					C610		4822 126 11687	CER.CHIP,0.1μF GRM39F104Z16	DK98104200
					C611		4822 124 41539	ELECT.47μF ±20% 16V RA-2	OA47601620
					C612		4822 126 11687	CER.CHIP,0.1μF GRM39F104Z16	DK98104200
					C613		4822 124 41539	ELECT.47μF ±20% 16V RA-2	OA47601620
					C614		4822 126 11687	CER.CHIP,0.1μF GRM39F104Z16	DK98104200
					C615		4822 124 41539	ELECT.47μF ±20% 16V RA-2	OA47601620
					C616		4822 126 11568	CER.CHIP,470pF (GR39)	DK96471300
					C617		4822 126 11703	CER.CHIP,0.01μF	DK98103300
					C618		4822 124 90357	ELECT.2.2μF ±20% 50V RA-2	OA22505020
					C619		4822 126 11687	CER.CHIP,0.1μF GRM39F104Z16	DK98104200
					C620		4822 124 41539	ELECT.47μF ±20% 16V RA-2	OA47601620
					C621		4822 126 11687	CER.CHIP,0.1μF GRM39F104Z16	DK98104200
					C622		4822 126 11687	CER.CHIP,0.1μF GRM39F104Z16	DK98104200
					C640		4822 126 11687	CER.CHIP,0.1μF GRM39F104Z16	DK98104200
					C641		4822 124 41539	ELECT.47μF ±20% 16V RA-2	OA47601620
					C642		4822 126 11687	CER.CHIP,0.1μF GRM39F104Z16	DK98104200
					C643		4822 124 41539	ELECT.47μF ±20% 16V RA-2	OA47601620
					C644		4822 126 11687	CER.CHIP,0.1μF GRM39F104Z16	DK98104200
					C645		4822 124 41539	ELECT.47μF ±20% 16V RA-2	OA47601620
					C646		4822 126 11568	CER.CHIP,470pF (GR39)	DK96471300
					C647		4822 126 11703	CER.CHIP,0.01μF	DK98103300
					C648		4822 124 90357	ELECT.2.2μF ±20% 50V RA-2	OA22505020

NOTE : *nsp* PART IS LISTED FOR REFERENCE ONLY, MARANTZ WILL NOT SUPPLY THESE PARTS.

SR8200

POS. NO	VERS. COLOR	PART NO. (FOR PCS)	DESCRIPTION	PART NO. (MUJ)
C649		4822 126 11687	CER.CHIP,0.1μF GRM39F104Z16	DK98104200
C650		4822 124 41539	ELECT.47μF ±20% 16V RA-2	OA47601620
C651		4822 126 11687	CER.CHIP,0.1μF GRM39F104Z16	DK98104200
C652		4822 126 11687	CER.CHIP,0.1μF GRM39F104Z16	DK98104200
C670		4822 126 11687	CER.CHIP,0.1μF GRM39F104Z16	DK98104200
C671		4822 124 41539	ELECT.47μF ±20% 16V RA-2	OA47601620
C672		4822 126 11687	CER.CHIP,0.1μF GRM39F104Z16	DK98104200
C673		4822 124 41539	ELECT.47μF ±20% 16V RA-2	OA47601620
C674		4822 126 11687	CER.CHIP,0.1μF GRM39F104Z16	DK98104200
C675		4822 124 41539	ELECT.47μF ±20% 16V RA-2	OA47601620
C676	}	4822 126 11687	CER.CHIP,0.1μF GRM39F104Z16	DK98104200
C685				
C691		4822 124 41539	ELECT.47μF ±20% 16V RA-2	OA47601620
C692		4822 126 11687	CER.CHIP,0.1μF GRM39F104Z16	DK98104200
C693		4822 124 41539	ELECT.47μF ±20% 16V RA-2	OA47601620
CR30		4822 122 33785	CER.CHIP,68pF (GR39)	DD95680300
CR31		4822 126 11687	CER.CHIP,0.1μF GRM39F104Z16	DK98104200
CR32		4822 126 11687	CER.CHIP,0.1μF GRM39F104Z16	DK98104200
CR33		4822 126 11568	CER.CHIP,470pF (GR39)	DK96471300
CR34		4822 126 11687	CER.CHIP,0.1μF GRM39F104Z16	DK98104200
CR35		4822 126 11687	CER.CHIP,0.1μF GRM39F104Z16	DK98104200
CR36		4822 124 41539	ELECT.47μF ±20% 16V RA-2	OA47601620
CR44		4822 126 11687	CER.CHIP,0.1μF GRM39F104Z16	DK98104200
CR50		4822 126 11687	CER.CHIP,0.1μF GRM39F104Z16	DK98104200
CR51		4822 126 11703	CER.CHIP,0.01μF	DK98103300
CR52		4822 126 11703	CER.CHIP,0.01μF	DK98103300
CR53		4822 126 11687	CER.CHIP,0.1μF GRM39F104Z16	DK98104200
CR54		4822 126 11687	CER.CHIP,0.1μF GRM39F104Z16	DK98104200
CR55		4822 124 41539	ELECT.47μF ±20% 16V RA-2	OA47601620
CR56		4822 126 11687	CER.CHIP,0.1μF GRM39F104Z16	DK98104200
CR57		4822 124 41539	ELECT.47μF ±20% 16V RA-2	OA47601620
CR58		4822 122 33761	CER.CHIP,22pF ±5% CG 50V GR39	DD95220300
CR59		4822 122 33761	CER.CHIP,22pF ±5% CG 50V GR39	DD95220300
CR60		4822 126 11687	CER.CHIP,0.1μF GRM39F104Z16	DK98104200
CR61		4822 124 41539	ELECT.47μF ±20% 16V RA-2	OA47601620
CR62		4822 126 11687	CER.CHIP,0.1μF GRM39F104Z16	DK98104200
CR63		4822 124 41539	ELECT.47μF ±20% 16V RA-2	OA47601620
CR64		4822 126 11687	CER.CHIP,0.1μF GRM39F104Z16	DK98104200
CR70		4822 126 11687	CER.CHIP,0.1μF GRM39F104Z16	DK98104200
CU01		4822 126 11687	CER.CHIP,0.1μF GRM39F104Z16	DK98104200
CU02		4822 124 41539	ELECT.47μF ±20% 16V RA-2	OA47601620
CU03		4822 126 11687	CER.CHIP,0.1μF GRM39F104Z16	DK98104200
CU04		4822 124 41539	ELECT.47μF ±20% 16V RA-2	OA47601620
CU05		4822 126 11687	CER.CHIP,0.1μF GRM39F104Z16	DK98104200
CU06		4822 126 11687	CER.CHIP,0.1μF GRM39F104Z16	DK98104200
CU07		4822 124 41539	ELECT.47μF ±20% 16V RA-2	OA47601620
CU08		4822 126 11687	CER.CHIP,0.1μF GRM39F104Z16	DK98104200
CU09		4822 126 11568	CER.CHIP,470pF (GR39)	DK96471300
CU12		4822 126 11687	CER.CHIP,0.1μF GRM39F104Z16	DK98104200
CU13		4822 126 11687	CER.CHIP,0.1μF GRM39F104Z16	DK98104200
CU14		4822 126 11687	CER.CHIP,0.1μF GRM39F104Z16	DK98104200
CU15		4822 124 41539	ELECT.47μF ±20% 16V RA-2	OA47601620
CU16		4822 126 11687	CER.CHIP,0.1μF GRM39F104Z16	DK98104200
CU17		4822 124 90352	ELECT.10μF ±20% 16V RA-2	OA10601620
CU18		4822 124 41539	ELECT.47μF ±20% 16V RA-2	OA47601620
CU19		4822 124 41539	ELECT.47μF ±20% 16V RA-2	OA47601620
CU20		4822 126 11687	CER.CHIP,0.1μF GRM39F104Z16	DK98104200
CU21		4822 126 11687	CER.CHIP,0.1μF GRM39F104Z16	DK98104200
CU25		5322 126 11578	CER.CHIP,1000pF ±10% B 50V GR36	DK96102300
CU26		4822 126 11687	CER.CHIP,0.1μF GRM39F104Z16	DK98104200

POS. NO	VERS. COLOR	PART NO. (FOR PCS)	DESCRIPTION	PART NO. (MUJ)
CU27		4822 126 11687	CER.CHIP,0.1μF GRM39F104Z16	DK98104200
CU31		4822 126 11687	CER.CHIP,0.1μF GRM39F104Z16	DK98104200
CU32		4822 124 41539	ELECT.47μF ±20% 16V RA-2	OA47601620
CU33		4822 126 11687	CER.CHIP,0.1μF GRM39F104Z16	DK98104200
CU34		4822 124 41539	ELECT.47μF ±20% 16V RA-2	OA47601620
CU35		4822 126 11687	CER.CHIP,0.1μF GRM39F104Z16	DK98104200
CU36		4822 124 41539	ELECT.47μF ±20% 16V RA-2	OA47601620
CU37		4822 126 11687	CER.CHIP,0.1μF GRM39F104Z16	DK98104200
CU38		4822 124 41539	ELECT.47μF ±20% 16V RA-2	OA47601620
CU39		4822 126 11687	CER.CHIP,0.1μF GRM39F104Z16	DK98104200
CU40		4822 124 22698	ELECT.47μF ±20% 25V RA-2	OA47602520
CU41		4822 126 11687	CER.CHIP,0.1μF GRM39F104Z16	DK98104200
CU42		4822 124 41539	ELECT.47μF ±20% 16V RA-2	OA47601620
CU43		4822 126 11687	CER.CHIP,0.1μF GRM39F104Z16	DK98104200
CU44		4822 126 11687	CER.CHIP,0.1μF GRM39F104Z16	DK98104200
CU45		4822 124 41539	ELECT.47μF ±20% 16V RA-2	OA47601620
CU46		4822 126 11687	CER.CHIP,0.1μF GRM39F104Z16	DK98104200
CU47		4822 124 41539	ELECT.47μF ±20% 16V RA-2	OA47601620
CU50		4822 126 11687	CER.CHIP,0.1μF GRM39F104Z16	DK98104200
CU51		4822 124 41539	ELECT.47μF ±20% 16V RA-2	OA47601620
CU52	}	4822 126 11687	CER.CHIP,0.1μF GRM39F104Z16	DK98104200
CU60				
CU61		4822 116 82487	CHIP,0Ω ±5% 1/16W	NN05000610
CU62		4822 126 11687	CER.CHIP,0.1μF GRM39F104Z16	DK98104200
CU63		4822 126 11687	CER.CHIP,0.1μF GRM39F104Z16	DK98104200
CU64		4822 116 82487	CHIP,0Ω ±5% 1/16W	NN05000610
CU70		4822 126 11687	CER.CHIP,0.1μF GRM39F104Z16	DK98104200
CU71		4822 126 11687	CER.CHIP,0.1μF GRM39F104Z16	DK98104200
CU80		4822 126 11687	CER.CHIP,0.1μF GRM39F104Z16	DK98104200
CU81		4822 126 11687	CER.CHIP,0.1μF GRM39F104Z16	DK98104200
			P604- RESISTORS	
R601	}	4822 051 30222	CHIP,2.2kΩ ±5% 1/16W	NN05222610
R607				
R610		4822 051 30279	CHIP,27Ω ±5% 1/16W	NN05270610
R611		4822 051 30472	CHIP,4.7kΩ ±5% 1/16W	NN05472610
R614	}	4822 051 30472	CHIP,4.7kΩ ±5% 1/16W	NN05472610
R623				
R624		4822 051 30223	CHIP,22kΩ ±5% 1/16W	NN05223610
R626		4822 051 30103	CHIP,10kΩ ±5% 1/16W	NN05103610
R629		4822 051 30223	CHIP,22kΩ ±5% 1/16W	NN05223610
R630		4822 051 30333	CHIP,33kΩ ±5% 1/16W	NN05333610
R631		4822 051 30223	CHIP,22kΩ ±5% 1/16W	NN05223610
R632		4822 051 30472	CHIP,4.7kΩ ±5% 1/16W	NN05472610
R633		4822 051 30472	CHIP,4.7kΩ ±5% 1/16W	NN05472610
R636		4822 051 30279	CHIP,27Ω ±5% 1/16W	NN05270610
R637		4822 051 30109	CHIP,10Ω ±5% 1/16W	NN05100610
R638		4822 051 30279	CHIP,27Ω ±5% 1/16W	NN05270610
R640		4822 051 30279	CHIP,27Ω ±5% 1/16W	NN05270610
R641		4822 051 30472	CHIP,4.7kΩ ±5% 1/16W	NN05472610
R644	}	4822 051 30472	CHIP,4.7kΩ ±5% 1/16W	NN05472610
R653				
R654		4822 051 30223	CHIP,22kΩ ±5% 1/16W	NN05223610
R656		4822 051 30103	CHIP,10kΩ ±5% 1/16W	NN05103610
R657		4822 051 30223	CHIP,22kΩ ±5% 1/16W	NN05223610
R658		4822 051 30333	CHIP,33kΩ ±5% 1/16W	NN05333610
R659		4822 051 30223	CHIP,22kΩ ±5% 1/16W	NN05223610
R660		4822 051 30472	CHIP,4.7kΩ ±5% 1/16W	NN05472610
R661		4822 051 30472	CHIP,4.7kΩ ±5% 1/16W	NN05472610

NOTE : *nsp* PART IS LISTED FOR REFERENCE ONLY, MARANTZ WILL NOT SUPPLY THESE PARTS.

SR8200

POS. NO	VERS. COLOR	PART NO. (FOR PCS)	DESCRIPTION	PART NO. (MUJ)	POS. NO	VERS. COLOR	PART NO. (FOR PCS)	DESCRIPTION	PART NO. (MUJ)
R662		4822 051 30279	CHIP,27Ω ±5% 1/16W	NN05270610	RU15		4822 051 30473	CHIP,47kΩ ±5% 1/16W	NN05473610
R663		4822 051 30279	CHIP,27Ω ±5% 1/16W	NN05270610	RU17		4822 051 30472	CHIP,4.7kΩ ±5% 1/16W	NN05472610
R664		4822 051 30279	CHIP,27Ω ±5% 1/16W	NN05270610	RU20		4822 051 30123	CHIP,12kΩ ±5% 1/16W	NN05123610
R665		4822 051 30479	CHIP,47Ω ±5% 1/16W	NN05470610	RU21		4822 051 30123	CHIP,12kΩ ±5% 1/16W	NN05123610
R666		4822 051 30479	CHIP,47Ω ±5% 1/16W	NN05470610	RU22		4822 051 30102	CHIP,1kΩ ±5% 1/16W	NN05102610
R671					RU24		4822 117 13632	CHIP,100kΩ ±5% 1/16W	NN05104610
∫		4822 051 30223	CHIP,22kΩ ±5% 1/16W	NN05223610	RU25				
R679					∫		4822 051 30472	CHIP,4.7kΩ ±5% 1/16W	NN05472610
R681		4822 051 30339	CHIP,33Ω ±5% 1/16W	NN05330610	RU28				
R682		4822 051 30279	CHIP,27Ω ±5% 1/16W	NN05270610	RU29		4822 051 30105	CHIP,1MΩ ±5% 1/16W	NN05105610
R683		4822 051 30279	CHIP,27Ω ±5% 1/16W	NN05270610	RU31		4822 051 30223	CHIP,22kΩ ±5% 1/16W	NN05223610
R684		4822 051 30109	CHIP,10Ω ±5% 1/16W	NN05100610	RU32		4822 051 30223	CHIP,22kΩ ±5% 1/16W	NN05223610
R685		4822 051 30279	CHIP,27Ω ±5% 1/16W	NN05270610	RU37		4822 051 30223	CHIP,22kΩ ±5% 1/16W	NN05223610
R686		4822 051 30279	CHIP,27Ω ±5% 1/16W	NN05270610	RU38		4822 051 30101	CHIP,100Ω ±5% 1/16W	NN05101610
R687		4822 051 30279	CHIP,27Ω ±5% 1/16W	NN05270610	RU39		4822 051 30223	CHIP,22kΩ ±5% 1/16W	NN05223610
R688		4822 051 30103	CHIP,10kΩ ±5% 1/16W	NN05103610	RU41		4822 116 83207	CHIP,1.2kΩ ±5% 1/16W	NN05122610
R689		4822 051 30103	CHIP,10kΩ ±5% 1/16W	NN05103610	RU42		4822 051 30391	CHIP,390Ω ±5% 1/16W	NN05391610
R691		4822 051 30223	CHIP,22kΩ ±5% 1/16W	NN05223610	RU43		4822 116 83207	CHIP,1.2kΩ ±5% 1/16W	NN05122610
R692		4822 051 30223	CHIP,22kΩ ±5% 1/16W	NN05223610	RU44		4822 051 30222	CHIP,2.2kΩ ±5% 1/16W	NN05222610
R693		4822 051 30223	CHIP,22kΩ ±5% 1/16W	NN05223610	RU50		4822 051 30472	CHIP,4.7kΩ ±5% 1/16W	NN05472610
R695		4822 116 82487	CHIP,0Ω ±5% 1/16W	NN05000610	RU51		4822 051 30472	CHIP,4.7kΩ ±5% 1/16W	NN05472610
RR30		4822 051 30759	CHIP,75Ω ±5% 1/16W	NN05750610	RU56		4822 051 30223	CHIP,22kΩ ±5% 1/16W	NN05223610
RR31		4822 051 30279	CHIP,27Ω ±5% 1/16W	NN05270610	RU57		4822 051 30223	CHIP,22kΩ ±5% 1/16W	NN05223610
RR32		4822 051 30223	CHIP,22kΩ ±5% 1/16W	NN05223610	RU58		4822 051 30472	CHIP,4.7kΩ ±5% 1/16W	NN05472610
RR33		4822 051 30223	CHIP,22kΩ ±5% 1/16W	NN05223610	RU60		4822 051 30479	CHIP,47Ω ±5% 1/16W	NN05470610
RR50		4822 051 30822	CHIP,8.2kΩ ±5% 1/16W	NN05822610	RU61		4822 051 30221	CHIP,220Ω ±5% 1/16W	NN05221610
RR51		9965 000 06300	CHIP,5.1kΩ ±5% 1/16W	NN0551261R	RU62		4822 051 30479	CHIP,47Ω ±5% 1/16W	NN05470610
RR52		9965 000 06300	CHIP,5.1kΩ ±5% 1/16W	NN0551261R	RU63		4822 116 83819	CHIP,18kΩ ±5% 1/16W	NN05183610
RR53		4822 051 30759	CHIP,75Ω ±5% 1/16W	NN05750610	RU64		4822 051 30221	CHIP,220Ω ±5% 1/16W	NN05221610
RR54		4822 051 30339	CHIP,33Ω ±5% 1/16W	NN05330610	RU65		4822 051 30473	CHIP,47kΩ ±5% 1/16W	NN05473610
RR55		4822 117 12139	CHIP,22Ω ±5% 1/16W	NN05220610	RU66		4822 051 30473	CHIP,47kΩ ±5% 1/16W	NN05473610
RR56		4822 117 12139	CHIP,22Ω ±5% 1/16W	NN05220610	RU67		4822 051 30221	CHIP,220Ω ±5% 1/16W	NN05221610
RR57		4822 117 12139	CHIP,22Ω ±5% 1/16W	NN05220610	RU70		4822 051 30223	CHIP,22kΩ ±5% 1/16W	NN05223610
RR58		4822 051 30339	CHIP,33Ω ±5% 1/16W	NN05330610	RU71		4822 051 30223	CHIP,22kΩ ±5% 1/16W	NN05223610
RR59		4822 051 30105	CHIP,1MΩ ±5% 1/16W	NN05105610	RU72				
RR60		4822 051 30222	CHIP,2.2kΩ ±5% 1/16W	NN05222610	∫		4822 116 82487	CHIP,0Ω ±5% 1/16W	NN05000610
RR61		4822 051 30223	CHIP,22kΩ ±5% 1/16W	NN05223610	RU78				
RR63		4822 051 30223	CHIP,22kΩ ±5% 1/16W	NN05223610	RU80		4822 050 26809	68Ω ±5% 1/4W	GG05680140
RR65		4822 051 30223	CHIP,22kΩ ±5% 1/16W	NN05223610	RU81		4822 051 30103	CHIP,10kΩ ±5% 1/16W	NN05103610
RR66		4822 051 30103	CHIP,10kΩ ±5% 1/16W	NN05103610	RU82		4822 051 30223	CHIP,22kΩ ±5% 1/16W	NN05223610
RR72		4822 117 12139	CHIP,22Ω ±5% 1/16W	NN05220610	RU83		4822 051 30682	CHIP,6.8kΩ ±5% 1/16W	NN05682610
RR73		4822 051 30339	CHIP,33Ω ±5% 1/16W	NN05330610	RU84		4822 116 83963	2.2Ω ±5% 1/4W	GG05022140
RR74		4822 117 12139	CHIP,22Ω ±5% 1/16W	NN05220610	RU85		4822 051 30223	CHIP,22kΩ ±5% 1/16W	NN05223610
RR75		4822 051 30109	CHIP,10Ω ±5% 1/16W	NN05100610	RU87		4822 050 26809	68Ω ±5% 1/4W	GG05680140
RR76		4822 117 12139	CHIP,22Ω ±5% 1/16W	NN05220610	RU88		4822 051 30103	CHIP,10kΩ ±5% 1/16W	NN05103610
RR77		4822 051 30339	CHIP,33Ω ±5% 1/16W	NN05330610	RU89		4822 051 30223	CHIP,22kΩ ±5% 1/16W	NN05223610
RU01		4822 051 30123	CHIP,12kΩ ±5% 1/16W	NN05123610	RU90		4822 051 30682	CHIP,6.8kΩ ±5% 1/16W	NN05682610
RU02		4822 051 30123	CHIP,12kΩ ±5% 1/16W	NN05123610	RU91		4822 116 83963	2.2Ω ±5% 1/4W	GG05022140
RU03		4822 051 30123	CHIP,12kΩ ±5% 1/16W	NN05123610	RU92		4822 051 30223	CHIP,22kΩ ±5% 1/16W	NN05223610
RU04		4822 051 30222	CHIP,2.2kΩ ±5% 1/16W	NN05222610	RU94		4822 116 83963	2.2Ω ±5% 1/4W	GG05022140
RU05		4822 051 30222	CHIP,2.2kΩ ±5% 1/16W	NN05222610	RU95		4822 051 30221	CHIP,220Ω ±5% 1/16W	NN05221610
RU06		4822 051 30101	CHIP,100Ω ±5% 1/16W	NN05101610					
RU07		4822 051 30302	CHIP,3kΩ ±5% 1/16W	NN05302610					
RU08		4822 116 82487	CHIP,0Ω ±5% 1/16W	NN05000610					
RU09		4822 116 83211	CHIP,1.8kΩ ±5% 1/16W	NN05182610	DU01		4822 130 83715	CHIP DIODE,1SS301	HZ20028050
RU10		4822 051 30102	CHIP,1kΩ ±5% 1/16W	NN05102610	DU80		4822 130 83715	CHIP DIODE,1SS301	HZ20028050
RU11	/N	4822 051 30472	CHIP,4.7kΩ ±5% 1/16W	NN05472610	DU81		4822 130 83715	CHIP DIODE,1SS301	HZ20028050
RU11	/S				Q600		9965 000 12652	CHIP FET (2SK),HN1K05FU 2SK2824 X 2	HY22010050
RU12	/N	4822 117 11817	CHIP,1.2kΩ ±5% 1/16W	NN05122610	Q601		9965 000 12652	CHIP FET (2SK),HN1K05FU 2SK2824 X 2	HY22010050
RU12	/S				Q610		9965 000 12653	IC,CS493292 AUDIO DSP CRYSTAL	HC10009880
RU12	/U				Q611		9965 000 04635	IC,TC74VHCT245AFT	HC009805K0
RU13		4822 051 30123	CHIP,12kΩ ±5% 1/16W	NN05123610					
RU14		4822 051 30123	CHIP,12kΩ ±5% 1/16W	NN05123610					

NOTE : *nsp* PART IS LISTED FOR REFERENCE ONLY, MARANTZ WILL NOT SUPPLY THESE PARTS.

SR8200

POS. NO	VERS. COLOR	PART NO. (FOR PCS)	DESCRIPTION	PART NO. (MUJ)	POS. NO	VERS. COLOR	PART NO. (FOR PCS)	DESCRIPTION	PART NO. (MUJ)
Q640		9965 000 12653	IC,CS493292 AUDIO DSP CRYSTAL	HC10009880	JR30		4822 265 10328	P604- MISCELLANEOUS TERMINAL, 14X14 RA 1L1P BLK NI FLM-GND	YT02010780
Q641		9965 000 04635	IC,TC74VHCT245AFT	HC009805K0	JR31		9965 000 12657	OPT.CONNNECTOR, JFJ300 OPT OUTPUT	YJ15000210
Q671		9965 000 12654	IC,4M FLASH FPT-48P-M19	HC60021000	JU50		9965 000 12342	JACK,DELC-J9PAF-20L9	YJ90001220
Q673		9965 000 12655	IC,TC74VHCT244AFT	HC009705K0	JU61		4822 267 41009	TERMINAL, 2P CINCH PINJACK	YT02020890
Q674		9965 000 04636	IC,TC74VHC574FT	HC009605K0	JU62		9965 000 12343	TERMINAL, CINCH PIN JACK GRN-GRN	YT02021740
Q675		9965 000 04636	IC,TC74VHC574FT	HC009605K0	JU80		9965 000 12344	JACK, 3.5MM MINI JACK LGA6502-0150	YJ01004750
Q676		9965 000 04635	IC,TC74VHCT245AFT	HC009805K0	JU82		9965 000 03411	JACK, 3.5 MINI JACK LGY6501-0600	YJ01004670
Q680		9965 000 11670	IC,TC74VHCT541AFT	HC008805K0	L691		4822 242 73843	EMI FILTER,DSS306-91-F-223Z	FM12223010
Q681		9965 000 04639	IC,TC74VHC08FT TAPING	HC008205K0	LR30		4822 142 60422	PULSE TRANSF (TPS247MN-0386AN)	TP41042030
Q682		9965 000 12656	IC,TC74VHC32FT	HC009505K0	LU01				
Q683		9965 000 04632	IC,TC74VHC00FS	HC005105K0			9965 000 05005	FERRITE CORE, BK1608HM102-T BEADS	FC90020120
Q684		9965 000 12656	IC,TC74VHC32FT	HC009505K0	LU54				
Q685		9965 000 12646	IC,TC74VHC125FT	HC009405K0	LU71				
QR44		9965 000 04639	IC,TC74VHC08FT TAPING	HC008205K0			9965 000 05005	FERRITE CORE,BK1608HM102-T BEADS	FC90020120
QR50		9965 000 06294	IC.LC89055 (SPDIF RECORDER)	HC10405030					
QR70		9965 000 11670	IC,TC74VHCT541AFT	HC008805K0					
QU01		9965 000 12345	IC.H8S/2633 FP-128	HC60022010					
QU02		9965 000 11677	IC,PST600D-2 RESET IC TAPING	HC10098550					
QU03		4822 111 92183	DIG.TRS.RN2303 (PNPX1(22K+22K))	BA10013050					
QU05		4822 130 61553	DIG.TRS.DTC124EU,RN1303 UMT TYPE	BA21303000					
QU20		9965 000 04632	IC,TC74VHC00FS	HC005105K0			4822 242 73843	EMI FILTER,DSS306-91-F-223Z	FM12223010
QU21		9965 000 12646	IC,TC74VHC125FT	HC009405K0					
▲ QU41		9965 000 01771	IC,PQ30RV11	HC36930320			9965 000 05005	FERRITE CORE, BK1608HM102-T BEADS	FC90020120
QU42		4822 130 61553	DIG.TRS.DTC124EU,RN1303 UMT TYPE	BA21303000			9965 000 12347	PUSH SW.(SPUJ191000) W/KNOB	SP02022320
QU43		9965 000 09110	TRS.2SA950 (GR,R)	HT109501A0			4822 242 10851	CRYSTAL, 12.288MHZ (AT-49)	JX12013260
QU50		9965 000 12346	IC,HIN202ECB 16LEAD WIDE BODY	HC10204990			9965 000 12348	SERAMIC VIB.CSTLS 5.0MHZ	FQ05004050
QU60		4822 130 61553	DIG.TRS.DTC124EU,RN1303 UMT TYPE	BA21303000					
QU61		4822 111 92183	DIG.TRS.RN2303 (PNPX1(22K+22K))	BA10013050					
QU62		4822 130 61553	DIG.TRS.DTC124EU,RN1303 UMT TYPE	BA21303000					
QU63		4822 111 92183	DIG.TRS.RN2303 (PNPX1(22K+22K))	BA10013050					
QU65		4822 111 92183	DIG.TRS.RN2303 (PNPX1(22K+22K))	BA10013050					
QU66		4822 130 61553	DIG.TRS.DTC124EU,RN1303 UMT TYPE	BA21303000					
QU67		4822 111 92183	DIG.TRS.RN2303 (PNPX1(22K+22K))	BA10013050					
QU68		4822 111 92183	DIG.TRS.RN2303 (PNPX1(22K+22K))	BA10013050					
▲ QU69		4822 130 90347	PHOTO CUPLER,PC-817 1PAIR	HW10006320					
QU70		9965 000 12647	IC,ATMEL AT24C08 8PIN SOIC	HC10191990					
QU71		5322 209 11578	IC,PCF8574(I/O EXPANDER)	HC10068490					
QU80		4822 130 42949	TRS.2SA970 (GR) OR (BL)	HT109702A0					
QU81		4822 130 61553	DIG.TRS.DTC124EU,RN1303 UMT TYPE	BA21303000					
QU82		4822 111 92183	DIG.TRS.RN2303 (PNPX1(22K+22K))	BA10013050					
QU83		4822 130 42949	TRS.2SA970 (GR) OR (BL)	HT109702A0					
QU84		4822 130 61553	DIG.TRS.DTC124EU,RN1303 UMT TYPE	BA21303000					
QU85		4822 111 92183	DIG.TRS.RN2303 (PNPX1(22K+22K))	BA10013050					
QU86		4822 130 61553	DIG.TRS.DTC124EU,RN1303 UMT TYPE	BA21303000					
								P814- BACKUP TRANSF, AC OUTLET CIRCUIT BOARD	
								P814- CAPACITORS	
					▲ C802		9965 000 06706	CER.DE1607-1F 103M-KH	DK17103910
					C805		4822 124 90351	ELECT.0.1µF ±20% 50V RA-2	OA10405020
					C811		4822 124 23649	ELECT.470µF 25V ±20% RA-2	OA47702520
					C812		4822 124 22698	ELECT.47µF ±20% 25V RA-2	OA47602520
					C813		4822 124 80582	ELECT.4700µF 16V RA2	OA47801620
					C814		4822 122 40617	CER.50V DC 0.1µF +80-20%	DD38104010
					C815		4822 122 40617	CER.50V DC 0.1µF +80-20%	DD38104010
					C816		4822 122 40617	CER.50V DC 0.1µF +80-20%	DD38104010
					C817		4822 124 90354	ELECT.100µF ±20% 16V RA-2	OA10701620
								P814- RESISTORS	
					R807		4822 117 10158	1Ω ±5% 1/4W	GG05010140
					R811		4822 052 10471	470Ω ±5% 1/6W	GG05471160
					▲ R899	/U		2.2MΩ ±10% 1/2W FOR UL	RC10225820
					R***				
								P814- RESISTORS(COMMON)	
								CARBON FILM FIXED RES. ±5% 1/6W : R805 R806 R812 R813	
								P814- SEMICONDUCTORS	
					D802		4822 130 82421	DIODE,1D3 1A/200V	HD20002710
					D804		4822 130 32362	DIODE,1SS176,MA165,1SS254 30V 0.1A	HD20002000
					▲ D811				
					▲		4822 130 82421	DIODE,1D3 1A/200V	HD20002710
					▲ D816				

NOTE : *nsp* PART IS LISTED FOR REFERENCE ONLY, MARANTZ WILL NOT SUPPLY THESE PARTS.

SR8200

POS. NO	VERS. COLOR	PART NO. (FOR PCS)	DESCRIPTION	PART NO. (MUJ)	POS. NO	VERS. COLOR	PART NO. (FOR PCS)	DESCRIPTION	PART NO. (MUJ)
D817 Q802 Q803		4822 130 80317 4822 130 60107 4822 130 60588	ZENER,5.1V EQUIVALENT TRS.2SA1048 Y OR GR DIG.TRS.DTC114ES/UN4211 10K,10K	HD30511000 HT110482B0 BA20001000	C***			HIGH DIELECTRIC CONSTANT CER.CAPACITOR ±10% 50V : C513	
▲ Q811 Q812		4822 209 61847 9965 000 11677	IC,NJM78M05FA IC,PST600D-2 RESET IC TAPING	HC38505090 HC10098550	R538 R539 R831 R832 R833 R834 R835 RN24	4822 052 10331 4822 052 10331 4822 050 21021 4822 050 21021 4822 050 21108 4822 117 10158 4822 052 10101 4822 117 10158	330Ω ±5% 1/4W 330Ω ±5% 1/4W 100Ω ±5% 1/4W 100Ω ±5% 1/4W 1Ω ±5% 1/2W 1Ω ±5% 1/4W 100Ω ±5% 1/6W 1Ω ±5% 1/4W	GG05331140 GG05331140 GG05101140 GG05101140 GG05010120 GG05010140 GG05101160 GG05010140	
▲ F801 ▲ F801 ▲ F801	/N /S /U	4822 070 35002	P814- MISCELLANEOUS FUSE,5A 250V BS LI STED FUSE,5A 250V BS LISTED FUSE,10A 250V GGL10, GBM10 /U/C/D	FS10500850 FS10500850 FS11000530				P834- RESISTORS CARBON FILM FIXED RES. ±5% 1/6W : R536 R537 R551-R563 RN25 RN26 RN46	
▲ J801 ▲ J801	/N /U	4822 267 31194	JACK,AC SOKET YKE31-0090 JACK,2P AC OUTLET (CCT1304-0212)	YJ04001640 YJ04002040	R***			P834- RESISTORS(COMMON) CARBON FILM FIXED RES. ±5% 1/6W : R536 R537 R551-R563 RN25 RN26 RN46	
J806			TERMINAL,M1698 PWB GND TERMINAL WITH M3	YL01010140					
▲ L801 ▲ L811	/N/S	4822 280 80773 9965 000 12339	RELAY, VS24MB-NR TV-8 POWER TRANSF.BACKUP AC230V	LY10240240 TS13521080				P834- SEMICONDUCTORS DIODE,1S176,MA165,1SS254 30V 0.1A	HD20002000
▲ L811	/U		POWER TRANSF.BACKUP AC120V	TS13521070	D501 D502 D503 ▲ D831 ▲ } ▲ D838 D839 D840 ▲ D841	4822 130 32362 4822 130 82421 4822 130 82421	DIODE,1D3 1A/200V DIODE,1D3 1A/200V	HD20002710 HD20002710	
▲ C801	/N/S	9965 000 06706	P824- POWER SW (EXEPT /U) CIRCUIT BOARD P824- CAPACITORS CER.DE1307-1E 472M-KH	DK17472910	▲ DN01 ▲ DN02 DN03 DN04 Q503 Q504 Q505	4822 130 81729 4822 130 80318 9965 000 01578	ZENER,MTZJ33D ZENER,6.8V EQUIVALENT DIODE,600V 25A BRIDGE-DI D25XB60	HD33301000 HD30681000 HE20029290	
S801	/N/S	9965 000 11695	P824- MISCELLANEOUS PUSH SW.AC POWER ESB92S17B	SP01013800	▲ DN01 ▲ DN02 DN03 DN04 Q503 Q504 Q505	4822 130 82421 4822 130 82421 4822 130 82609 4822 130 82609 4822 130 60839 4822 130 60839 4822 130 60588	DIODE,1D3 1A/200V DIODE,1D3 1A/200V ZENER,MTZJ2.0B ZENER,MTZJ2.0B TRS.2SC2458 Y OR GR TRS.2SC2458 Y OR GR DIG.TRS.DTC114ES/UN4211 10K, 10K	HD20002710 HD20002710 HD30201000 HD30201000 HT324582B0 HT324582B0 BA20001000	
C511 C514 C831 C832 C833 }		4822 126 10364 4822 124 23056 4822 124 23918 4822 124 41542	CER.100pF UP050B101 K-A ELECT,47µF/16V ELECT.ELNA RA2 16X25 ELECT.470µF ±20% 50V RA-2	DA16101110 EJ47601610 OA10805020 OA47705020	Q506 Q507	4822 130 60839 4822 130 60839	TRS.2SC2458 Y OR GR TRS.2SC2458 Y OR GR	HT324582B0 HT324582B0	
C836 C837 C838 C839 C840 C841 ▲ C842 ▲ C843 C846 C847 C848 ▲ CN07 CN08 CN09		4822 122 40617 4822 124 41535 4822 124 41535 4822 124 90355 4822 122 40617 4822 122 40617 9965 000 12713 9965 000 12713 4822 122 40617 4822 124 41535 4822 122 40617 4822 124 90366 4822 126 10364 4822 126 10364	CER.50V DC 0.1µF +80-20% ELECT.100µF ±20% 25V RA-2 ELECT.100µF ±20% 25V RA-2 ELECT.100µF ±20% 50V RA-2 CER.50V DC 0.1µF +80-20% CER.50V DC 0.1µF +80-20% ELECT.35XL80 VNND ELECT.35XL80 VNND CER.50V DC 0.1µF +80-20% ELECT.100µF ±20% 25V RA-2 CER.50V DC 0.1µF +80-20% ELECT.220µF ±20% 50V RA-2 CER.100pF UP050B101 K-A CER.100pF UP050B101 K-A	DD38104010 OA10702520 OA10702520 OA10705020 DD38104010 DD38104010 OB27906330 OB27906330 DD38104010 OA10702520 DD38104010 OA22705020 DA16101110 DA16101110	▲ Q831 ▲ Q832 ▲ Q833	4822 209 80675 4822 209 83829 4822 209 80675	IC,NJM78M18FA IC,18V 500MA REG. NJM79M18FA JRC IC,NJM78M18FA	HC38518090 HC39518090 HC38518090	
C***			P834- POWER SUPPLY FOR POWER AMP CIRCUIT BOARD P834- CAPACITORS CER.50V DC 0.1µF +80-20% ELECT.100µF ±20% 25V RA-2 ELECT.100µF ±20% 25V RA-2 ELECT.100µF ±20% 50V RA-2 CER.50V DC 0.1µF +80-20% CER.50V DC 0.1µF +80-20% ELECT.35XL80 VNND ELECT.35XL80 VNND CER.50V DC 0.1µF +80-20% ELECT.100µF ±20% 25V RA-2 CER.50V DC 0.1µF +80-20% ELECT.220µF ±20% 50V RA-2 CER.100pF UP050B101 K-A CER.100pF UP050B101 K-A	DD38104010 OA10702520 OA10702520 OA10705020 DD38104010 DD38104010 OB27906330 OB27906330 DD38104010 OA10702520 DD38104010 OA22705020 DA16101110 DA16101110	▲ L501 ▲ L502 ▲ J810	9965 000 12665 9965 000 12665	RELAY, VSB24STB 16A AVSS RELAY, VSB24STB 16A AVSS	LY10240300 LY10240300	
			P834- MISCELLANEOUS RELAY, VSB24STB 16A AVSS RELAY, VSB24STB 16A AVSS					P844- AC INLET CIRCUIT BOARD P844- MISCELLANEOUS JACK,2P AC INLET PW11910-H	YJ04002440
			PC04- FRONT CIRCUIT BOARD PC04- CAPACITORS PLASTIC FILM CAPACITOR ±5% 50V : C512		CC01 } CC05 CC07 CC08	4822 122 40617	CER.50V DC 0.1µF +80-20% CER.390pF CER.100pF UP050B101K-A	DD38104010 DA16391110 DA16101110	

NOTE : *nsp* PART IS LISTED FOR REFERENCE ONLY, MARANTZ WILL NOT SUPPLY THESE PARTS.

SR8200

POS. NO	VERS. COLOR	PART NO. (FOR PCS)	DESCRIPTION	PART NO. (MUJ)
CC09		4822 126 11558	CER.0.1µF Z 50V	DA17104110
CC10		4822 126 11558	CER.0.1µF Z 50V	DA17104110
CC11		4822 126 11558	CER.0.1µF Z 50V	DA17104110
CC12		4822 122 40617	CER.50V DC 0.1µF +80-20%	DD38104010
CC13		4822 126 11558	CER.0.1µF Z 50V	DA17104110
CC16		4822 122 40617	CER.50V DC 0.1µF +80-20%	DD38104010
CC17		4822 122 30103	CER.0.022µF Z 50V	DK18223310
CC18		4822 124 21901	ELECT.47µF/6.3V	EJ47600610
CC21		4822 122 40617	CER.50V DC 0.1µF +80-20%	DD38104010
CC22		4822 122 40617	CER.50V DC 0.1µF +80-20%	DD38104010
CC30		4822 124 80665	ELECT.10µF/50V	EJ10605010
CC31		4822 126 11558	CER.0.1µF Z 50V	DA17104110
CC32		4822 126 11558	CER.0.1µF Z 50V	DA17104110
CC33		4822 126 11558	CER.0.1µF Z 50V	DA17104110
CC34		4822 124 21894	ELECT.10µF/16V	EJ10601610
CC35		4822 122 40617	CER.50V DC 0.1µF +80-20%	DD38104010
CC36		4822 126 10935	ELECT.100µF/6.3V	EJ10700610
CC38		4822 122 40617	CER.50V DC 0.1µF +80-20%	DD38104010
CC40		4822 122 40586	CER.10000pF	DA17103110
CC41		4822 122 40586	CER.10000pF	DA17103110
CC43		4822 126 10935	ELECT.100µF/6.3V	EJ10700610
CC44		4822 122 40617	CER.50V DC 0.1µF +80-20%	DD38104010
			PC04-CAPACITORS(COMMON)	
C***			PLASTIC FILM CAPACITOR ±5% 50V : CC20	
			PC04- RESISTORS	
RC08			COMPO.RKC13BS473J ±5% P1.8	BW05473230
RC09			COMPO.RKC13BS473J ±5% P1.8	BW05473230
RC10			COMPO.RKC13BS103J ±5% P1.8	BW05103330
RC11			COMPO.RKC13BS473J ±5% P1.8	BW05473230
			PC04- RESISTORS(COMMON)	
R***			CARBON FILM FIXED RES. ±5% 1/6W : RC01-RC04 RC06 RC12 RC13 RC16[U] RC17-RC21 RC24-RC50 RC52	
			PC04- SEMICONDUCTORS	
DC01		4822 130 82159	L.E.D.GL3ED8 SHARP	HI10099320
DC02		9965 000 12659	L.E.D.SLR-932AV-8K A RANK 5MM P2.5	HI20006030
DC05				
DC06		4822 130 32362	DIODE,1SS176,MA165,1SS254 30V 0.1A	HD20002000
QC01		9965 000 12660	IC,NJM3430FG1	HC10220090
QC02		4822 130 41947	TRS.C2458,C1740S,C3199,ETC	HT30001000
QC03		4822 130 41947	TRS.C2458,C1740S,C3199,ETC	HT30001000
QC04		4822 218 12029	PHOTO UNIT,IR SENSOR TSOP 1136 TB1	HW10002620
QC05		4822 130 61227	DIG.TRS.DTA114ES/UN4111 10K,10K	BA10001000
QC06		4822 130 61227	DIG.TRS.DTA114ES/UN4111 10K,10K	BA10001000
QC07		4822 130 61227	DIG.TRS.DTA114ES/UN4111 10K,10K	BA10001000
QC08		4822 130 41947	TRS.C2458,C1740S,C3199,ETC	HT30001000
QC09		4822 130 42292	TRS.2SC2120 O	HT321201A0
QC10		4822 130 42292	TRS.2SC2120 O	HT321201A0

POS. NO	VERS. COLOR	PART NO. (FOR PCS)	DESCRIPTION	PART NO. (MUJ)
QC11		9965 000 11677	IC,PST600D-2 RESET IC TAPING	HC10098550
			PC04- MISCELLANEOUS	
SC01		9965 000 00373	PUSH SW. EVQ11L05R H/5MM,160GF	SP01013370
SC26				
SC27		9965 000 01349	ROTARY ENCODER, EC16B 16PLS 16CLICK	SR02010080
VC01		9965 000 12661	DISPLAY UNIT,16-BT-92GNK	HQ31601410
			PC64- STANDBY TACT SW CIRCUIT BOARD (U ONLY)	
SC60	U		PC64- MISCELLANEOUS PUSH SW. EVQ11L05R H/5MM,160GF	SP01013370
			PC74- UP/DOWN SW CIRCUIT BOARD (PS9200 ONLY)	
SC70		9965 000 00373	PUSH SW. EVQ11L05R H/5MM,160GF	SP01013370
SC71		9965 000 00373	PUSH SW. EVQ11L05R H/5MM,160GF	SP01013370
			PC84- VOLUME ENCODER CIRCUIT BOARD	
CC80		4822 122 40617	CER.50V DC 0.1µF +80-20%	DD38104010
CC81		4822 122 40586	CER.10000pF	DA17103110
CC82		4822 122 40586	CER.10000pF	DA17103110
			PC84- RESISTORS(COMMON)	
R***			CARBON FILM FIXED RES. ±5% 1/6W : RC80-RC85	
			PC84- MISCELLANEOUS	
SC80		9965 000 00373	PUSH SW. EVQ11L05R H/5MM,160GF	SP01013370
SC81		9965 000 00373	PUSH SW. EVQ11L05R H/5MM,160GF	SP01013370
SC82		9965 000 01348	ROTARY ENCODER, 36PULSE EC16B	SR02010070
			PD04- DIG IN/ADC/DAC CIRCUIT BOARD	
			PD04- CAPACITORS	
CA01		4822 126 13837	CER.CHIP,0.1µF ±10% B 10V	DK96104200
CA02		4822 126 13837	CER.CHIP,0.1µF ±10% B 10V	DK96104200
CA03		4822 126 13837	CER.CHIP,0.1µF ±10% B 10V	DK96104200
CA06		4822 126 11687	CER.CHIP,0.1µF GRM39F104Z16	DK98104200
CA07		4822 126 11687	CER.CHIP,0.1µF GRM39F104Z16	DK98104200
CA08		4822 126 11687	CER.CHIP,0.1µF GRM39F104Z16	DK98104200
CA10		4822 124 22698	ELECT.47µF ±20% 25V RA-2	OA47602520
CA12		4822 124 22698	ELECT.47µF ±20% 25V RA-2	OA47602520
CA14				
CA20		4822 126 11687	CER.CHIP,0.1µF GRM39F104Z16	DK98104200
CD01				
CD04		4822 124 22571	ELECT.10µF ±20% 50V RA-2	OA10605020

NOTE : *nsp* PART IS LISTED FOR REFERENCE ONLY, MARANTZ WILL NOT SUPPLY THESE PARTS.

SR8200

POS. NO	VERS. COLOR	PART NO. (FOR PCS)	DESCRIPTION	PART NO. (MJI)	POS. NO	VERS. COLOR	PART NO. (FOR PCS)	DESCRIPTION	PART NO. (MJI)
CD05		4822 126 11687	CER.CHIP,0.1μF GRM39F104Z16	DK98104200	CH37		9965 000 05891	FILM,APSV 471J,470pF(TP) 100V PP	OF15471540
CD12					CH40				
CD13		9965 000 01567	ELECT.100μF 10V ARA	OA10701050	CH41		4822 121 10792	FILM,APSV 221J,220pF(TP) 100V PP	OF15221540
CD16					CH42		4822 121 10792	FILM,APSV 221J,220pF(TP) 100V PP	OF15221540
CD17		4822 126 11687	CER.CHIP,0.1μF GRM39F104Z16	DK98104200	CH43		4822 122 33777	CER.CHIP,47pF ±5% CG 50V GR39	DD95470300
CD20					CH44		4822 122 33777	CER.CHIP,47pF ±5% CG 50V GR39	DD95470300
CD21		4822 124 90353	ELECT.100μF ±20% 10V RA-2	OA10701020	CH45		4822 124 80578	ELECT.22μF 25V ARA	OA22602550
CD24					CH46		4822 124 80578	ELECT.22μF 25V ARA	OA22602550
CD25		4822 126 11687	CER.CHIP,0.1μF GRM39F104Z16	DK98104200	CH47		9965 000 05891	FILM,APSV 471J,470pF(TP) 100V PP	OF15471540
CD28					CH48		9965 000 05891	FILM,APSV 471J,470pF(TP) 100V PP	OF15471540
CD29		4822 124 22571	ELECT.10μF ±20% 50V RA-2	OA10605020	CH49				
CD32					CH56		4822 126 11687	CER.CHIP,0.1μF GRM39F104Z16	DK98104200
CD33		4822 126 11687	CER.CHIP,0.1μF GRM39F104Z16	DK98104200	CJ01				
CD36					CJ08		4822 121 70089	FILM,820pF ±5% 50V	DF15821350
CD37		4822 124 22571	ELECT.10μF ±20% 50V RA-2	OA10605020	CJ09				
CD40					CJ16		9965 000 09113	FILM,APSV 271J,270pF(TP) 100V PP	OF15271540
CD41		4822 126 11759	CER.CHIP,100pF ±5% CG 50V GR39	DD95101300	CJ17		4822 124 80578	ELECT.22μF 25V ARA	OA22602550
CD44					CJ18		4822 124 90362	ELECT.22μF ±20% 50V RA-2	OA22605020
CD50		4822 126 11703	CER.CHIP,0.01μF	DK98103300	CJ19		4822 124 80578	ELECT.22μF 25V ARA	OA22602550
CD53					CJ20		4822 124 80578	ELECT.22μF 25V ARA	OA22602550
CD54		4822 126 11687	CER.CHIP,0.1μF GRM39F104Z16	DK98104200	CJ21				
CD55		4822 126 11687	CER.CHIP,0.1μF GRM39F104Z16	DK98104200	CJ24		9965 000 06697	FILM,APSV 561J 560pF(TP) 100V PP	OF15561540
CD56					CJ25				
CD59		4822 126 11703	CER.CHIP,0.01μF	DK98103300	CJ28		4822 124 90362	ELECT.22μF ±20% 50V RA-2	OA22605020
CD60					CJ29				
CD65		4822 124 22571	ELECT.10μF ±20% 50V RA-2	OA10605020	CJ32		4822 122 33761	CER.CHIP,22pF ±5% CG 50V GR39	DD95220300
CH01					CJ33		4822 124 80578	ELECT.22μF 25V ARA	OA22602550
CH08		4822 121 70089	FILM,820pF ±5% 50V	DF15821350	CJ34		4822 124 90362	ELECT.22μF ±20% 50V RA-2	OA22605020
CH09					CJ35		4822 124 80578	ELECT.22μF 25V ARA	OA22602550
CH16		9965 000 09113	FILM,APSV 271J,270pF(TP) 100V PP	OF15271540	CJ36		4822 124 80578	ELECT.22μF 25V ARA	OA22602550
CH17					CJ37				
CH20		4822 124 80578	ELECT.22μF 25V ARA	OA22602550	CJ40		9965 000 05891	FILM,APSV 471J,470pF(TP) 100V PP	OF15471540
CH21					CJ41				
CH24		9965 000 06697	FILM,APSV 561J 560pF(TP) 100V PP	OF15561540	CJ48		4822 126 11687	CER.CHIP,0.1μF GRM39F104Z16	DK98104200
CH25					CK01		4822 111 41305	0Ω ±5% 1/4W	GD05000140
CH28		4822 124 90362	ELECT.22μF ±20% 50V RA-2	OA22605020	CK02		4822 111 41305	0Ω ±5% 1/4W	GD05000140
CH29					CK03		4822 124 90362	ELECT.22μF ±20% 50V RA-2	OA22605020
CH32		4822 122 33761	CER.CHIP,22pF ±5% CG 50V GR39	DD95220300	CK04		4822 124 90362	ELECT.22μF ±20% 50V RA-2	OA22605020
CH33					CK05		4822 122 33753	CER.CHIP,150pF ±5% CG 50V GR39	DD95151300
CH36		4822 124 80578	ELECT.22μF 25V ARA	OA22602550	CK06		4822 122 33753	CER.CHIP,150pF ±5% CG 50V GR39	DD95151300
					CK07		4822 126 11759	CER.CHIP,100pF ±5% CG 50V GR39	DD95101300

NOTE : *nsp* PART IS LISTED FOR REFERENCE ONLY, MARANTZ WILL NOT SUPPLY THESE PARTS.

SR8200

POS. NO	VERS. COLOR	PART NO. (FOR PCS)	DESCRIPTION	PART NO. (MUJ)	POS. NO	VERS. COLOR	PART NO. (FOR PCS)	DESCRIPTION	PART NO. (MUJ)
CK08		4822 126 11759	CER.CHIP,100pF ±5% CG 50V GR39	DD95101300	RH37		4822 116 83217	CHIP,560kΩ ±5% 1/16W	NN05564610
CK11		4822 126 11687	CER.CHIP,0.1μF GRM39F104Z16	DK98104200	RH38		4822 116 83217	CHIP,560kΩ ±5% 1/16W	NN05564610
CK17					RH39		4822 116 83209	CHIP,120kΩ ±5% 1/16W	NN05124610
CK18		4822 124 22571	ELECT.10μF ±20% 50V RA-2	OA10605020	RH40		4822 116 83209	CHIP,120kΩ ±5% 1/16W	NN05124610
CK19		4822 124 41543	ELECT.1μF ±20% 50V RA-2	OA10505020	RH41		4822 051 30103	CHIP,10kΩ ±5% 1/16W	NN05103610
CK20		4822 124 41543	ELECT.1μF ±20% 50V RA-2	OA10505020	}				
CK21		4822 122 33777	CER.CHIP,47pF ±5% CG 50V GR39	DD95470300	RH44		4822 051 30471	CHIP,470Ω ±5% 1/16W	NN05471610
CK24					RH45				
CK25		4822 126 11687	CER.CHIP,47pF ±5% CG 50V GR39	DK98104200	}		4822 117 13632	CHIP,100kΩ ±5% 1/16W	NN05104610
CK26		4822 126 11687	CER.CHIP,0.1μF GRM39F104Z16	DK98104200	RH48				
CK27		4822 122 33777	CER.CHIP,47pF ±5% CG 50V GR39	DD95470300	RH49		4822 051 30332	CHIP,3.3kΩ ±5% 1/16W	NN05332610
CK28		4822 122 33777	CER.CHIP,	DD95470300	}				
CK29		9965 000 08352	CER.CHIP,0.1μF 50V F C1608JF1H104Z	DK98104300	RH52		4822 051 30472	CHIP,4.7kΩ ±5% 1/16W	NN05472610
CK30		9965 000 00599	CER.CHIP,0.22μF ±10% B 10V	DK96224200	RH53		4822 051 30472	CHIP,4.7kΩ ±5% 1/16W	NN05472610
CK62		4822 124 90357	ELECT.2.2μF ±20% 50V RA-2	OA22505020	RH54		4822 051 30332	CHIP,3.3kΩ ±5% 1/16W	NN05332610
CK63		4822 126 11687	CER.CHIP,0.1μF GRM39F104Z16	DK98104200	RH55		4822 051 30332	CHIP,3.3kΩ ±5% 1/16W	NN05332610
CK64		4822 126 11687	CER.CHIP,0.1μF GRM39F104Z16	DK98104200	RH56		4822 051 30472	CHIP,4.7kΩ ±5% 1/16W	NN05472610
CK65		4822 126 11687	CER.CHIP,0.1μF GRM39F104Z16	DK98104200	RH57		4822 051 30472	CHIP,4.7kΩ ±5% 1/16W	NN05472610
CK66		4822 124 90353	ELECT.100μF ±20% 10V RA-2	OA10701020	RH58		4822 051 30472	CHIP,4.7kΩ ±5% 1/16W	NN05472610
CK67		4822 124 90353	ELECT.100μF ±20% 10V RA-2	OA10701020	RH59		4822 051 30332	CHIP,3.3kΩ ±5% 1/16W	NN05332610
CK68		4822 126 11568	CER.CHIP,470pF (GR39)	DK96471300	RH60		4822 051 30332	CHIP,3.3kΩ ±5% 1/16W	NN05332610
CK69		4822 124 22571	ELECT.10μF ±20% 50V RA-2	OA10605020	RH61		4822 051 30471	CHIP,470Ω ±5% 1/16W	NN05471610
CK70		4822 124 22571	ELECT.10μF ±20% 50V RA-2	OA10605020	RH62		4822 051 30471	CHIP,470Ω ±5% 1/16W	NN05471610
RA01		4822 051 30759	CHIP,75Ω ±5% 1/16W	NN05750610	RH63		4822 117 13632	CHIP,100kΩ ±5% 1/16W	NN05104610
RA02		4822 051 30759	CHIP,75Ω ±5% 1/16W	NN05750610	RH64		4822 117 13632	CHIP,100kΩ ±5% 1/16W	NN05104610
RA03		4822 051 30759	CHIP,75Ω ±5% 1/16W	NN05750610	RJ01		4822 051 30222	CHIP,2.2kΩ ±5% 1/16W	NN05222610
RA06		4822 051 30102	CHIP,1kΩ ±5% 1/16W	NN05102610	}				
RA07		4822 051 30102	CHIP,1kΩ ±5% 1/16W	NN05102610	RJ28		4822 117 13632	CHIP,100kΩ ±5% 1/16W	NN05104610
RA08		4822 051 30102	CHIP,1kΩ ±5% 1/16W	NN05102610	}				
RA11		4822 117 13632	CHIP,100kΩ ±5% 1/16W	NN05104610	RJ29		4822 051 30103	CHIP,10kΩ ±5% 1/16W	NN05103610
RA12		4822 117 13632	CHIP,100kΩ ±5% 1/16W	NN05104610	}				
RA13		4822 117 13632	CHIP,100kΩ ±5% 1/16W	NN05104610	RJ32		4822 051 30223	CHIP,22kΩ ±5% 1/16W	NN05223610
RA16		4822 051 30472	CHIP,4.7kΩ ±5% 1/16W	NN05472610	RJ33		4822 051 30472	CHIP,4.7kΩ ±5% 1/16W	NN05472610
RA17		4822 051 30472	CHIP,4.7kΩ ±5% 1/16W	NN05472610	RJ34		4822 051 30103	CHIP,10kΩ ±5% 1/16W	NN05103610
RA18		4822 051 30472	CHIP,4.7kΩ ±5% 1/16W	NN05472610	RJ35		4822 051 30103	CHIP,10kΩ ±5% 1/16W	NN05103610
RA21		4822 051 30103	CHIP,10kΩ ±5% 1/16W	NN05103610	RJ36		4822 051 30103	CHIP,10kΩ ±5% 1/16W	NN05103610
RA22		4822 051 30103	CHIP,10kΩ ±5% 1/16W	NN05103610	RJ37		4822 116 83217	CHIP,560kΩ ±5% 1/16W	NN05564610
RA23		4822 051 30103	CHIP,10kΩ ±5% 1/16W	NN05103610	RJ38		4822 051 30683	CHIP,68kΩ ±5% 1/16W	NN05683610
RA25		4822 051 30472	CHIP,4.7kΩ ±5% 1/16W	NN05472610	RJ39		4822 116 83209	CHIP,120kΩ ±5% 1/16W	NN05124610
RA26		4822 051 30472	CHIP,4.7kΩ ±5% 1/16W	NN05472610	RJ40		4822 116 83209	CHIP,120kΩ ±5% 1/16W	NN05124610
RA27		4822 051 30472	CHIP,4.7kΩ ±5% 1/16W	NN05472610	RJ41		4822 051 30103	CHIP,10kΩ ±5% 1/16W	NN05103610
RD01		4822 051 30102	CHIP,1kΩ ±5% 1/16W	NN05102610	}				
RD08					RJ44				
RD09		4822 051 30103	CHIP,10kΩ ±5% 1/16W	NN05103610	RJ45		4822 051 30471	CHIP,470Ω ±5% 1/16W	NN05471610
RH01		4822 051 30222	CHIP,2.2kΩ ±5% 1/16W	NN05222610	}				
RH28					RJ48				
RH29		4822 117 13632	CHIP,100kΩ ±5% 1/16W	NN05104610	RJ49		4822 117 13632	CHIP,100kΩ ±5% 1/16W	NN05104610
RH32					}				
RH33		4822 051 30223	CHIP,22kΩ ±5% 1/16W	NN05223610	RJ52		4822 051 30472	CHIP,4.7kΩ ±5% 1/16W	NN05472610
RH34		4822 051 30223	CHIP,22kΩ ±5% 1/16W	NN05223610	RK01		4822 051 30472	CHIP,4.7kΩ ±5% 1/16W	NN05472610
RH35		4822 051 30103	CHIP,10kΩ ±5% 1/16W	NN05103610	RK02		4822 051 30472	CHIP,4.7kΩ ±5% 1/16W	NN05472610
RH36		4822 051 30103	CHIP,10kΩ ±5% 1/16W	NN05103610	RK03		4822 051 30392	CHIP,3.9kΩ ±5% 1/16W	NN05392610
					RK04		4822 051 30392	CHIP,3.9kΩ ±5% 1/16W	NN05392610
					RK05		4822 051 30222	CHIP,2.2kΩ ±5% 1/16W	NN05222610
					}				
					RK08		4822 051 30472	CHIP,4.7kΩ ±5% 1/16W	NN05472610
					RK09		4822 051 30472	CHIP,4.7kΩ ±5% 1/16W	NN05472610
					RK10		4822 051 30103	CHIP,10kΩ ±5% 1/16W	NN05103610
					}				
					RK11		4822 051 30331	CHIP,330Ω ±5% 1/16W	NN05331610
					}		4822 051 30331	CHIP,330Ω ±5% 1/16W	NN05331610
					RK14		4822 051 30222	CHIP,2.2kΩ ±5% 1/16W	NN05222610
					RK15				
					RK16				
					RK19				

NOTE : *nsp* PART IS LISTED FOR REFERENCE ONLY, MARANTZ WILL NOT SUPPLY THESE PARTS.

SR8200

POS. NO	VERS. COLOR	PART NO. (FOR PCS)	DESCRIPTION	PART NO. (MUJ)
RK20		4822 051 30222	CHIP,2.2kΩ ±5% 1/16W	NN05222610
RK21		4822 051 30105	CHIP,1MΩ ±5% 1/16W	NN05105610
RK23				
}		4822 051 30223	CHIP,22kΩ ±5% 1/16W	NN05223610
RK28				
RK29		4822 051 30473	CHIP,47kΩ ±5% 1/16W	NN05473610
RK30		4822 051 30473	CHIP,47kΩ ±5% 1/16W	NN05473610
RK31		4822 051 30472	CHIP,4.7kΩ ±5% 1/16W	NN05472610
RK32		4822 051 30473	CHIP,47kΩ ±5% 1/16W	NN05473610
RK33		4822 051 30103	CHIP,10kΩ ±5% 1/16W	NN05103610
RK39		4822 051 30684	CHIP,680kΩ ±5% 1/16W	NN05684610
RK40		4822 051 30684	CHIP,680kΩ ±5% 1/16W	NN05684610
RK41		4822 051 30684	CHIP,680kΩ ±5% 1/16W	NN05684610
RK42		4822 051 30473	CHIP,47kΩ ±5% 1/16W	NN05473610
RK43		4822 051 30684	CHIP,680kΩ ±5% 1/16W	NN05684610
RK44		4822 051 30472	CHIP,4.7kΩ ±5% 1/16W	NN05472610
RK46		4822 051 30103	CHIP,10kΩ ±5% 1/16W	NN05103610
RK47		4822 051 30103	CHIP,10kΩ ±5% 1/16W	NN05103610
RK48		4822 051 30103	CHIP,10kΩ ±5% 1/16W	NN05103610
RK49		4822 051 30472	CHIP,4.7kΩ ±5% 1/16W	NN05472610
RK50		4822 051 30472	CHIP,4.7kΩ ±5% 1/16W	NN05472610
RK51		4822 051 30103	CHIP,10kΩ ±5% 1/16W	NN05103610
RK55		4822 051 30563	CHIP,56kΩ ±5% 1/16W	NN05563610
RK56		4822 051 30563	CHIP,56kΩ ±5% 1/16W	NN05563610
RK58		4822 051 30471	CHIP,470Ω ±5% 1/16W	NN05471610
RK70				
}		4822 051 30103	CHIP,10kΩ ±5% 1/16W	NN05103610
RK73				
RK74		4822 052 10681	680Ω ±5% 1/6W	GG05681160
RK75		4822 052 10681	680Ω ±5% 1/6W	GG05681160
RK76		4822 051 30103	CHIP,10kΩ ±5% 1/16W	NN05103610
RK77		4822 051 30103	CHIP,10kΩ ±5% 1/16W	NN05103610
			PD04- SEMICONDUCTORS	
DA01		4822 130 81324	CHIP DIODE,1SS302	HZ20018050
DA02		4822 130 81324	CHIP DIODE,1SS302	HZ20018050
DA03		4822 130 81324	CHIP DIODE,1SS302	HZ20018050
DK01		4822 130 81324	CHIP DIODE,1SS302	HZ20018050
DK02		4822 130 81324	CHIP DIODE,1SS302	HZ20018050
DK03		4822 130 81324	CHIP DIODE,1SS302	HZ20018050
DK70		4822 130 81324	CHIP DIODE,1SS302	HZ20018050
DK71		4822 130 81324	CHIP DIODE,1SS302	HZ20018050
QA01		4822 209 31568	IC,CMOS 74HC04 FLAT TAPING	HC700400Z0
QA03		9965 000 01342	IC,TC74HC151AF	HC715100Z0
QA04		9965 000 01342	IC,TC74HC151AF	HC715100Z0
QA05		4822 209 31929	IC,OR-GATE 74HC32	HC703200Z0
QA06		4822 209 30426	IC,CMOS 74HC00 FLAT TAPING	HC700000Z0
QA07		5322 209 11578	IC,PCF8574(I/O EXPANDER)	HC10068490
QD01				
}		9965 000 12651	IC,DAC CS4396-KS 24BIT DR=120DB	HC10011880
QD04				
QH01				
}		4822 209 17155	IC,NJM2068M TAPING	HC10102090
QH05				
QJ01				
}		4822 209 17155	IC,NJM2068M TAPING	HC10102090
QJ04				
QK01		4822 130 63601	CHIP TR.(2SC),2SC4213	HX342132A0
QK02		4822 130 63601	CHIP TR.(2SC),2SC4213	HX342132A0
QK03		4822 209 14615	IC,NJM2115M	HC10172090
QK04		4822 209 14615	IC,NJM2115M	HC10172090

POS. NO	VERS. COLOR	PART NO. (FOR PCS)	DESCRIPTION	PART NO. (MUJ)
QK05		4822 209 17155	IC,NJM2068M TAPING	HC10102090
QK06		4822 209 17155	IC,NJM2068M TAPING	HC10102090
QK07		4822 130 61903	DIG.TR.S.DTA114EU	BA10026210
QK08		4822 209 14615	IC,NJM2115M	HC10172090
QK52		9965 000 12341	IC,ADC AK5380VT 24BIT 105DB	HC10035480
QK70		4822 130 61903	DIG.TR.S.DTA114EU	BA10026210
QK71		4822 130 60839	TRS.2SC2458 Y OR GR	HT324582B0
QK72		4822 130 61903	DIG.TR.S.DTA114EU	BA10026210
QK73		4822 130 60839	TRS.2SC2458 Y OR GR	HT324582B0
			PD04- MISCELLANEOUS	
JA01		4822 265 10682	TERMINAL, YKC21-3779	YT02030420
JA03		9965 000 12658	OPT.CONNECTOR,JFJ400	YJ15000200
JA04		9965 000 12658	OPT.CONNECTOR,JFJ400	YJ15000200
JA05		9965 000 12658	OPT.CONNECTOR,JFJ400	YJ15000200
LD01				
}		4822 242 73843	EMI FILTER,DSS306-91-F-223Z	FM12223010
LD04				
LK70		9965 000 01576	RELAY,MR82-24USR	LY20240480
LK71		9965 000 01576	RELAY,MR82-24USR	LY20240480
			PF04- SCART CIRCUIT BOARD (IN ONLY)	
			PF04- CAPACITORS	
CF81	/N	4822 122 30043	CER.0.01μF Z 50V	DK18103310
CF82	/N	5322 124 21731	ELECT.10μF ±20% 50V RA-2	OA10605020
			PF04- RESISTORS	
RF83	/N	4822 116 82805	1Ω ±5% 1/6W	GG05010160
			PF04- RESISTORS(COMMON)	
R***			CARBON FILM FIXED RES. ±5% 1/6W : RF81[/N] RF82[/N]	
			PF04- SEMICONDUCTORS	
DF81	/N	4822 130 32362	DIODE,1SS176,MA165,1SS254 30V 0.1A	HD20002000
QF81	/N	4822 130 60839	TRS.2SC2458 (B)	HT324582B0
			PF04- MISCELLANEOUS	
JF81	/N	9965 000 08366	TERMINAL, YKF41-5040	YT02210070
JF82	/N	9965 000 08366	TERMINAL, YKF41-5040	YT02210070
LF81	/N	9965 000 01576	RELAY,MR82-24USR	LY20240480
			PF14- COMPONENT CIRCUIT BOARD	
			PF14- CAPACITORS	
CF61	/S/U		CER.0.01μF Z 50V	DK18103310
CF62	/S/U		ELECT.10μF ±20% 50V RA-2	OA10605020
CF63	/S/U		ELECT.470μF ±20% 6.3V RA-2	OA47700620
			PF14- RESISTORS	
RF53	/S/U		1Ω ±5% 1/6W	GG05010160
RF59	/S/U		1Ω ±5% 1/6W	GG05010160
RF76	/S/U		1Ω ±5% 1/6W	GG05010160
RF77	/S/U		75Ω ±5% 1/6W	GD05750160
			PF14- RESISTORS(COMMON)	
R***			CARBON FILM FIXED RES. ±5% 1/6W : RF51[/S/U] RF52[/S/U] RF57[/S/U] RF58[/S/U] RF74[/S/U] RF75[/S/U]	

NOTE : *nsp* PART IS LISTED FOR REFERENCE ONLY, MARANTZ WILL NOT SUPPLY THESE PARTS.

SR8200

POS. NO	VERS. COLOR	PART NO. (FOR PCS)	DESCRIPTION	PART NO. (MUJ)	POS. NO	VERS. COLOR	PART NO. (FOR PCS)	DESCRIPTION	PART NO. (MUJ)
			PF14- SEMICONDUCTORS						
DF51	/S/U		DIODE,1SS176,MA165,1SS254 30V 0.1A	HD20002000	CE67		4822 122 40617	CER.50V DC 0.1µF +80-20%	DD38104010
DF53	/S/U		DIODE,1SS176,MA165,1SS254 30V 0.1A	HD20002000	CE68		4822 122 40617	CER.50V DC 0.1µF +80-20%	DD38104010
DF54	/S/U		DIODE,1SS176,MA165,1SS254 30V 0.1A	HD20002000	CE69		4822 124 22698	ELECT.47µF ±20% 25V RA-2	OA47602520
QF51	/S/U		TRS.2SC2458 Y OR GR	HT324582B0	CE70		4822 124 22698	ELECT.47µF ±20% 25V RA-2	OA47602520
QF53	/S/U		TRS.2SC2458 Y OR GR	HT324582B0	CE81		4822 124 22698	ELECT.47µF ±20% 25V RA-2	OA47602520
QF54	/S/U		TRS.2SC2458 Y OR GR	HT324582B0	CE82		4822 122 40617	CER.50V DC 0.1µF +80-20%	DD38104010
			PF14- MISCELLANEOUS		CE83		4822 124 22698	ELECT.47µF ±20% 25V RA-2	OA47602520
JF51	/S/U		TERMINAL, YKC21-4075 1L3 FS NI	YT02030710	CE84		4822 122 40617	CER.50V DC 0.1µF +80-20%	DD38104010
JF52	/S/U		TERMINAL, YKC21-4310 1L3 FG NI	YT02030720	CG01		4822 124 90362	ELECT.22µF ±20% 50V RA-2	OA22605020
JF53	/S/U		TERMINAL, YKC21-4310 1L3 FG NI	YT02030720	CG02		4822 124 90362	ELECT.22µF ±20% 50V RA-2	OA22605020
JF54	/S/U		PLUG,08MQ-ST-L	YP06902290	CG03		4822 124 22571	ELECT.10µF ±20% 50V RA-2	OA10605020
LF51	/S/U		RELAY,MR82-24USR	LY20240480	CG04		4822 124 22571	ELECT.10µF ±20% 50V RA-2	OA10605020
LF52	/S/U		RELAY,MR82-24USR	LY20240480	CG07		4822 122 40617	CER.50V DC 0.1µF +80-20%	DD38104010
LF56	/S/U		RELAY,MR82-24USR	LY20240480	CG08		4822 122 40617	CER.50V DC 0.1µF +80-20%	DD38104010
LF57	/S/U		RELAY,MR82-24USR	LY20240480	CG09		4822 124 90362	ELECT.22µF ±20% 50V RA-2	OA22605020
LF59	/S/U		RELAY,MR82-24USR	LY20240480	CG10		4822 124 90362	ELECT.22µF ±20% 50V RA-2	OA22605020
			PG04- ELE.VOLUME CIRCUIT BOARD		CG11		9965 000 02015	ELECT.22µF ±20% 25V ARS-TYPE	OA22602540
			PG04- CAPACITORS		CG12		9965 000 02015	ELECT.22µF ±20% 25V ARS-TYPE	OA22602540
CE01		4822 124 90362	ELECT.22µF ±20% 50V RA-2	OA22605020	CG13		4822 124 22571	ELECT.10µF ±20% 50V RA-2	OA10605020
CE02		4822 124 90362	ELECT.22µF ±20% 50V RA-2	OA22605020	CG14		4822 124 22571	ELECT.10µF ±20% 50V RA-2	OA10605020
CE03		4822 124 22571	ELECT.10µF ±20% 50V RA-2	OA10605020	CG17		4822 122 40617	CER.50V DC 0.1µF +80-20%	DD38104010
CE04		4822 124 22571	ELECT.10µF ±20% 50V RA-2	OA10605020	CG18		4822 122 40617	CER.50V DC 0.1µF +80-20%	DD38104010
CE07		4822 122 40617	CER.50V DC 0.1µF +80-20%	DD38104010	CG19		4822 124 22698	ELECT.47µF ±20% 25V RA-2	OA47602520
CE08		4822 122 40617	CER.50V DC 0.1µF +80-20%	DD38104010	CG20		4822 124 22698	ELECT.47µF ±20% 25V RA-2	OA47602520
CE09		4822 124 90362	ELECT.22µF ±20% 50V RA-2	OA22605020	CG51		4822 124 90362	ELECT.22µF ±20% 50V RA-2	OA22605020
CE10		4822 124 90362	ELECT.22µF ±20% 50V RA-2	OA22605020	CG52		4822 124 90362	ELECT.22µF ±20% 50V RA-2	OA22605020
CE11		9965 000 02015	ELECT.22µF ±20% 25V ARS-TYPE	OA22602540	CG53		4822 124 22571	ELECT.10µF ±20% 50V RA-2	OA10605020
CE12		9965 000 02015	ELECT.22µF ±20% 25V ARS-TYPE	OA22602540	CG54		4822 124 22571	ELECT.10µF ±20% 50V RA-2	OA10605020
CE13		4822 124 22571	ELECT.10µF ±20% 50V RA-2	OA10605020	CG57		4822 122 40617	CER.50V DC 0.1µF +80-20%	DD38104010
CE14		4822 124 22571	ELECT.10µF ±20% 50V RA-2	OA10605020	CG58		4822 122 40617	CER.50V DC 0.1µF +80-20%	DD38104010
CE17		4822 122 40617	CER.50V DC 0.1µF +80-20%	DD38104010	CG59		4822 124 90362	ELECT.22µF ±20% 50V RA-2	OA22605020
CE18		4822 122 40617	CER.50V DC 0.1µF +80-20%	DD38104010	CG60		4822 124 90362	ELECT.22µF ±20% 50V RA-2	OA22605020
CE19		4822 124 22698	ELECT.47µF ±20% 25V RA-2	OA47602520	CG61		9965 000 02015	ELECT.22µF ±20% 25V ARS-TYPE	OA22602540
CE20		4822 124 22698	ELECT.47µF ±20% 25V RA-2	OA47602520	CG62		9965 000 02015	ELECT.22µF ±20% 25V ARS-TYPE	OA22602540
CE31		4822 124 22698	ELECT.47µF ±20% 25V RA-2	OA47602520	CG63		4822 124 22571	ELECT.10µF ±20% 50V RA-2	OA10605020
CE32		4822 122 40617	CER.50V DC 0.1µF +80-20%	DD38104010	CG64		4822 124 22571	ELECT.10µF ±20% 50V RA-2	OA10605020
CE33		4822 124 22698	ELECT.47µF ±20% 25V RA-2	OA47602520	CG67		4822 122 40617	CER.50V DC 0.1µF +80-20%	DD38104010
CE34		4822 122 40617	CER.50V DC 0.1µF +80-20%	DD38104010	CG68		4822 122 40617	CER.50V DC 0.1µF +80-20%	DD38104010
CE49		4822 124 90354	ELECT.100µF ±20% 16V RA-2	OA10701620	CG69		4822 124 22698	ELECT.47µF ±20% 25V RA-2	OA47602520
CE50		4822 124 90354	ELECT.100µF ±20% 16V RA-2	OA10701620	CG70		4822 124 22698	ELECT.47µF ±20% 25V RA-2	OA47602520
CE51		4822 124 90362	ELECT.22µF ±20% 50V RA-2	OA22605020	CM01		4822 124 90362	ELECT.22µF ±20% 50V RA-2	OA22605020
CE52		4822 124 90362	ELECT.22µF ±20% 50V RA-2	OA22605020	CM02		4822 124 90362	ELECT.22µF ±20% 50V RA-2	OA22605020
CE53		4822 124 22571	ELECT.10µF ±20% 50V RA-2	OA10605020	CM03		4822 124 22571	ELECT.10µF ±20% 50V RA-2	OA10605020
CE54		4822 124 22571	ELECT.10µF ±20% 50V RA-2	OA10605020	CM04		4822 124 22571	ELECT.10µF ±20% 50V RA-2	OA10605020
CE57		4822 122 40617	CER.50V DC 0.1µF +80-20%	DD38104010	CM07		4822 122 40617	CER.50V DC 0.1µF +80-20%	DD38104010
CE58		4822 122 40617	CER.50V DC 0.1µF +80-20%	DD38104010	CM08		4822 122 40617	CER.50V DC 0.1µF +80-20%	DD38104010
CE59		4822 124 90362	ELECT.22µF ±20% 50V RA-2	OA22605020	CM09		4822 124 90362	ELECT.22µF ±20% 50V RA-2	OA22605020
CE60		4822 124 90362	ELECT.22µF ±20% 50V RA-2	OA22605020	CM12		4822 124 90362	ELECT.22µF ±20% 50V RA-2	OA22605020
CE61		9965 000 02015	ELECT.22µF ±20% 25V ARS-TYPE	OA22602540	CM13		4822 124 22571	ELECT.10µF ±20% 50V RA-2	OA10605020
CE62		4822 124 90362	ELECT.22µF ±20% 50V RA-2	OA22605020	CM14		4822 124 22571	ELECT.10µF ±20% 50V RA-2	OA10605020
CE63		4822 124 22571	ELECT.10µF ±20% 50V RA-2	OA10605020	CM17		4822 122 40617	CER.50V DC 0.1µF +80-20%	DD38104010
CE64		4822 124 22698	ELECT.47µF ±20% 25V RA-2	OA47602520	CM18		4822 122 40617	CER.50V DC 0.1µF +80-20%	DD38104010
					CM19		4822 124 22698	ELECT.47µF ±20% 25V RA-2	OA47602520
					CM20		4822 124 22698	ELECT.47µF ±20% 25V RA-2	OA47602520
					CM31		4822 124 90362	ELECT.22µF ±20% 50V RA-2	OA22605020
					CM32		4822 124 90362	ELECT.22µF ±20% 50V RA-2	OA22605020
					CM33		4822 124 22571	ELECT.10µF ±20% 50V RA-2	OA10605020
					CM34		4822 124 22571	ELECT.10µF ±20% 50V RA-2	OA10605020
					CM37		4822 122 40617	CER.50V DC 0.1µF +80-20%	DD38104010

NOTE : *nsp* PART IS LISTED FOR REFERENCE ONLY, MARANTZ WILL NOT SUPPLY THESE PARTS.

SR8200

POS. NO	VERS. COLOR	PART NO. (FOR PCS)	DESCRIPTION	PART NO. (MUJ)	POS. NO	VERS. COLOR	PART NO. (FOR PCS)	DESCRIPTION	PART NO. (MUJ)
CM38		4822 122 40617	CER.50V DC 0.1μF +80-20%	DD38104010	RE69				
CM39		4822 124 22698	ELECT.47μF ±20% 25V RA-2	OA47602520	RE70		4822 111 90905	CHIP,220Ω ±5% 1/10W	NI05221110
CM40		4822 124 22698	ELECT.47μF ±20% 25V RA-2	OA47602520	RE72				
					RE73				
			PG04-CAPACITORS(COMMON)		RE76		4822 111 90918	CHIP,4.7kΩ ±5% 1/10W	NI05472110
			HIGH DIELECTRIC CONSTANT		RE77		2322 734 63309	CHIP,33Ω ±5% 1/10W	NI05330110
			CER.CAPACITOR ±10% 50V :		RE78		2322 734 63309	CHIP,33Ω ±5% 1/10W	NI05330110
			CE05 CE06 CE15 CE16		RE80		4822 111 90893	CHIP,100Ω ±5% 1/10W	NI05101110
			CE21-CE24 CE30 CE45-CE48		RE91		4822 111 90897	CHIP,1MΩ ±5% 1/10W	NI05105110
			CE55 CE56 CE65 CE66		RE92		4822 111 90897	CHIP,1MΩ ±5% 1/10W	NI05105110
			CE71-CE74 CE80 CG05 CG06		RG01		4822 111 90919	CHIP,47kΩ ±5% 1/10W	NI05473110
			CG15 CG16 CG21-CG24 CG55		RG02		4822 111 90919	CHIP,47kΩ ±5% 1/10W	NI05473110
			CG56 CG65 CG66 CG71-CG74		RG03				
			CM05 CM06 CM15 CM16		RG06				
			CM21-CM24 CM35 CM36 CM41		RG07				
			CM42		RG10		4822 111 90919	CHIP,47kΩ ±5% 1/10W	NI05473110
			PG04- RESISTORS		RG11		4822 111 90922	CHIP,5.6kΩ ±5% 1/10W	NI05562110
RE01		4822 111 90919	CHIP,47kΩ ±5% 1/10W	NI05473110	RG12		4822 111 90922	CHIP,5.6kΩ ±5% 1/10W	NI05562110
RE02		4822 111 90919	CHIP,47kΩ ±5% 1/10W	NI05473110	RG13		4822 111 90918	CHIP,4.7kΩ ±5% 1/10W	NI05472110
RE03					RG14		4822 111 90918	CHIP,4.7kΩ ±5% 1/10W	NI05472110
RE04		4822 111 90895	CHIP,10kΩ ±5% 1/10W	NI05103110	RG15		4822 111 90926	CHIP,8.2kΩ ±5% 1/10W	NI05822110
RE05					RG16		4822 111 90926	CHIP,8.2kΩ ±5% 1/10W	NI05822110
RE06					RG17		4822 111 90919	CHIP,47kΩ ±5% 1/10W	NI05473110
RE07					RG18		4822 111 90919	CHIP,47kΩ ±5% 1/10W	NI05473110
RE08					RG19				
RE09		4822 111 90919	CHIP,47kΩ ±5% 1/10W	NI05473110	RG22		4822 111 90905	CHIP,220Ω ±5% 1/10W	NI05221110
RE10		4822 111 90919	CHIP,47kΩ ±5% 1/10W	NI05473110	RG23				
RE11		4822 111 90922	CHIP,5.6kΩ ±5% 1/10W	NI05562110	RG26				
RE12		4822 111 90922	CHIP,5.6kΩ ±5% 1/10W	NI05562110	RG27		2322 734 63309	CHIP,33Ω ±5% 1/10W	NI05330110
RE13		4822 111 90918	CHIP,4.7kΩ ±5% 1/10W	NI05472110	RG28		2322 734 63309	CHIP,33Ω ±5% 1/10W	NI05330110
RE14		4822 111 90918	CHIP,4.7kΩ ±5% 1/10W	NI05472110	RG41		4822 111 90897	CHIP,1MΩ ±5% 1/10W	NI05105110
RE15		4822 111 90926	CHIP,8.2kΩ ±5% 1/10W	NI05822110	RG51		4822 111 90919	CHIP,47kΩ ±5% 1/10W	NI05473110
RE16		4822 111 90926	CHIP,8.2kΩ ±5% 1/10W	NI05822110	RG52		4822 111 90919	CHIP,47kΩ ±5% 1/10W	NI05473110
RE17		4822 111 90919	CHIP,47kΩ ±5% 1/10W	NI05473110	RG53				
RE18		4822 111 90919	CHIP,47kΩ ±5% 1/10W	NI05473110	RG56				
RE19					RG57				
RE20		4822 111 90905	CHIP,220Ω ±5% 1/10W	NI05221110	RG60		4822 111 90919	CHIP,47kΩ ±5% 1/10W	NI05473110
RE21					RG61		4822 111 90922	CHIP,5.6kΩ ±5% 1/10W	NI05562110
RE22					RG62		4822 111 90922	CHIP,5.6kΩ ±5% 1/10W	NI05562110
RE23					RG63		4822 111 90918	CHIP,4.7kΩ ±5% 1/10W	NI05472110
RE24		4822 111 90918	CHIP,4.7kΩ ±5% 1/10W	NI05472110	RG64		4822 111 90918	CHIP,4.7kΩ ±5% 1/10W	NI05472110
RE25					RG65		4822 111 90926	CHIP,8.2kΩ ±5% 1/10W	NI05822110
RE26		2322 734 63309	CHIP,33Ω ±5% 1/10W	NI05330110	RG66		4822 111 90926	CHIP,8.2kΩ ±5% 1/10W	NI05822110
RE27		2322 734 63309	CHIP,33Ω ±5% 1/10W	NI05330110	RG67		4822 111 90919	CHIP,47kΩ ±5% 1/10W	NI05473110
RE28		4822 111 90893	CHIP,100Ω ±5% 1/10W	NI05101110	RG68		4822 111 90919	CHIP,47kΩ ±5% 1/10W	NI05473110
RE29		4822 111 90893	CHIP,100Ω ±5% 1/10W	NI05101110	RG69				
RE30		4822 111 90893	CHIP,100Ω ±5% 1/10W	NI05101110	RG72				
RE31		4822 111 90897	CHIP,1MΩ ±5% 1/10W	NI05105110	RG73				
RE32		4822 111 90893	CHIP,100Ω ±5% 1/10W	NI05101110	RG76		4822 111 90918	CHIP,4.7kΩ ±5% 1/10W	NI05472110
RE33		4822 111 90893	CHIP,100Ω ±5% 1/10W	NI05101110	RG77		2322 734 63309	CHIP,33Ω ±5% 1/10W	NI05330110
RE34		4822 111 90919	CHIP,47kΩ ±5% 1/10W	NI05473110	RG78		2322 734 63309	CHIP,33Ω ±5% 1/10W	NI05330110
RE35		4822 111 90919	CHIP,47kΩ ±5% 1/10W	NI05473110	RG91		4822 111 90897	CHIP,1MΩ ±5% 1/10W	NI05105110
RE36		4822 111 90919	CHIP,47kΩ ±5% 1/10W	NI05473110	RM01		4822 111 90919	CHIP,47kΩ ±5% 1/10W	NI05473110
RE37		4822 111 90895	CHIP,10kΩ ±5% 1/10W	NI05103110	RM02		4822 111 90919	CHIP,47kΩ ±5% 1/10W	NI05473110
RE38		4822 111 90895	CHIP,10kΩ ±5% 1/10W	NI05103110					
RE39		4822 111 90919	CHIP,47kΩ ±5% 1/10W	NI05473110					
RE40									
RE41		4822 111 90922	CHIP,5.6kΩ ±5% 1/10W	NI05562110					
RE42		4822 111 91369	CHIP,1.5kΩ ±5% 1/10W	NI05152110					
RE43		4822 111 90918	CHIP,4.7kΩ ±5% 1/10W	NI05472110					
RE44		4822 111 90902	CHIP,1.8kΩ ±5% 1/10W	NI05182110					
RE45		4822 111 90926	CHIP,8.2kΩ ±5% 1/10W	NI05822110					
RE46		4822 111 90926	CHIP,8.2kΩ ±5% 1/10W	NI05822110					
RE47		4822 111 90919	CHIP,47kΩ ±5% 1/10W	NI05473110					
RE48		4822 111 90919	CHIP,47kΩ ±5% 1/10W	NI05473110					

NOTE : *nsp* PART IS LISTED FOR REFERENCE ONLY, MARANTZ WILL NOT SUPPLY THESE PARTS.

SR8200

POS. NO	VERS. COLOR	PART NO. (FOR PCS)	DESCRIPTION	PART NO. (MUJ)	POS. NO	VERS. COLOR	PART NO. (FOR PCS)	DESCRIPTION	PART NO. (MUJ)
RM03 }		4822 111 90895	CHIP,10kΩ ±5% 1/10W	NI05103110	QG55 }		4822 130 43818	TRS.2SC2878 A OR BRANK	HT328782A0
RM06 RM07 }		4822 111 90919	CHIP,47kΩ ±5% 1/10W	NI05473110	QG58 QM01 QM03 QM05 }		4822 209 73064	IC,NJM-2068-DD	HC10053090
RM10 RM11 RM12 RM13 RM14 RM15 RM16 RM17 }		4822 111 90919	CHIP,47kΩ ±5% 1/10W	NI05473110	QM08 QM30 QM31 QM32 QM60		4822 209 73064	IC,NJM-2068-DD	HC10053090
RM20 RM21 }		4822 111 90918	CHIP,4.7kΩ ±5% 1/10W	NI05472110	JE11 JE12 JE13		9965 000 12721	TERMINAL, YKC21-4360 1L4P FS BK NI	YT02041360
RM24 RM25 RM26 RM31 RM32 RM33 RM34 RM35 RM36 RM37 RM38 RM39 RM40 RM41 RM42 RM43 RM44 RM61 RM62 RM64 RM65 RM66		2322 734 63309	CHIP,33Ω ±5% 1/10W	NI05330110	LM60		9965 000 01576	RELAY,MR82-24USR	LY20240480
		2322 734 63309	CHIP,33Ω ±5% 1/10W	NI05330110					
		4822 111 90919	CHIP,47kΩ ±5% 1/10W	NI05473110					
		4822 111 90919	CHIP,47kΩ ±5% 1/10W	NI05473110					
		4822 111 90919	CHIP,3.9kΩ ±5% 1/10W	NI05392110					
		4822 111 90919	CHIP,3.9kΩ ±5% 1/10W	NI05392110					
		4822 111 90898	CHIP,12kΩ ±5% 1/10W	NI05123110					
		4822 111 90919	CHIP,47kΩ ±5% 1/10W	NI05473110					
		4822 111 90919	CHIP,47kΩ ±5% 1/10W	NI05473110					
		4822 111 90919	CHIP,47kΩ ±5% 1/10W	NI05473110					
		4822 111 90919	CHIP,47kΩ ±5% 1/10W	NI05473110					
		4822 111 90898	CHIP,12kΩ ±5% 1/10W	NI05123110					
		4822 111 90919	CHIP,47kΩ ±5% 1/10W	NI05473110					
		4822 111 90919	CHIP,47kΩ ±5% 1/10W	NI05473110					
		4822 111 90898	CHIP,12kΩ ±5% 1/10W	NI05123110					
		4822 111 90919	CHIP,47kΩ ±5% 1/10W	NI05473110					
		4822 111 91191	CHIP,330Ω ±5% 1/10W	NI05331110					
		4822 111 91191	CHIP,330Ω ±5% 1/10W	NI05331110					
		4822 111 90918	CHIP,4.7kΩ ±5% 1/10W	NI05472110					
		4822 111 90918	CHIP,4.7kΩ ±5% 1/10W	NI05472110					
		4822 116 90503	CHIP,150Ω ±5% 1/10W	NI05151110					
		4822 116 90503	CHIP,150Ω ±5% 1/10W	NI05151110					
		4822 111 90897	CHIP,1MΩ ±5% 1/10W	NI05105110					
		4822 111 90895	CHIP,10kΩ ±5% 1/10W	NI05103110					
		4822 111 90895	CHIP,10kΩ ±5% 1/10W	NI05103110					
		4822 111 90895	CHIP,10kΩ ±5% 1/10W	NI05103110					
		4822 052 10681	680Ω ±5% 1/6W	GG05681160					
			PG04- SEMICONDUCTORS						
DM60		4822 130 33944	CHIP DIODE,DAN202K	HZ20002210	CF01		4822 124 22571	ELECT.10μF ±20% 50V RA-2	OA10605020
QE01		4822 209 73064	IC,NJM-2068-DD	HC10053090	CF02		4822 124 22571	ELECT.10μF ±20% 50V RA-2	OA10605020
QE03		4822 209 73064	IC,NJM-2068-DD	HC10053090	CF03		4822 124 22571	ELECT.10μF ±20% 50V RA-2	OA10605020
QE04		9965 000 03395	IC,TC9482N	HC10456050	CF04		4822 122 40617	CER.50V DC 0.1μF +80-20%	DD38104010
QE05 }		4822 130 43818	TRS.2SC2878 A OR BRANK	HT328782A0	CF05		4822 124 22571	ELECT.10μF ±20% 50V RA-2	OA10605020
QE08 QE51 QE53 QE54 QE55 }		4822 130 43818	TRS.2SC2878 A OR BRANK	HT328782A0	CF06		4822 124 22571	ELECT.10μF ±20% 50V RA-2	OA10605020
QE58 QG01 QG03 QG05 }		4822 209 73064	IC,NJM-2068-DD	HC10053090	CF07		4822 124 90353	ELECT.100μF ±20% 10V RA-2	OA10701020
QG08 QG51 QG53		4822 209 73064	IC,NJM-2068-DD	HC10053090	CF08		4822 122 40617	CER.50V DC 0.1μF +80-20%	DD38104010
		4822 209 73064	IC,NJM-2068-DD	HC10053090	CF09		4822 124 22571	ELECT.10μF ±20% 50V RA-2	OA10605020
		4822 209 73064	IC,NJM-2068-DD	HC10053090	CF10		4822 124 22571	ELECT.10μF ±20% 50V RA-2	OA10605020
		4822 130 43818	TRS.2SC2878 A OR BRANK	HT328782A0	CF11		4822 124 22571	ELECT.10μF ±20% 50V RA-2	OA10605020
		4822 130 43818	TRS.2SC2878 A OR BRANK	HT328782A0	CF12		4822 124 22571	ELECT.10μF ±20% 50V RA-2	OA10605020
		4822 130 43818	TRS.2SC2878 A OR BRANK	HT328782A0	CF13		4822 124 22571	ELECT.10μF ±20% 50V RA-2	OA10605020
		4822 130 43818	TRS.2SC2878 A OR BRANK	HT328782A0	CF14		4822 122 31205	CER.47pF ±5% CH 50V BLK	DD15470300
		4822 130 43818	TRS.2SC2878 A OR BRANK	HT328782A0	CF15		4822 122 31205	CER.47pF ±5% CH 50V BLK	DD15470300
		4822 130 43818	TRS.2SC2878 A OR BRANK	HT328782A0	CF16		4822 124 90353	ELECT.100μF ±20% 10V RA-2	OA10701020
		4822 130 43818	TRS.2SC2878 A OR BRANK	HT328782A0	CF17		4822 122 40617	CER.50V DC 0.1μF +80-20%	DD38104010
		4822 130 43818	TRS.2SC2878 A OR BRANK	HT328782A0	CF19		4822 122 31205	CER.47pF ±5% CH 50V BLK	DD15470300
		4822 130 43818	TRS.2SC2878 A OR BRANK	HT328782A0	CF20		4822 124 22571	ELECT.10μF ±20% 50V RA-2	OA10605020
		4822 130 43818	TRS.2SC2878 A OR BRANK	HT328782A0	CF21		4822 124 22571	ELECT.10μF ±20% 50V RA-2	OA10605020
		4822 130 43818	TRS.2SC2878 A OR BRANK	HT328782A0	CF22		4822 122 40617	CER.50V DC 0.1μF +80-20%	DD38104010
		4822 130 43818	TRS.2SC2878 A OR BRANK	HT328782A0	CF23		4822 124 90354	ELECT.100μF ±20% 16V RA-2	OA10701620
		4822 130 43818	TRS.2SC2878 A OR BRANK	HT328782A0	CF24		4822 124 41543	ELECT.1μF ±20% 50V RA-2	OA10505020
		4822 130 43818	TRS.2SC2878 A OR BRANK	HT328782A0	CF26		4822 122 40617	CER.50V DC 0.1μF +80-20%	DD38104010
		4822 130 43818	TRS.2SC2878 A OR BRANK	HT328782A0	CF27		4822 122 31205	CER.47pF ±5% CH 50V BLK	DD15470300
		4822 130 43818	TRS.2SC2878 A OR BRANK	HT328782A0	CF28		9965 000 01040	ELECT.470μF ±20% 6.3V RA-2	OA47700620
		4822 130 43818	TRS.2SC2878 A OR BRANK	HT328782A0	CF31		4822 122 40617	CER.50V DC 0.1μF +80-20%	DD38104010
		4822 130 43818	TRS.2SC2878 A OR BRANK	HT328782A0	CF33		4822 122 40617	CER.50V DC 0.1μF +80-20%	DD38104010
		4822 130 43818	TRS.2SC2878 A OR BRANK	HT328782A0	CL01		9965 000 01040	ELECT.470μF ±20% 6.3V RA-2	OA47700620
		4822 130 43818	TRS.2SC2878 A OR BRANK	HT328782A0	CL02		9965 000 01040	ELECT.470μF ±20% 6.3V RA-2	OA47700620
		4822 130 43818	TRS.2SC2878 A OR BRANK	HT328782A0	CL09 }		4822 122 31205	CER.47pF ±5% CH 50V BLK	DD15470300
		4822 130 43818	TRS.2SC2878 A OR BRANK	HT328782A0	CL12		4822 124 22571	ELECT.10μF ±20% 50V RA-2	OA10605020
		4822 130 43818	TRS.2SC2878 A OR BRANK	HT328782A0	CL13		4822 124 22571	ELECT.10μF ±20% 50V RA-2	OA10605020
		4822 130 43818	TRS.2SC2878 A OR BRANK	HT328782A0	CL14		4822 124 22571	ELECT.10μF ±20% 50V RA-2	OA10605020
		4822 130 43818	TRS.2SC2878 A OR BRANK	HT328782A0	CL15		4822 122 40617	CER.50V DC 0.1μF +80-20%	DD38104010

NOTE : *nsp* PART IS LISTED FOR REFERENCE ONLY, MARANTZ WILL NOT SUPPLY THESE PARTS.

SR8200

POS. NO	VERS. COLOR	PART NO. (FOR PCS)	DESCRIPTION	PART NO. (MUJ)	POS. NO	VERS. COLOR	PART NO. (FOR PCS)	DESCRIPTION	PART NO. (MUJ)
CL16		4822 124 22571	ELECT.10μF ±20% 50V RA-2	OA10605020				PL04- RESISTORS	
CL20					RF01		4822 116 81011	CHIP,75Ω ±5% 1/10W	NI05750110
CL21		9965 000 01040	ELECT.470μF ±20% 6.3V RA-2	OA47700620	RF02		4822 111 90894	CHIP,75Ω ±5% 1/10W	NI05102110
CL22		4822 124 22571	ELECT.10μF ±20% 50V RA-2	OA10605020	RF03		4822 111 90894	CHIP,75Ω ±5% 1/10W	NI05102110
CL23		9965 000 01040	ELECT.470μF ±20% 6.3V RA-2	OA47700620	RF04		4822 111 90895	CHIP,10kΩ ±5% 1/10W	NI05103110
CL24		4822 124 90353	ELECT.100μF ±20% 10V RA-2	OA10701020	RF05		4822 116 81011	CHIP,75Ω ±5% 1/10W	NI05750110
CL25		4822 122 40617	CER.50V DC 0.1μF +80-20%	DD38104010	RF06		4822 111 90897	CHIP,1MΩ ±5% 1/10W	NI05105110
CL26		4822 124 90353	ELECT.100μF ±20% 10V RA-2	OA10701020	RF07		4822 111 90897	CHIP,1MΩ ±5% 1/10W	NI05105110
CL27		4822 122 40617	CER.50V DC 0.1μF +80-20%	DD38104010	RF08		4822 111 90892	CHIP,0Ω ±5% 1/10W	NI05000110
CL28		4822 124 22571	ELECT.10μF ±20% 50V RA-2	OA10605020	RF09				
CL29		4822 124 22571	ELECT.10μF ±20% 50V RA-2	OA10605020	RF16		4822 111 90894	CHIP,1kΩ ±5% 1/10W	NI05102110
CL32		4822 124 22571	ELECT.10μF ±20% 50V RA-2	OA10605020	RL01		4822 116 81011	CHIP,75Ω ±5% 1/10W	NI05750110
CL34		4822 124 22571	ELECT.10μF ±20% 50V RA-2	OA10605020	RL02		4822 116 81011	CHIP,75Ω ±5% 1/10W	NI05750110
CL35		4822 122 40617	CER.50V DC 0.1μF +80-20%	DD38104010	RL03		4822 111 90892	CHIP,0Ω ±5% 1/10W	NI05000110
CL36		4822 124 22571	ELECT.10μF ±20% 50V RA-2	OA10605020	RL04		4822 111 90892	CHIP,0Ω ±5% 1/10W	NI05000110
CL37		4822 124 90357	ELECT.2.2μF ±20% 50V RA-2	OA22505020	RL05		4822 116 81011	CHIP,75Ω ±5% 1/10W	NI05750110
CL38		4822 124 22571	ELECT.10μF ±20% 50V RA-2	OA10605020	RL06		4822 111 90892	CHIP,0Ω ±5% 1/10W	NI05000110
CL39		4822 126 11591	CER.24pF ±5% CH 50V BLK	DD15240300	RL07		4822 116 81011	CHIP,75Ω ±5% 1/10W	NI05750110
CL40		5322 122 32143	CER.22pF ±5% CH 50V BLK	DD15220300	RL08		4822 111 90892	CHIP,0Ω ±5% 1/10W	NI05000110
CL42		4822 122 40617	CER.50V DC 0.1μF +80-20%	DD38104010	RL09		4822 116 81011	CHIP,75Ω ±5% 1/10W	NI05750110
CL44		4822 124 41543	ELECT.1μF ±20% 50V RA-2	OA10505020	RL10		4822 111 90892	CHIP,0Ω ±5% 1/10W	NI05000110
CL45		4822 124 41543	ELECT.1μF ±20% 50V RA-2	OA10505020	RL11		4822 116 81011	CHIP,75Ω ±5% 1/10W	NI05750110
CL46		4822 122 40617	CER.50V DC 0.1μF +80-20%	DD38104010	RL12		4822 111 90892	CHIP,0Ω ±5% 1/10W	NI05000110
CL47		4822 124 22571	ELECT.10μF ±20% 50V RA-2	OA10605020	RL13		4822 116 81011	CHIP,75Ω ±5% 1/10W	NI05750110
CL48	/N/S	4822 122 31823	CER.15pF ±5% CH 50V BLK	DD15150300	RL14		4822 111 90892	CHIP,0Ω ±5% 1/10W	NI05000110
CL48	/U	5322 122 32143	CER.22pF ±5% CH 50V BLK	DD15220300	RL15		4822 116 81011	CHIP,75Ω ±5% 1/10W	NI05750110
CL49	/N/S	4822 122 31823	CER.15pF ±5% CH 50V BLK	DD15150300	RL16		4822 116 81011	CHIP,75Ω ±5% 1/10W	NI05750110
CL49	/U	5322 122 32143	CER.22pF ±5% CH 50V BLK	DD15220300	RL18		4822 111 90895	CHIP,10kΩ ±5% 1/10W	NI05103110
CL50		4822 122 31205	CER.47pF ±5% CH 50V BLK	DD15470300	RL19		4822 111 90895	CHIP,10kΩ ±5% 1/10W	NI05103110
CL51		4822 124 22571	ELECT.10μF ±20% 50V RA-2	OA10605020	RL20		4822 111 90895	CHIP,10kΩ ±5% 1/10W	NI05103110
CL52		4822 124 22571	ELECT.10μF ±20% 50V RA-2	OA10605020	RL21		4822 111 90894	CHIP,1kΩ ±5% 1/10W	NI05102110
CL53		4822 124 90353	ELECT.100μF ±20% 10V RA-2	OA10701020	RL22		4822 111 90894	CHIP,1kΩ ±5% 1/10W	NI05102110
CL54		4822 122 40617	CER.50V DC 0.1μF +80-20%	DD38104010	RL23		4822 111 90894	CHIP,1kΩ ±5% 1/10W	NI05102110
CL55		4822 124 41543	ELECT.1μF ±20% 50V RA-2	OA10505020	RL24		4822 111 91192	CHIP,470Ω ±5% 1/10W	NI05471110
CL57		4822 122 40617	CER.50V DC 0.1μF +80-20%	DD38104010	RL25		4822 111 90895	CHIP,10kΩ ±5% 1/10W	NI05103110
CL58		4822 124 90354	ELECT.100μF ±20% 16V RA-2	OA10701620	RL26		4822 111 90896	CHIP,100kΩ ±5% 1/10W	NI05104110
CL59		4822 122 31205	CER.47pF ±5% CH 50V BLK	DD15470300	RL27		4822 111 90895	CHIP,10kΩ ±5% 1/10W	NI05103110
CL60		4822 124 90353	ELECT.100μF ±20% 10V RA-2	OA10701020	RL28		4822 111 90898	CHIP,12kΩ ±5% 1/10W	NI05123110
CL63		4822 122 40617	CER.50V DC 0.1μF +80-20%	DD38104010	RL29		4822 111 90905	CHIP,220Ω ±5% 1/10W	NI05221110
CL64		9965 000 01569	CER.0.01μF DC50V +80% -20%	DD38103010	RL30	/U	4822 111 90897	CHIP,0Ω ±5% 1/10W	NI05000110
CL65		4822 124 22571	ELECT.10μF ±20% 50V RA-2	OA10605020	RL31		4822 111 90897	CHIP,1MΩ ±5% 1/10W	NI05105110
CL66		9965 000 01569	CER.0.01μF DC50V +80% -20%	DD38103010	RL32		4822 111 90892	CHIP,0Ω ±5% 1/10W	NI05000110
CL67		9965 000 01569	CER.0.01μF DC50V +80% -20%	DD38103010	RL33		4822 111 90905	CHIP,220Ω ±5% 1/10W	NI05221110
CL68		4822 124 22571	ELECT.10μF ±20% 50V RA-2	OA10605020	RL35		4822 111 90895	CHIP,10kΩ ±5% 1/10W	NI05103110
CL69		9965 000 01569	CER.0.01μF DC50V +80% -20%	DD38103010	RL36		4822 050 22201	220Ω ±5% 1/2W	GG0522120
CL70		9965 000 01569	CER.0.01μF DC50V +80% -20%	DD38103010	RL37		4822 111 90918	CHIP,4.7kΩ ±5% 1/10W	NI05472110
CL71		4822 124 22571	ELECT.10μF ±20% 50V RA-2	OA10605020	RL38		4822 111 90895	CHIP,10kΩ ±5% 1/10W	NI05103110
CL72		9965 000 01569	CER.0.01μF DC50V +80% -20%	DD38103010	RL39		4822 111 90894	CHIP,1kΩ ±5% 1/10W	NI05102110
CL73		4822 122 30103	CER.0.022μF Z 50V	DK18223310	RL40		4822 111 91077	CHIP,56Ω ±5% 1/10W	NI05560110
CL78		4822 122 40617	CER.50V DC 0.1μF +80-20%	DD38104010	RL41		4822 111 90894	CHIP,1kΩ ±5% 1/10W	NI05102110
CL79		4822 124 22571	ELECT.10μF ±20% 50V RA-2	OA10605020	RL42		4822 111 90895	CHIP,10kΩ ±5% 1/10W	NI05103110
CL80		4822 124 22571	ELECT.10μF ±20% 50V RA-2	OA10605020	RL43		4822 111 90894	CHIP,1kΩ ±5% 1/10W	NI05102110
CL81		4822 124 22571	ELECT.10μF ±20% 50V RA-2	OA10605020	RL44		4822 111 90893	CHIP,100Ω ±5% 1/10W	NI05101110
CL82		4822 122 31205	CER.47pF ±5% CH 50V BLK	DD15470300	RL45		4822 111 90893	CHIP,100Ω ±5% 1/10W	NI05101110
CL85		4822 122 31205	CER.47pF ±5% CH 50V BLK	DD15470300	RL57		4822 111 90895	CHIP,10kΩ ±5% 1/10W	NI05103110
CL87		4822 124 90353	ELECT.100μF ±20% 10V RA-2	OA10701020	RL58				
					RF01		4822 111 90892	CHIP,0Ω ±5% 1/10W	NI05000110
					RF16				
					RL61				
					RL62		4822 116 81011	CHIP,75Ω ±5% 1/10W	NI05750110
					RL63		4822 111 90897	CHIP,1MΩ ±5% 1/10W	NI05105110
					RL64		4822 111 90897	CHIP,1MΩ ±5% 1/10W	NI05105110
					RL68		4822 111 90892	CHIP,0Ω ±5% 1/10W	NI05000110
C***			PL04-CAPACITORS(COMMON) HIGH DIELECTRIC CONSTANT CER.CAPACITOR ±10% 50V : CF25 CL43 CL62 CL83 CL86						

NOTE : *nsp* PART IS LISTED FOR REFERENCE ONLY, MARANTZ WILL NOT SUPPLY THESE PARTS.

SR8200

POS. NO	VERS. COLOR	PART NO. (FOR PCS)	DESCRIPTION	PART NO. (MUJ)	POS. NO	VERS. COLOR	PART NO. (FOR PCS)	DESCRIPTION	PART NO. (MUJ)
RL69		4822 116 81011	CHIP,75Ω ±5% 1/10W	NI05750110				PN14- RN47 CIRCUIT BOARD PN14- RESISTORS VARISTOR,FOR HEAT SENS. 100C BD	HP00029230
RL70		4822 111 90892	CHIP,0Ω ±5% 1/10W	NI05000110					
RL72		4822 111 90894	CHIP,1kΩ ±5% 1/10W	NI05102110	RN47	4822 126 90009			
RL84									
RL85		4822 111 90892	CHIP,0Ω ±5% 1/10W	NI05000110					
			PL04- SEMICONDUCTORS					PN24- RN62 CIRCUIT BOARD PN24- RESISTORS VARISTOR,FOR FAN SENS. 80C BF	HP00042230
DL01		4822 130 33944	CHIP DIODE,DAN202K	HZ20002210	RN62	9965 000 12666			
QF01		9965 000 12718	IC,NJM2534M TAPING TE1	HC10223090				PN54- RN49 CIRCUIT BOARD PN54- RESISTORS VARISTOR,FOR HEAT SENS. 100C BD	HP00029230
QF02		9965 000 03394	IC,NJM2296M TAPING	HC10210090					
QF03		5322 209 13551	IC,NJM2535M TAPING TE1	HC10224090					
QF04		5322 209 11532	IC,74HC4094 16PIN DIP	HC709449B0					
QL01		9965 000 12718	IC,NJM2534M TAPING TE1	HC10223090	RN49	4822 126 90009			
QL02		9965 000 03394	IC,NJM2296M TAPING	HC10210090				PN64- RN86 CIRCUIT BOARD PN64- RESISTORS VARISTOR,FOR FAN SENS. 80C BF	HP00042230
QL03		5322 209 13551	IC,NJM2535M TAPING TE1	HC10224090					
QL04		4822 209 15524	IC,OSD IC LC74781	HC10377030					
QL05		5322 209 13551	IC,NJM2535M TAPING TE1	HC10224090					
QL06		9965 000 12719	IC,BA7622F TAPING-E2	HC10221210					
QL07		5322 209 11532	IC,74HC4094 16PIN DIP	HC709449B0	RN86	9965 000 12666		PP04- AUX CIRCUIT BOARD PP04- CAPACITORS CER.470pF	DA16471110
QL08		4822 130 41947	TRS.C2458,C1740S,C3199,ETC	HT30001000	CP01	4822 126 11127			
QL09		4822 130 42715	TRS.A1048,A933S,A1267,ETC.	HT10001000	CP02	4822 126 11127			
QL10		4822 130 41947	TRS.C2458,C1740S,C3199,ETC	HT30001000	CP03	4822 122 40617			
QL11		4822 130 61227	DIG.TRS.DTA114ES/UN4111 10K,10K	BA10001000	CP04	4822 122 40617			
QL12		4822 130 41947	TRS.C2458,C1740S,C3199,ETC	HT30001000	CP05	4822 122 40617		CER.50V DC 0.1μF +80-20%	DD38104010
QL13		4822 130 60588	DIG.TRS.DTC114ES/UN4211 10K,10K	BA20001000	CP05	4822 122 40617			
QL14		4822 130 41947	TRS.C2458,C1740S,C3199,ETC	HT30001000	CP05	4822 124 22571		ELECT.10μF ±20% 50V RA-2	OA10605020
QL15		4822 130 41947	TRS.C2458,C1740S,C3199,ETC	HT30001000	CP08	4822 124 22571			
QL16		4822 130 60588	DIG.TRS.DTC114ES/UN4211 10K,10K	BA20001000	CP09	4822 122 40617		CER.50V DC 0.1μF +80-20%	DD38104010
QL17	/S/U		DIG.TRS.DTA114ES/UN4111 10K,10K	BA10001000	CP11	4822 124 22571			
QL18	/N/S	4822 130 61189	DIG.TRS.DTC114TS/UN4215 10K	BA20004000	CP14	4822 124 22571		ELECT.10μF ±20% 50V RA-2	OA10605020
QL19	/N/S	4822 130 61189	DIG.TRS.DTC114TS/UN4215 10K	BA20004000	CP16	4822 126 11558			
QL20	/N/S	4822 130 61227	DIG.TRS.DTA114ES/UN4111 10K,10K	BA10001000	CP17	4822 124 90353		ELECT.100μF ±20% 10V RA-2	OA10701020
QL21		4822 209 30426	IC,CMOS 74HC00 FLAT TAPING	HC700000Z0	CP18	4822 122 40617			
QL22		9965 000 12720	CHIP TR.(2SC),2SC1622AD17	HX316221A0	RP11	4822 111 41355		PP04- RESISTORS 75Ω ±5% 1/6W	GD05750160
					RP12	4822 111 41355			
					RP14	4822 111 41355			
			PL04- MISCELLANEOUS					PP04- RESISTORS(COMMON) CARBON FILM FIXED RES. ±5% 1/6W : RP01-RP06 RP16	
JL01		9965 000 12715	TERMINAL, YKC21-3893 1L1 FS NI	YT02011700	R***				
JL02		9965 000 12716	TERMINAL, YKC21-4101 2L2 FS NI	YT02021720					
JL03		9965 000 03415	TERMINAL, 14X14 RA 1L3P YEL NI F-GROUND	YT02030590					
JL04		9965 000 12717	TERMINAL, YKC21-4344 1L4 FG NI	YT02041320	QP01	4822 209 83631			
LL01		4822 242 73843	EMI FILTER,DSS306-91-F-223Z	FM12223010	JP01	9965 000 12658		PP04- SEMICONDUCTORS IC,NJM4558D-D	HC10008090
LL02		4822 242 73843	EMI FILTER,DSS306-91-F-223Z	FM12223010	JP02	9965 000 01347			
LL03		4822 242 73843	EMI FILTER,DSS306-91-F-223Z	FM12223010				PP04- MISCELLANEOUS OPT.CONNECTOR,JFJ400	YJ15000200
LL04		9965 000 03404	CHIP INDUCTANCE, NL252018 33UH	LU15333010					
XL01		4822 242 80288	CRYSTAL, AT49/ 14.31818MHZ(TP)	JX14001260				PP94- H.P. CIRCUIT BOARD PP94- CAPACITORS CER.50V DC 0.1μF +80-20%	DD38104010
XL02	/N/S	4822 242 73903	CRYSTAL, AT49 17.7MHZ	JX17001260	CP93	4822 122 40617			
					JP99	4822 265 10685		PP94- MISCELLANEOUS JACK,HLJ2307-01-3160	YJ01004240

NOTE : *nsp* PART IS LISTED FOR REFERENCE ONLY, MARANTZ WILL NOT SUPPLY THESE PARTS.

SR8200

POS. NO	VERS. COLOR	PART NO. (FOR PCS)	DESCRIPTION	PART NO. (MUJ)	POS. NO	VERS. COLOR	PART NO. (FOR PCS)	DESCRIPTION	PART NO. (MUJ)
			PQ04- A-FUNCTION-V CIRCUIT BO						
			PQ04- CAPACITORS						
CQ07		4822 126 11127	CER.470pF	DA16471110	CS28		4822 124 22571	ELECT.10µF ±20% 50V RA-2	OA10605020
CQ08		4822 126 11127	CER.470pF	DA16471110	CS31		4822 124 22571	ELECT.10µF ±20% 50V RA-2	OA10605020
CQ13		4822 126 11127	CER.470pF	DA16471110	CS32		4822 124 22571	ELECT.10µF ±20% 50V RA-2	OA10605020
CQ14		4822 126 11127	CER.470pF	DA16471110	CS35		4822 122 40617	CER.50V DC 0.1µF +80-20%	DD38104010
CQ19		4822 126 11127	CER.470pF	DA16471110	CS36		4822 122 40617	CER.50V DC 0.1µF +80-20%	DD38104010
CQ20		4822 126 11127	CER.470pF	DA16471110	CS37				
CQ25		4822 126 11127	CER.470pF	DA16471110	}		4822 124 22571	ELECT.10µF ±20% 50V RA-2	OA10605020
CQ26		4822 126 11127	CER.470pF	DA16471110	CS40				
CQ25		4822 126 11127	CER.470pF	DA16471110	CS41				
CQ26		4822 126 11127	CER.470pF	DA16471110	}		4822 122 40617	CER.50V DC 0.1µF +80-20%	DD38104010
CQ31		4822 126 11127	CER.470pF	DA16471110	CS45				
CQ32		4822 126 11127	CER.470pF	DA16471110	CS51		4822 124 90354	ELECT.100µF ±20% 16V RA-2	OA10701620
CQ39		4822 124 22571	ELECT.10µF ±20% 50V RA-2	OA10605020	CS52		4822 124 90354	ELECT.100µF ±20% 16V RA-2	OA10701620
CQ40		4822 124 22571	ELECT.10µF ±20% 50V RA-2	OA10605020					
CQ43		4822 124 22571	ELECT.10µF ±20% 50V RA-2	OA10605020	C***				
CQ44		4822 124 22571	ELECT.10µF ±20% 50V RA-2	OA10605020				PS04-CAPACITORS(COMMON)	
CQ48		4822 122 40617	CER.50V DC 0.1µF +80-20%	DD38104010				HIGH DIELECTRIC CONSTANT	
CQ49		4822 122 40617	CER.50V DC 0.1µF +80-20%	DD38104010				CER.CAPACITOR ±10% 50V :	
CQ50								CS25 CS26 CS29 CS30 CS43	
}		4822 124 22571	ELECT.10µF ±20% 50V RA-2	OA10605020				CS46-CS50	
CQ53								PS04- RESISTORS	
CQ54					RS09		4822 111 90893	CHIP,100Ω ±5% 1/10W	NI05101110
}		4822 122 40617	CER.50V DC 0.1µF +80-20%	DD38104010	RS10		4822 111 90893	CHIP,100Ω ±5% 1/10W	NI05101110
CQ58					RS11		4822 111 90912	CHIP,270kΩ ±5% 1/10W	NI05274110
CQ64		4822 124 90354	ELECT.100µF ±20% 16V RA-2	OA10701620	RS12		4822 111 90912	CHIP,270kΩ ±5% 1/10W	NI05274110
CQ65		4822 124 90354	ELECT.100µF ±20% 16V RA-2	OA10701620	RS13		4822 111 90892	CHIP,0Ω ±5% 1/10W	NI05000110
					RS14		4822 111 90892	CHIP,0Ω ±5% 1/10W	NI05000110
					RS17		4822 111 90893	CHIP,100Ω ±5% 1/10W	NI05101110
C***			PQ04-CAPACITORS(COMMON)		RS18		4822 111 90893	CHIP,100Ω ±5% 1/10W	NI05101110
			HIGH DIELECTRIC CONSTANT		RS19		4822 111 90912	CHIP,270kΩ ±5% 1/10W	NI05274110
			CER.CAPACITOR ±10% 50V :		RS20		4822 111 90912	CHIP,270kΩ ±5% 1/10W	NI05274110
			CQ37 CQ38 CQ41 CQ42 CQ56		RS21		4822 111 90892	CHIP,0Ω ±5% 1/10W	NI05000110
			CQ59 CQ60-CQ63		RS22		4822 111 90892	CHIP,0Ω ±5% 1/10W	NI05000110
					RS25		4822 111 90893	CHIP,100Ω ±5% 1/10W	NI05101110
					RS26		4822 111 90893	CHIP,100Ω ±5% 1/10W	NI05101110
R***			PQ04- RESISTORS(COMMON)		RS27		4822 111 90912	CHIP,270kΩ ±5% 1/10W	NI05274110
			CARBON FILM FIXED RES.		RS28		4822 111 90912	CHIP,270kΩ ±5% 1/10W	NI05274110
			±5% 1/6W : RQ09-RQ12		RS29		4822 111 90892	CHIP,0Ω ±5% 1/10W	NI05000110
			RQ17-RQ20 RQ25-RQ28		RS30		4822 111 90892	CHIP,0Ω ±5% 1/10W	NI05000110
			RQ33-RQ36 RQ41-RQ44		RS33		4822 111 90894	CHIP,1kΩ ±5% 1/10W	NI05102110
			RQ49-RQ64		RS34		4822 111 90894	CHIP,1kΩ ±5% 1/10W	NI05102110
					RS35		4822 111 90919	CHIP,47kΩ ±5% 1/10W	NI05473110
QQ01		4822 209 16842	IC,NJU7312L ANALOG SWI TCH	HC10124090	RS36		4822 111 90919	CHIP,47kΩ ±5% 1/10W	NI05473110
QQ02		4822 209 16842	IC,NJU7312L ANALOG SWI TCH	HC10124090	RS37		4822 111 90894	CHIP,1kΩ ±5% 1/10W	NI05102110
QQ03		4822 209 83274	IC,NJM4560D-D	HC10021090	RS38		4822 111 90894	CHIP,1kΩ ±5% 1/10W	NI05102110
					RS39		4822 111 90919	CHIP,47kΩ ±5% 1/10W	NI05473110
JQ01		9965 000 03416	TERMINAL, 14X14 RA 2L4	YT02041270	RS40		4822 111 90919	CHIP,47kΩ ±5% 1/10W	NI05473110
			WH+RE NI F-GROUND		RS41		4822 111 90912	CHIP,270kΩ ±5% 1/10W	NI05274110
JQ02		9965 000 03417	TERMINAL, 14X14 RA 2L6	YT02060660	RS42		4822 111 90912	CHIP,270kΩ ±5% 1/10W	NI05274110
			WH+RE NI F-GROUND		RS43		4822 111 90919	CHIP,47kΩ ±5% 1/10W	NI05473110
JQ03		9965 000 03416	TERMINAL, 14X14 RA 2L4	YT02041270	RS44		4822 111 90919	CHIP,47kΩ ±5% 1/10W	NI05473110
			WH+RE NI F-GROUND		RS46		4822 111 90892	CHIP,0Ω ±5% 1/10W	NI05000110
					RS49		4822 111 90893	CHIP,100Ω ±5% 1/10W	NI05101110
					RS51		4822 111 90892	CHIP,0Ω ±5% 1/10W	NI05000110
					RS54		4822 111 90893	CHIP,100Ω ±5% 1/10W	NI05101110
CS07		4822 126 11127	CER.470pF	DA16471110	RS55		4822 111 90893	CHIP,100Ω ±5% 1/10W	NI05101110
CS08		4822 126 11127	CER.470pF	DA16471110	RS56		4822 111 90893	CHIP,100Ω ±5% 1/10W	NI05101110
CS13		4822 126 11127	CER.470pF	DA16471110					
CS14		4822 126 11127	CER.470pF	DA16471110					
CS19		4822 126 11127	CER.470pF	DA16471110					
CS20		4822 126 11127	CER.470pF	DA16471110					
CS27		4822 124 22571	ELECT.10µF ±20% 50V RA-2	OA10605020					
								PS04- SEMICONDUCTORS	
					QS01		4822 209 16843	IC,NJU7313L ANALOG SWI TCH	HC10125090
					QS02		4822 209 16843	IC,NJU7313L ANALOG SWI TCH	HC10125090
					QS03		4822 209 83357	IC,NJM4560M	HC10029090

NOTE : *nsp* PART IS LISTED FOR REFERENCE ONLY, MARANTZ WILL NOT SUPPLY THESE PARTS.

SR8200

POS. NO	VERS. COLOR	PART NO. (FOR PCS)	DESCRIPTION	PART NO. (MUJ)	POS. NO	VERS. COLOR	PART NO. (FOR PCS)	DESCRIPTION	PART NO. (MUJ)
JS01		9965 000 03416	PS04- MISCELLANEOUS TERMINAL, 14X14 RA 2L4 WH+RE NI F-GROUND	YT02041270	JS70		9965 000 12714	PS54- MISCELLANEOUS TERMINAL, YKC21-3925 2L4P FG BK NI	YT02041350
JS02		9965 000 03417	TERMINAL, 14X14 RA 2L6 WH+RE NI F-GROUND	YT02060660	JS71		9965 000 12714	TERMINAL, YKC21-3925 2L4P FG BK NI	YT02041350
			PS54- MULTI CH INPUT CIRCUIT BOARD PS54- CAPACITORS					PX04- S-VIDEO CIRCUIT BOARD PX04- CAPACITORS	
CQ71		4822 126 11127	CER.470pF	DA16471110	CX05				
CQ72		4822 126 11127	CER.470pF	DA16471110	∫	4822 122 31205	CER.47pF ±5% CH 50V BLK		DD15470300
CQ73		4822 124 22571	ELECT.10µF ±20% 50V RA-2	OA10605020	CX08				
CQ74		4822 124 22571	ELECT.10µF ±20% 50V RA-2	OA10605020	CX09	9965 000 01040	ELECT.470µF ±20% 6.3V RA-2		OA47700620
CQ75		4822 122 40617	CER.50V DC 0.1µF +80-20%	DD38104010	CX10	4822 124 90358	ELECT.22µF ±20% 16V RA-2		OA22601620
CQ76		4822 122 40617	CER.50V DC 0.1µF +80-20%	DD38104010	CX11	9965 000 01040	ELECT.470µF ±20% 6.3V RA-2		OA47700620
CQ77		4822 124 22571	ELECT.10µF ±20% 50V RA-2	OA10605020	CX12	4822 124 90358	ELECT.22µF ±20% 16V RA-2		OA22601620
CQ78		4822 124 22571	ELECT.10µF ±20% 50V RA-2	OA10605020	CX25				
CQ79		4822 126 11127	CER.470pF	DA16471110	∫	4822 124 22571	ELECT.10µF ±20% 50V RA-2		OA10605020
CQ81		4822 124 22571	ELECT.10µF ±20% 50V RA-2	OA10605020	CX34				
CQ82		4822 124 22571	ELECT.10µF ±20% 50V RA-2	OA10605020	CX35	9965 000 01040	ELECT.470µF ±20% 6.3V RA-2		OA47700620
CQ83		4822 122 40617	CER.50V DC 0.1µF +80-20%	DD38104010	CX36	4822 124 90358	ELECT.22µF ±20% 16V RA-2		OA22601620
CQ84		4822 122 40617	CER.50V DC 0.1µF +80-20%	DD38104010	CX37	4822 124 22571	ELECT.10µF ±20% 50V RA-2		OA10605020
CQ85		4822 124 22571	ELECT.10µF ±20% 50V RA-2	OA10605020	CX38	4822 124 22571	ELECT.10µF ±20% 50V RA-2		OA10605020
CQ86		4822 124 22571	ELECT.10µF ±20% 50V RA-2	OA10605020	CX39	9965 000 01040	ELECT.470µF ±20% 6.3V RA-2		OA47700620
CQ87		4822 122 40617	CER.50V DC 0.1µF +80-20%	DD38104010	CX40	4822 124 90358	ELECT.22µF ±20% 16V RA-2		OA22601620
CS71		4822 126 11127	CER.470pF	DA16471110	CX41	4822 122 30043	CER.0.01µF Z 50V		DK18103310
CS72		4822 126 11127	CER.470pF	DA16471110	CX42	4822 124 22571	ELECT.10µF ±20% 50V RA-2		OA10605020
CS73		4822 124 22571	ELECT.10µF ±20% 50V RA-2	OA10605020	CX44	4822 124 22571	ELECT.10µF ±20% 50V RA-2		OA10605020
CS74		4822 124 22571	ELECT.10µF ±20% 50V RA-2	OA10605020	CX45	4822 124 90353	ELECT.100µF ±20% 10V RA-2		OA10701020
CS75		4822 122 40617	CER.50V DC 0.1µF +80-20%	DD38104010	CX46	4822 122 40617	CER.50V DC 0.1µF +80-20%		DD38104010
CS76		4822 122 40617	CER.50V DC 0.1µF +80-20%	DD38104010	CX48	4822 124 90353	ELECT.100µF ±20% 10V RA-2		OA10701020
CS77		4822 124 22571	ELECT.10µF ±20% 50V RA-2	OA10605020	CX49	4822 122 40617	CER.50V DC 0.1µF +80-20%		DD38104010
CS78		4822 124 22571	ELECT.10µF ±20% 50V RA-2	OA10605020	CX51	4822 122 31205	CER.47pF ±5% CH 50V BLK		DD15470300
CS79		4822 126 11127	CER.470pF	DA16471110	CX53	4822 124 22571	ELECT.10µF ±20% 50V RA-2		OA10605020
CS80		4822 126 11127	CER.470pF	DA16471110	CX54	4822 124 22571	ELECT.10µF ±20% 50V RA-2		OA10605020
CS81		4822 124 22571	ELECT.10µF ±20% 50V RA-2	OA10605020	CX55	4822 122 30043	CER.0.01µF Z 50V		DK18103310
CS82		4822 124 22571	ELECT.10µF ±20% 50V RA-2	OA10605020	CX56	4822 124 22571	ELECT.10µF ±20% 50V RA-2		OA10605020
CS83		4822 122 40617	CER.50V DC 0.1µF +80-20%	DD38104010	CX57	4822 122 30043	CER.0.01µF Z 50V		DK18103310
CS84		4822 122 40617	CER.50V DC 0.1µF +80-20%	DD38104010	CX58	4822 124 22571	ELECT.10µF ±20% 50V RA-2		OA10605020
CS85		4822 124 22571	ELECT.10µF ±20% 50V RA-2	OA10605020	CX61	4822 122 30043	CER.0.01µF Z 50V		DK18103310
CS86		4822 124 22571	ELECT.10µF ±20% 50V RA-2	OA10605020	CX62	4822 124 22571	ELECT.10µF ±20% 50V RA-2		OA10605020
CS87		4822 122 40617	CER.50V DC 0.1µF +80-20%	DD38104010	CX64	4822 124 22571	ELECT.10µF ±20% 50V RA-2		OA10605020
CS88		4822 122 40617	CER.50V DC 0.1µF +80-20%	DD38104010	CX65	4822 124 90353	ELECT.100µF ±20% 10V RA-2		OA10701020
CS89		4822 122 40617	CER.50V DC 0.1µF +80-20%	DD38104010	CX66	4822 122 40617	CER.50V DC 0.1µF +80-20%		DD38104010
CS95		4822 124 90354	ELECT.100µF ±20% 16V RA-2	OA10701620	CX68	4822 124 90353	ELECT.100µF ±20% 10V RA-2		OA10701020
CS96		4822 124 90354	ELECT.100µF ±20% 16V RA-2	OA10701620	CX69	4822 122 30043	CER.0.01µF Z 50V		DK18103310
C***			PS54-CAPACITORS(COMMON) HIGH DIELECTRIC CONSTANT CER.CAPACITOR ±10% 50V : CQ80 CS90-CS94		CX71	4822 122 31205	CER.47pF ±5% CH 50V BLK		DD15470300
					CX72	4822 124 22571	ELECT.10µF ±20% 50V RA-2		OA10605020
					CX73	4822 122 30043	CER.0.01µF Z 50V		DK18103310
					CX74	4822 124 22571	ELECT.10µF ±20% 50V RA-2		OA10605020
					CX75	4822 124 22571	ELECT.10µF ±20% 50V RA-2		OA10605020
					CX79	4822 124 90354	ELECT.100µF ±20% 16V RA-2		OA10701620
					CX80	4822 124 41543	ELECT.1µF ±20% 50V RA-2		OA10505020
R***			PS54- RESISTORS(COMMON) CARBON FILM FIXED RES. ±5% 1/6W : RQ71-RQ74 RQ77-RQ86 RS71-RS74 RS77-RS82 RS85-RS89		CX81	4822 124 22571	ELECT.10µF ±20% 50V RA-2		OA10605020
					CX82	4822 122 40588	CER.0.022µF TP050F223Z		DA17223110
					CX83	4822 124 90354	ELECT.100µF ±20% 16V RA-2		OA10701620
					CX84	4822 122 30043	CER.0.01µF Z 50V		DK18103310
					CX85	4822 124 22571	ELECT.10µF ±20% 50V RA-2		OA10605020
					CX86	4822 122 30043	CER.0.01µF Z 50V		DK18103310
QQ71		4822 209 73064	IC,NJM-2068-DD	HC10053090	CX87	4822 122 30043	CER.0.01µF Z 50V		DK18103310
QQ72		4822 209 73064	IC,NJM-2068-DD	HC10053090	CX88	4822 124 22571	ELECT.10µF ±20% 50V RA-2		OA10605020
QS70		4822 209 16149	IC,NJU7311L ANALOG SWI TCH	HC10123090	CX89	4822 122 30043	CER.0.01µF Z 50V		DK18103310
QS71		4822 209 73064	IC,NJM-2068-DD	HC10053090	CX91	4822 126 12696	CER.20pF ±5% CH 50V BLK		DD15200300
QS72		4822 209 73064	IC,NJM-2068-DD	HC10053090	CX92	4822 126 12696	CER.20pF ±5% CH 50V BLK		DD15200300

NOTE : *nsp* PART IS LISTED FOR REFERENCE ONLY, MARANTZ WILL NOT SUPPLY THESE PARTS.

SR8200

POS. NO	VERS. COLOR	PART NO. (FOR PCS)	DESCRIPTION	PART NO. (MUJ)	POS. NO	VERS. COLOR	PART NO. (FOR PCS)	DESCRIPTION	PART NO. (MUJ)
CX93		4822 122 31205	CER.47pF ±5% CH 50V BLK	DD15470300	C876		4822 122 30043	CER.0.01µF Z 50V	DK18103310
RX01		4822 111 41355	PX04- RESISTORS 75Ω ±5% 1/6W	GD05750160	C877		4822 122 30043	CER.0.01µF Z 50V	DK18103310
RX04									
RX07		4822 111 41355	75Ω ±5% 1/6W	GD05750160	C878		4822 124 90354	ELECT.100µF ±20% 16V RA-2	OA10701620
RX20									
RX29		4822 111 41355	75Ω ±5% 1/6W	GD05750160	C879		4822 124 90354	ELECT.100µF ±20% 16V RA-2	OA10701620
RX37		4822 111 41355	75Ω ±5% 1/6W	GD05750160	C901	/N	5322 124 21731	ELECT.10µF ±20% 50V RA-2	OA10605020
RX40									
R***			PX04- RESISTORS(COMMON) CARBON FILM FIXED RES. ±5% 1/6W : RX28 RX30-RX34 RX36		C901	/S	4822 122 30043	CER.0.01µF Z 50V	DK18103310
			PX04- SEMICONDUCTORS		C902	/N/S	4822 122 30043	CER.0.01µF Z 50V	DK18103310
QX01		4822 209 32861	IC,NJM2234D DIP TYPE	HC10143090	C903	/N	5322 124 21731	ELECT.10µF ±20% 50V RA-2	OA10605020
QX02		9965 000 09133	IC,VIDEO SW NJM2296D 5IN 3OUT	HC10217090	C907		4822 126 10364	CER.100pF UP050B101K-A	DA16101110
QX03		4822 209 32861	IC,NJM2234D DIP TYPE	HC10143090	C910	/N		5322 124 21731	ELECT.10µF ±20% 50V RA-2
QX04		9965 000 09133	IC,VIDEO SW NJM2296D 5IN 3OUT	HC10217090	C912	/S		ELECT.10µF ±20% 50V RA-2	OA10605020
QX05		9965 000 12724	IC,NJM2249D	HC10221090	C913	/N/S	4822 122 40586	CER.10000pF	DA17103110
QX06		9965 000 12725	IC,NJM2235D	HC10222090	C914	/N/S	5322 122 32143	CER.22pF ±5% CH 50V BLK	DD15220300
QX07		9965 000 12726	IC,BA7622 DIP	HC102220210	C915	/N/S	4822 122 30045	CER.27pF ±5% CH 50V BLK	DD15270300
JX01		4822 265 20725	PX04- MISCELLANEOUS 2P S TERMINAL	YT02021320	C951	/N	4822 124 80067	ELECT.4.7µF ±20% 50V RA-2	OA47505020
JX02		4822 265 10678	TERMINAL, YKF51-5506	YT02011010	C951	/S		ELECT.4.7µF ±20% 50V RA-2	OA47505020
JX03		4822 265 31302	3P S TERMINAL	YT02030350	C952	/N	4822 124 80067	ELECT.4.7µF ±20% 50V RA-2	OA47505020
JX04		4822 265 31302	3P S TERMINAL	YT02030350	C955	/N	4822 124 80067	ELECT.4.7µF ±20% 50V RA-2	OA47505020
LX01		4822 242 73843	EMI FILTER,DSS306-91-F-223Z	FM12223010	C955	/S		ELECT.4.7µF ±20% 50V RA-2	OA47505020
LX02		4822 242 73843	EMI FILTER,DSS306-91-F-223Z	FM12223010	C956	/N	4822 124 80067	ELECT.4.7µF ±20% 50V RA-2	OA47505020
C851		4822 122 30043	PY04- CONNECTOR CIRCUIT BOARD		C956	/S		ELECT.4.7µF ±20% 50V RA-2	OA47505020
C852		4822 122 30043	PY04- CAPACITORS CER.0.01µF Z 50V	DK18103310	C957	/N	4822 124 80067	ELECT.4.7µF ±20% 50V RA-2	OA47505020
C853		4822 124 22695	ELECT.2200µF ±20% 35V RA-2	OA22803520	C957	/S/U		ELECT.4.7µF ±20% 50V RA-2	OA47505020
C854		4822 124 22695	ELECT.2200µF ±20% 35V RA-2	OA22803520	C958	/N	4822 124 80067	ELECT.4.7µF ±20% 50V RA-2	OA47505020
C855		4822 122 30043	CER.0.01µF Z 50V	DK18103310	C958	/S/U		ELECT.4.7µF ±20% 50V RA-2	OA47505020
C858									
C859		4822 124 90354	ELECT.100µF ±20% 16V RA-2	OA10701620	C959	/N/S	4822 122 30043	CER.0.01µF Z 50V	DK18103310
C860		4822 124 90354	ELECT.100µF ±20% 16V RA-2	OA10701620	C960	/N/S	4822 122 30043	CER.0.01µF Z 50V	DK18103310
C861		4822 122 30043	CER.0.01µF Z 50V	DK18103310	CM81		4822 122 40617	CER.50V DC 0.1µF +80-20%	DD38104010
C862		4822 122 30043	CER.0.01µF Z 50V	DK18103310	CM85				
C863		4822 122 30043	ELECT.,22000µF 10V	EA22901010	CT01		4822 126 10364	CER.100pF UP050B101K-A	DA16101110
C864		4822 124 22695	ELECT.2200µF ±20% 35V RA-2	OA22803520	CT04		4822 126 10364	CER.100pF UP050B101K-A	DA16101110
C865		4822 122 30043	CER.0.01µF Z 50V	DK18103310	CT05		4822 126 10364	CER.100pF UP050B101K-A	DA16101110
C868									
C869		4822 124 90354	ELECT.100µF ±20% 16V RA-2	OA10701620	CT06		4822 126 10364	CER.100pF UP050B101K-A	DA16101110
C870		4822 124 90354	ELECT.100µF ±20% 16V RA-2	OA10701620	CT07		4822 122 30043	CER.0.01µF Z 50V	DK18103310
C871		4822 122 30043	CER.0.01µF Z 50V	DK18103310	CT08		4822 122 30043	CER.0.01µF Z 50V	DK18103310
C872		4822 122 30043	CER.0.01µF Z 50V	DK18103310	CT09		4822 124 90354	ELECT.100µF ±20% 16V RA-2	OA10701620
C873		4822 124 90354	ELECT.100µF ±20% 16V RA-2	OA10701620	CW01		4822 124 22571	ELECT.10µF ±20% 50V RA-2	OA10605020
C874		4822 124 90353	ELECT.100µF ±20% 10V RA-2	OA10701020	CW02		4822 124 22571	ELECT.10µF ±20% 50V RA-2	OA10605020
C875		4822 124 90354	ELECT.100µF ±20% 16V RA-2	OA10701620	CW03	/N/S	4822 122 31205	CER.47pF ±5% CH 50V BLK	DD15470300
					CW04	/N/S	4822 122 31205	CER.47pF ±5% CH 50V BLK	DD15470300
					CW05		4822 124 22571	ELECT.10µF ±20% 50V RA-2	OA10605020
					CW06		4822 124 22571	ELECT.10µF ±20% 50V RA-2	OA10605020
					CW07		4822 122 30043	CER.0.01µF Z 50V	DK18103310
					CW08		4822 122 30043	CER.0.01µF Z 50V	DK18103310
					CW31		4822 124 22571	ELECT.10µF ±20% 50V RA-2	OA10605020
					CW32		4822 124 22571	ELECT.10µF ±20% 50V RA-2	OA10605020
					CW35		4822 124 22571	ELECT.10µF ±20% 50V RA-2	OA10605020
					CW36		4822 124 22571	ELECT.10µF ±20% 50V RA-2	OA10605020
					CW37		4822 122 30043	CER.0.01µF Z 50V	DK18103310
					CW38		4822 122 30043	CER.0.01µF Z 50V	DK18103310
					CY01		4822 122 30043	CER.0.01µF Z 50V	DK18103310
					C***			PY04-CAPACITORS(COMMON) HIGH DIELECTRIC CONSTANT CER.CAPACITOR ±10% 50V : C904-C906[/N/S] C953[/N/S] C954[/N/S] CM83 CM86 CT02 CT03	

NOTE : *nsp* PART IS LISTED FOR REFERENCE ONLY, MARANTZ WILL NOT SUPPLY THESE PARTS.

SR8200

POS. NO	VERS. COLOR	PART NO. (FOR PCS)	DESCRIPTION	PART NO. (MJJ)	POS. NO	VERS. COLOR	PART NO. (FOR PCS)	DESCRIPTION	PART NO. (MJJ)
R851		4822 050 21501	PY04- RESISTORS 150Ω ±5% 1/4W	GG05151140	QY01		9965 000 12340	IC,TC74HC368AP	HC736805B0
R852		4822 116 82805	1Ω 1W	GG05010160				PY04- MISCELLANEOUS	
R***			PY04- RESISTORS(COMMON) CARBON FILM FIXED RES. ±5% 1/6W : R901-R904[/N/S] R951-R958[/N/S] R959-R962 RM81 RM83-RM85 RT01 RT02 RW01-RW04 RW31-RW34		▲ F851	/N/S	4822 071 52002	FUSE,T2.0A 250V TR5	FS20200200
			PY04- SEMICONDUCTORS		▲ F851	/U		FUSE,T2A 250V TR5 NO.19374	FS20200210
▲ D851					▲ F852	/N/S	4822 071 52002	FUSE,T2A 250V TR5	FS20200200
▲ }		4822 130 82421	DIODE,1D3 1A/200V	HD20002710	▲ F852	/U		FUSE,T2A 250V TR5 NO.19374	FS20200210
▲ D858					▲ F853	/N/S	4822 071 52002	FUSE,T2.0A 250V TR5	FS20200200
D859		4822 130 81247	DIODE,1GWJ43	HD20031050	▲ F853	/U		FUSE,T2A 250V TR5 NO.19374	FS20200210
D860		4822 130 82421	DIODE,1D3 1A/200V	HD20002710	▲ F854	/N/S	4822 071 52002	FUSE,T2.0A 250V TR5	FS20200200
▲ D861		4822 130 33057	DIODE,S2VB20	HE20011290	▲ F854	/U		FUSE,T2A 250V TR5 NO.19374	FS20200210
D862		4822 130 82421	DIODE,1D3 1A/200V	HD20002710	L901	/N/S	4822 242 73843	EMI FILTER,DSS306-91-F-223Z	FM12223010
D863		4822 130 82421	DIODE,1D3 1A/200V	HD20002710	L911	/N/S	4822 242 73843	EMI FILTER,DSS306-91-F-223Z	FM12223010
D864		4822 130 82421	DIODE,1D3 1A/200V	HD20002710	LT05		4822 242 73843	EMI FILTER,DSS306-91-F-223Z	FM12223010
▲ D865		4822 130 81157	ZENER,MTZJ3.0B	HD30301000	LT06		4822 242 73843	EMI FILTER,DSS306-91-F-223Z	FM12223010
D866		4822 130 82421	DIODE,1D3 1A/200V	HD20002710	X901	/N/S	4822 242 10857	CRYSTAL,4.332MHZ,AT-49	JX04003260
D867		4822 130 82421	DIODE,1D3 1A/200V	HD20002710					
D868		4822 130 82421	DIODE,1D3 1A/200V	HD20002710					
DM81									
}		4822 130 32362	DIODE,1SS176,MA165,1SS254 30V 0.1A	HD20002000					
DM93									
DM94	/N/S	4822 130 32362	DIODE,1SS176,MA165,1SS254 30V 0.1A	HD20002000					
DT01		4822 130 82421	DIODE,1D3 1A/200V	HD20002710					
▲ Q851		4822 209 83317	IC,NJM7815FA +15V 1A	HC38915090					
▲ Q852		4822 209 31864	IC,NJM7915FA	HC39915090					
▲ Q853		4822 209 31631	IC,NJM7805FA +5V	HC38905090					
▲ Q854		4822 209 63179	IC,NJM7905FA	HC39905090					
▲ Q855		4822 209 31631	IC,NJM7805FA +5V	HC38905090					
▲ Q856		3141 018 50260	IC,BA033T +3.3V 1A TYPE	HC36J33210					
▲ Q857		4822 130 63635	TRS.2SC4793 O,Y	HT347932A0					
▲ Q858		4822 130 63635	TRS.2SC4793 O,Y	HT347932A0					
Q901	/N/S	9965 000 06293	IC,LC72722 RDS DECODER	HC10404030					
Q902	/N/S	4822 130 41947	TRS.C2458,C1740S,C3199,ETC	HT30001000					
Q903	/N/S	4822 130 60588	DIG.TRS.DTC114ES/UN4211 10K,10K	BA20001000					
Q904	/N/S	4822 130 61227	DIG.TRS.DTA114ES/UN4111 10K,10K	BA10001000					
Q951	/N/S	4822 209 83631	IC,NJM4558D-D	HC10008090					
QM81		5322 209 11532	IC,74HC4094 16PIN DIP	HC709449B0					
QM82		5322 209 11532	IC,74HC4094 16PIN DIP	HC709449B0					
QM83									
}		4822 130 61227	DIG.TRS.DTA114ES/UN4111 10K,10K	BA10001000					
QM88									
QM89		4822 130 60588	DIG.TRS.DTC114ES/UN4211 10K,10K	BA20001000					
QM90		4822 130 61227	DIG.TRS.DTA114ES/UN4111 10K,10K	BA10001000					
QT02		4822 130 60588	DIG.TRS.DTC114ES/UN4211 10K,10K	BA20001000					
▲ QT03	/N	4822 209 70084	IC,NJM7812FA +12V	HC38912090					
▲ QT03	/S/U		IC,NJM7812FA +12V	HC38912090					
QT04		4822 130 61227	DIG.TRS.DTA114ES/UN4111 10K,10K	BA10001000					
QW01		4822 209 73064	IC,NJM-2068-DD	HC10053090					
QW31		4822 209 83631	IC,NJM4558D-D	HC10008090					

NOTE : *nsp* PART IS LISTED FOR REFERENCE ONLY, MARANTZ WILL NOT SUPPLY THESE PARTS.

PS9200

POS. NO	VERS. COLOR	PART NO. (FOR PCS)	DESCRIPTION	PART NO. (MUJ)	POS. NO	VERS. COLOR	PART NO. (FOR PCS)	DESCRIPTION	PART NO. (MUJ)
			P114- POWER AMP FL FR SBL CIRCUIT BOARD		R113			470Ω ±5% 1/6W	GG05471160
			P114- CAPACITORS		R114			470Ω ±5% 1/6W	GG05471160
C101			ELECT.22μF ±20% 25V ARS	OA22602540	R117			150Ω ±5% 1/6W	GG05151160
C102			FILM,APSV 331J, 330pF(TP) 100V PP	OF15331540	R118			150Ω ±5% 1/6W	GG05151160
C103			ELECT.100μF ±20% 50V RA-2	OA10705020	R123			TRIM.VARI. 470 VERTICAL	RA04710760
C104			FILM,APSV 122J, 1200pF(TP) 100V PP	OF15122540	R124			100Ω ±5% 1/6W	GG05101160
C105			ELECT.10μF ±20% 50V RA-2	OA10605020	R125			100Ω ±5% 1/6W	GG05101160
C106			ELECT.220μF ±20% 100V RA-2	OA22710020	R126			1kΩ ±5% 1/4W	GG05102140
C107			ELECT.220μF ±20% 100V RA-2	OA22710020	R127			47Ω ±5% 1/4W	GG05470140
C111			MICA,10pF D 250WV AUDIO	DF31100520	R128			47Ω ±5% 1/4W	GG05470140
C112			MICA,47pF ±5% 500V FE922H470JS	DF35470520	R129			10Ω ±5% 1/4W	GG05100140
C113			MICA,47pF ±5% 500V FE922H470JS	DF35470520	R130			10Ω ±5% 1/4W	GG05100140
C148			ELECT.100μF ±20% 25V RA-2	OA10702520	R131			220Ω ±5% 1/4W	GG05221140
C149			ELECT.100μF ±20% 25V RA-2	OA10702520	▲ R132			FIXED .0.10Ω ±10% 5W X2	BZ10102020
C201			ELECT.22μF ±20% 25V ARS	OA22602540	R142			10Ω ±5% 1/4W	GG05100140
C202			FILM,APSV 331J, 330pF(TP) 100V PP	OF15331540	R143			10Ω ±5% 1/4W	GG05100140
C203			ELECT.100μF ±20% 50V RA-2	OA10705020	R149			10Ω ±5% 1/4W	GG05100140
C204			FILM,APSV 122J 1200pF(TP) 100V PP	OF15122540	R206			330Ω ±5% 1/4W	GG05331140
C205			ELECT.10μF ±20% 50V RA-2	OA10605020	∫				
C206			ELECT.220μF ±20% 100V RA-2	OA22710020	R209				
C207			ELECT.220μF ±20% 100V RA-2	OA22710020	R213			470Ω ±5% 1/6W	GG05471160
C211			MICA,10pF D 250WV AUDIO	DF31100520	R214			470Ω ±5% 1/6W	GG05471160
C212			MICA,47pF ±5% 500V FE922H470JS	DF35470520	R217			150Ω ±5% 1/6W	GG05151160
C301			ELECT.22μF ±20% 25V ARS	OA22602540	R218			150Ω ±5% 1/6W	GG05151160
C302			FILM,APSV 331J, 330pF(TP) 100V PP	OF15331540	R223			TRIM.VARI. 470 VERTICAL	RA04710760
C303			ELECT.100μF ±20% 50V RA-2	OA10705020	R228			100Ω ±5% 1/6W	GG05101160
C304			FILM,APSV 122J 1200pF(TP) 100V PP	OF15122540	R229			100Ω ±5% 1/6W	GG05101160
C305			ELECT.10μF ±20% 50V RA-2	OA10605020	R230			220Ω ±5% 1/4W	GG05221140
C306			ELECT.220μF ±20% 100V RA-2	OA22710020	R231			FIXED .0.10Ω ±10% 5W X2	BZ10102020
C307			ELECT.220μF ±20% 100V RA-2	OA22710020	▲ R232			RGCS5 W/TP	
C311			MICA,10pF D 250WV AUDIO	DF31100520	R242			10Ω ±5% 1/4W	GG05100140
C312			MICA,47pF ±5% 500V FE922H470JS	DF35470520	R243			10Ω ±5% 1/4W	GG05100140
C313			MICA,47pF ±5% 500V FE922H470JS	DF35470520	R306			330Ω ±5% 1/4W	GG05331140
C348			ELECT.100μF ±20% 25V RA-2	OA10702520	∫				
C349			ELECT.100μF ±20% 25V RA-2	OA10702520	R309				
C401			ELECT.22μF ±20% 25V ARS	OA22602540	R313			470Ω ±5% 1/6W	GG05471160
C402			FILM,APSV 331J, 330pF(TP) 100V PP	OF15331540	R314			470Ω ±5% 1/6W	GG05471160
C403			ELECT.100μF ±20% 50V RA-2	OA10705020	R317			150Ω ±5% 1/6W	GG05151160
C404			FILM,APSV 122J 1 200pF(TP) 100V PP	OF15122540	R318			150Ω ±5% 1/6W	GG05151160
C406			ELECT.220μF ±20% 100V RA-2	OA22710020	R323			TRIM.VARI. 470 VERTICAL	RA04710760
C407			ELECT.220μF ±20% 100V RA-2	OA22710020	R324			100Ω ±5% 1/6W	GG05101160
C411			MICA,10pF D 250WV AUDIO	DF31100520	R325			100Ω ±5% 1/6W	GG05101160
			P114-CAPACITORS(COMMON)		R326			1kΩ ±5% 1/4W	GG05102140
			PLASTIC FILM CAPACITOR ±5% 50V : C108 C208 C308		R327			47Ω ±5% 1/4W	GG05470140
			P114- RESISTORS		R328			47Ω ±5% 1/4W	GG05470140
			330Ω ±5% 1/4W	GG05331140	R329			10Ω ±5% 1/4W	GG05100140
R106					R330			10Ω ±5% 1/4W	GG05100140
∫					R331			220Ω ±5% 1/4W	GG05221140
R109					▲ R332			FIXED .0.10Ω ±10% 5W X2	BZ10102020
					R342			RGCS5 W/TP	
					R343			10Ω ±5% 1/4W	GG05100140
					R406			10Ω ±5% 1/4W	GG05100140
					∫				
					R409			330Ω ±5% 1/4W	GG05331140
					R413			470Ω ±5% 1/6W	GG05471160
					R414			470Ω ±5% 1/6W	GG05471160
					R417			150Ω ±5% 1/6W	GG05151160

NOTE : *nsp* PART IS LISTED FOR REFERENCE ONLY, MARANTZ WILL NOT SUPPLY THESE PARTS.

PS9200

POS. NO	VERS. COLOR	PART NO. (FOR PCS)	DESCRIPTION	PART NO. (MJJ)	POS. NO	VERS. COLOR	PART NO. (FOR PCS)	DESCRIPTION	PART NO. (MJJ)
R418			150Ω ±5% 1/6W	GG05151160	Q108			TRS.2SC2240 GR OR BL	HT322402A0
R442			10Ω ±5% 1/4W	GG05100140	Q109			TRS.2SA1145 O OR Y TAPING	HT111452A0
R443			10Ω ±5% 1/4W	GG05100140	Q110			TRS.2SC2705 O OR Y TAPING	HT327052A0
			P114- RESISTORS(COMMON)		Q112			TRS.2SC4883 O OR Y	HT348832A0
R***			CARBON FILM FIXED RES.		Q113			TRS.2SA1859 O OR Y	HT118592A0
			±5% 1/6W : R101 R102 R104		▲ Q114			TRS.O,Y 120V,1A, PC=1.5W(10W)	HT334212A0
			R105 R110 R111 R112 R115		▲ Q115			TRS.O,Y 120V 1A	HT113582A0
			R116 R119 R120 R121 R122		▲ Q116			PC=1.5W(10W)	
			R133 R134 R135 R136 R137		▲ Q117			TRS.C2922 OPY 17A 200W LF203	HT329223F0
			R139 R201 R202 R204 R205		Q118			TRS.A1216 OPY 17A 200W LF203	HT112163F0
			R210 R211 R212 R215 R216		Q203			TRS.2SC2240 GR OR BL	HT322402A0
			R219 R220 R221 R222 R233		Q204			TRS.2SA1048 Y OR GR	HT110482B0
			R234 R235 R236 R237 R239		Q205			TRS.2SC2458 Y OR GR	HT324582B0
			R301 R302 R304 R305 R310		Q206			TRS.2SC2240 GR OR BL	HT322402A0
			R311 R312 R315 R316 R319		Q207			TRS.2SA970 (GR) OR (BL)	HT109702A0
			R320 R321 R322 R333 R334		Q208			TRS.2SA970 (GR) OR (BL)	HT109702A0
			R335 R336 R337 R339 R401		Q209			TRS.2SC2240 GR OR BL	HT322402A0
			R402 R404 R405 R410 R411		Q210			TRS.2SA970 (GR) OR (BL)	HT111452A0
			R412 R415 R416 R419 R420		Q212			TRS.2SC2705 O OR Y TAPING	HT327052A0
			R542 R543 R544 RN40 RN41		Q213			TRS.2SC4883 O OR Y	HT348832A0
			P114- SEMICONDUCTORS		▲ Q214			TRS.2SA1859 O OR Y	HT118592A0
D101			DIODE,1SS176,MA165,	HD20002000	Q217			TRS.O,Y	HT334212A0
}			1SS254 30V 0.1A		▲ Q215			120V,1A,PC=1.5W(10W)	
D104			ZENER,8.2V EQUIVALENT	HD30821000	▲ Q216			TRS.O,Y 120V 1A	HT113582A0
D105			ZENER,8.2V EQUIVALENT	HD30821000	▲ Q217			PC=1.5W(10W)	
D106			DIODE,HSS81TD 150V 150MA	HD20027010	▲ Q218			TRS.C2922 OPY 17A 200W LF203	HT329223F0
D107			AXIAL TAPG.		Q219			TRS.A1216 OPY 17A 200W LF203	HT112163F0
D108			DIODE,HSS81TD 150V 150MA	HD20027010	Q219			TRS.2SC2240 GR OR BL	HT322402A0
			AXIAL TAPG.		Q301			IC,NJM-2068-DD	HC10053090
D109			ZENER,4.3V EQUIVALENT	HD30431000	Q303			TRS.2SA1048 Y OR GR	HT110482B0
D201					Q304			TRS.2SC2458 Y OR GR	HT324582B0
}			DIODE,1SS176,MA165,	HD20002000	Q305			TRS.2SC2240 GR OR BL	HT322402A0
D204			1SS254 30V 0.1A		Q306			TRS.2SA970 (GR) OR (BL)	HT109702A0
D205			ZENER,8.2V EQUIVALENT	HD30821000	Q307			TRS.2SA970 (GR) OR (BL)	HT109702A0
D206			ZENER,8.2V EQUIVALENT	HD30821000	Q308			TRS.2SC2240 GR OR BL	HT322402A0
D207			DIODE,HSS81TD 150V 150MA	HD20027010	Q309			TRS.2SA1145 O OR Y TAPING	HT111452A0
			AXIAL TAPG.		Q310			TRS.2SC2705 O OR Y TAPING	HT327052A0
D208			DIODE,HSS81TD 150V 150MA	HD20027010	Q312			TRS.2SC4883 O OR Y	HT348832A0
			AXIAL TAPG.		Q313			TRS.2SA1859 O OR Y	HT118592A0
D209			ZENER,4.3V EQUIVALENT	HD30431000	▲ Q314			TRS.O,Y 120V,1A, PC=1.5W(10W)	HT334212A0
D301					▲ Q315			TRS.O,Y 120V 1A	HT113582A0
}			DIODE,1SS176,MA165,	HD20002000	▲ Q316			PC=1.5W(10W)	
D304			1SS254 30V 0.1A		▲ Q317			TRS.C2922 OPY 17A 200W LF203	HT329223F0
D305			ZENER,8.2V EQUIVALENT	HD30821000	Q318			TRS.A1216 OPY 17A 200W LF203	HT112163F0
D306			ZENER,8.2V EQUIVALENT	HD30821000	Q403			TRS.2SC2240 GR OR BL	HT322402A0
D307			DIODE,HSS81TD 150V 150MA	HD20027010	Q404			TRS.2SA1048 Y OR GR	HT110482B0
			AXIAL TAPG.		Q405			TRS.2SC2458 Y OR GR	HT324582B0
D308			DIODE,HSS81TD 150V 150MA	HD20027010	Q406			TRS.2SC2240 GR OR BL	HT322402A0
			AXIAL TAPG.		Q407			TRS.2SA970 (GR) OR (BL)	HT109702A0
D309			ZENER,4.3V EQUIVALENT	HD30431000	Q408			TRS.2SA970 (GR) OR (BL)	HT109702A0
D401			DIODE,1SS176,MA165,	HD20002000	Q409			TRS.2SC2240 GR OR BL	HT322402A0
			1SS254 30V 0.1A		Q410			TRS.2SA1145 O OR Y TAPING	HT111452A0
D402			DIODE,1SS176,MA165,	HD20002000	QN08			TRS.2SC2705 O OR Y TAPING	HT327052A0
			1SS254 30V 0.1A					TRS.2SA970 (GR) OR (BL)	HT109702A0
Q101			IC,NJM-2068-DD	HC10053090				P114- MISCELLANEOUS	
Q103			TRS.2SA1048 Y OR GR	HT110482B0				ELECT.10μF ±20% 50V RA-2	OA10605020
Q104			TRS.2SC2458 Y OR GR	HT324582B0					
Q105			TRS.2SC2240 GR OR BL	HT322402A0					
Q106			TRS.2SA970 (GR) OR (BL)	HT109702A0					
Q107			TRS.2SA970 (GR) OR (BL)	HT109702A0					
					CN14				

NOTE : *nsp* PART IS LISTED FOR REFERENCE ONLY, MARANTZ WILL NOT SUPPLY THESE PARTS.

PS9200

POS. NO	VERS. COLOR	PART NO. (FOR PCS)	DESCRIPTION	PART NO. (MUJ)	POS. NO	VERS. COLOR	PART NO. (FOR PCS)	DESCRIPTION	PART NO. (MUJ)
CN18			ELECT.1µF ±20% 50V RA-2	OA10505020	Q111			P134- Q111 CIRCUIT BOARD P134- SEMICONDUCTORS TRS.C3419 Y 40V 0.8A PC=1.2W (5W)	HT334191Y0
CN66			ELECT.1µF ±20% 50V RA-2	OA10505020					
K101			KIT,A1358,C3421 O OR A1358, C3421 Y	HK135819C0					
K102			KIT,2SA1216/2SC2922 OPY LF203	HK121619F0					
K103			KIT,2SA1859/C4883 O/O OR Y/Y PAIR	HK185919C0					
K201			KIT,A1358,C3421 O OR A1358, C3421 Y	HK135819C0					
K202			KIT,2SA1216/2SC2922 OPY LF203	HK121619F0					
K203			KIT,2SA1859/C4883 O/O OR Y/Y PAIR	HK185919C0					
K301			KIT,A1358,C3421 O OR A1358, C3421 Y	HK135819C0					
K302			KIT,2SA1216/2SC2922 OPY LF203	HK121619F0					
K303			KIT,2SA1859/C4883 O/O OR Y/Y PAIR	HK185919C0					
			P124- SPKOUTS FRONT SURRBACK HEAD CIRCUIT BOARD						
			P124- CAPACITORS						
CN10			CER.100pF UP050B101K-A	DA16101110	C151			ELECT.22µF ±20% 25V ARS	OA22602540
CN11			CER.100pF UP050B101K-A	DA16101110	C152			FILM,APSV 331J, 330pF(TP) 100V PP	OF15331540
CN12			CER.100pF UP050B101K-A	DA16101110	C153			ELECT.100µF ±20% 50V RA-2	OA10705020
			P124-CAPACITORS(COMMON)		C154			FILM,APSV 122J 1200pF(TP) 100V PP	OF15122540
			PLASTIC FILM CAPACITOR ±5% 50V : C109 C110 C209 C210 C309 C310 C409 C410		C155			ELECT.10µF ±20% 50V RA-2	OA10605020
			P124- RESISTORS		C156			ELECT.220µF ±20% 100V RA-2	OA22710020
R138			10Ω ±5% 1W	GA05100010	C157			ELECT.220µF ±20% 100V RA-2	OA22710020
R238			10Ω ±5% 1W	GA05100010	C161			MICA,10pF D 250WV AUDIO	DF31100520
R338			10Ω ±5% 1W	GA05100010	C162			MICA,47pF ±5% 500V FE922H470JS	DF35470520
R438			10Ω ±5% 1W	GA05100010	C163			MICA,47pF ±5% 500V FE922H470JS	DF35470520
RN35			330Ω ±5% 1/4W	GG05331140	C198			ELECT.100µF ±20% 25V RA-2	OA10702520
RN37			330Ω ±5% 1/4W	GG05331140	C199			ELECT.100µF ±20% 25V RA-2	OA10702520
RP91			330Ω ±5% 1W	GA05331010	C213			MICA,47pF ±5% 500V FE922H470JS	DF35470520
RP92			330Ω ±5% 1W	GA05331010	C251			ELECT.22µF ±20% 25V ARS	OA22602540
RP93			330Ω ±5% 1/4W	GG05331140	C252			FILM,APSV 331J, 330pF(TP) 100V PP	OF15331540
			P124- RESISTORS(COMMON)		C253			ELECT.100µF ±20% 50V RA-2	OA10705020
			CARBON FILM FIXED RES. ±5% 1/6W : RN27-RN32		C254			FILM,APSV 122J 1200pF(TP) 100V PP	OF15122540
			P124- SEMICONDUCTORS		C255			ELECT.10µF ±20% 50V RA-2	OA10605020
DN05			DIODE,1D3 1A/200V	HD20002710	C256			ELECT.220µF ±20% 100V RA-2	OA22710020
DN07			DIODE,1D3 1A/200V	HD20002710	C257			ELECT.220µF ±20% 100V RA-2	OA22710020
DP91			DIODE,1D3 1A/200V	HD20002710	C261			MICA,10pF D 250WV AUDIO	DF31100520
QN04			TRS.2SC2458 Y OR GR	HT324582B0	C262			MICA,47pF ±5% 500V FE922H470JS	DF35470520
QN05			TRS.2SC2458 Y OR GR	HT324582B0	C263			MICA,47pF ±5% 500V FE922H470JS	DF35470520
QN06			TRS.2SC2458 Y OR GR	HT324582B0	C351			ELECT.22µF ±20% 25V ARS	OA22602540
			P124- MISCELLANEOUS		C352			FILM,APSV 331J, 330pF(TP) 100V PP	OF15331540
J149			TERMINAL,SPKROUT FL FR	YT01040880	C353			ELECT.100µF ±20% 50V RA-2	OA10705020
J349			TERMINAL,SPKROUT SBL SBR	YT01040880	C354			FILM,APSV 122J 1200pF(TP) 100V PP	OF15122540
LN01			RELAY,VB 24MBU-510 5A/240VAC	LY20240310	C355			ELECT.10µF ±20% 50V RA-2	OA10605020
LN03			RELAY,VB 24MBU-510 5A/240VAC	LY20240310	C356			ELECT.220µF ±20% 100V RA-2	OA22710020
LP91			RELAY,HP OUT RELAY	LY20240490	C357			ELECT.220µF ±20% 100V RA-2	OA22710020
					C361			MICA,10pF D 250WV AUDIO	DF31100520
					C362			MICA,47pF ±5% 500V FE922H470JS	DF35470520
					C363			MICA,47pF ±5% 500V FE922H470JS	DF35470520
					C389			ELECT.100µF ±20% 25V RA-2	OA10702520
					C399			ELECT.100µF ±20% 25V RA-2	OA10702520
					C501			CER.100pF UP050B101K-A	DA16101110
					}				
					C507			ELECT.1µF ±20% 50V RA-2	OA10505020
					C508			ELECT.100µF ±20% 25V RA-2	OA10702520
					C510			ELECT.100µF ±20% 25V RA-2	OA10702520
					CN01			ELECT.100µF ±20% 50V RA-2	OA10705020
					CN02			CER.0.01µF Z 50V	DK18103310

NOTE : *nsp* PART IS LISTED FOR REFERENCE ONLY, MARANTZ WILL NOT SUPPLY THESE PARTS.

PS9200

POS. NO	VERS. COLOR	PART NO. (FOR PCS)	DESCRIPTION	PART NO. (MJI)	POS. NO	VERS. COLOR	PART NO. (FOR PCS)	DESCRIPTION	PART NO. (MJI)
CN03			ELECT.0.47μF ±20% 50V RA-2	OA47405020	R368			150Ω ±5% 1/6W	GG05151160
CN04			ELECT.0.47μF ±20% 50V RA-2	OA47405020	R373			TRIM.VARI. 470 VERTICAL	RA04710760
CN05			ELECT.1μF ±20% 50V RA-2	OA10505020	R374			100Ω ±5% 1/6W	GG05101160
CN06			CER.0.01μF Z 50V	DK18103310	R375			100Ω ±5% 1/6W	GG05101160
CN15			ELECT.10μF ±20% 50V RA-2	OA10605020	R376			1kΩ ±5% 1/4W	GG05102140
CN17			CER.0.01μF Z 50V	DK18103310	R377			47Ω ±5% 1/4W	GG05470140
CN61			ELECT.100μF ±20% 25V RA-2	OA10702520	R378			47Ω ±5% 1/4W	GG05470140
CN62			CER.0.01μF Z 50V	DK18103310	R379			10Ω ±5% 1/4W	GG05100140
CN63			ELECT.1μF ±20% 50V RA-2	OA10505020	R380			10Ω ±5% 1/4W	GG05100140
CN64			ELECT.1μF ±20% 50V RA-2	OA10505020	R381			220Ω ±5% 1/4W	GG05221140
CN65			ELECT.1μF ±20% 50V RA-2	OA10505020	▲ R382			FIXED ,0.10Ω ±10% 5W X2	BZ10102020
			P154-CAPACITORS(COMMON)					RGC55 W/TP	
			PLASTIC FILM CAPACITOR					10Ω ±5% 1/4W	GG05100140
			±5% 50V : C158 C258 C358					10Ω ±5% 1/4W	GG05100140
			P154- RESISTORS					4.7Ω ±5% 1/2W	GG05047120
R156			330Ω ±5% 1/4W	GG05331140				P154- RESISTORS(COMMON)	
}								CARBON FILM FIXED RES.	
R159			470Ω ±5% 1/6W	GG05471160				±5% 1/6W : R151 R152 R154	
R163			470Ω ±5% 1/6W	GG05471160				R155 R160-R162 R165 R166	
R164			150Ω ±5% 1/6W	GG05151160				R169-R172 R183-R187 R189	
R167			150Ω ±5% 1/6W	GG05151160				R251 R252 R254 R255 R260	
R168			TRIM.VARI. 470 VERTICAL	RA04710760				R261 R262 R265 R266 R269	
R173			100Ω ±5% 1/6W	GG05101160				R270 R271 R272 R283-R287	
R174			100Ω ±5% 1/6W	GG05101160				R289 R351 R352 R354 R355	
R175			1kΩ ±5% 1/4W	GG05102140				R360 R361 R362 R365 R366	
R176			47Ω ±5% 1/4W	GG05470140				R369-R372 R383-R387 R389	
R177			47Ω ±5% 1/4W	GG05470140				R501-R509 R517 R530-R535	
R178			10Ω ±5% 1/4W	GG05100140				R540 R541 R545 R549	
R179			10Ω ±5% 1/4W	GG05100140				RN01-RN16 RN18-RN23 RN42	
R180			10Ω ±5% 1/4W	GG05100140				RN43 RN61 RN63-RN71 RN76	
R181			220Ω ±5% 1/4W	GG05221140				RN77 RN80 RN84 RN85	
▲ R182			FIXED ,0.10Ω ±10% 5W X2	BZ10102020				P154- SEMICONDUCTORS	
			RGC55 W/TP		D151			DIODE,1SS176,MA165,1SS254	HD20002000
R192			10Ω ±5% 1/4W	GG05100140	}			30V 0.1A	
R193			10Ω ±5% 1/4W	GG05100140	D154			ZENER,8.2V EQUIVALENT	HD30821000
R199			10Ω ±5% 1/4W	GG05100140	D155			ZENER,8.2V EQUIVALENT	HD30821000
R256			330Ω ±5% 1/4W	GG05331140	D156			DIODE,HSS81TD 150V 150MA	HD20027010
}					D157			AXIAL TAPG.	
R259			470Ω ±5% 1/6W	GG05471160	D158			DIODE,HSS81TD 150V 150MA	HD20027010
R263			470Ω ±5% 1/6W	GG05471160				AXIAL TAPG.	
R264			150Ω ±5% 1/6W	GG05151160	D159			ZENER,4.3V EQUIVALENT	HD30431000
R267			150Ω ±5% 1/6W	GG05151160	D251				
R268			TRIM.VARI. 470 VERTICAL	RA04710760	}			DIODE,1SS176,MA165,1SS254	HD20002000
R273			100Ω ±5% 1/6W	GG05101160				30V 0.1A	
R274			100Ω ±5% 1/6W	GG05101160	D254			ZENER,8.2V EQUIVALENT	HD30821000
R275			1kΩ ±5% 1/4W	GG05102140	D255			ZENER,8.2V EQUIVALENT	HD30821000
R276			47Ω ±5% 1/4W	GG05470140	D256			DIODE,HSS81TD 150V 150MA	HD20027010
R277			47Ω ±5% 1/4W	GG05470140	D257			AXIAL TAPG.	
R278			10Ω ±5% 1/4W	GG05100140	D258			DIODE,HSS81TD 150V 150MA	HD20027010
R279			10Ω ±5% 1/4W	GG05100140				AXIAL TAPG.	
R280			220Ω ±5% 1/4W	GG05221140	D259			ZENER,4.3V EQUIVALENT	HD30431000
R281			FIXED ,0.10Ω ±10% 5W X2	BZ10102020	D351				
▲ R282			RGC55 W/TP		}			DIODE,1SS176,MA165,1SS254	HD20002000
			10Ω ±5% 1/4W	GG05100140				30V 0.1A	
R292			10Ω ±5% 1/4W	GG05100140	D354			ZENER,8.2V EQUIVALENT	HD30821000
R293			330Ω ±5% 1/4W	GG05331140	D355			ZENER,8.2V EQUIVALENT	HD30821000
R356			470Ω ±5% 1/6W	GG05471160	D356			DIODE,HSS81TD 150V 150MA	HD20027010
}					D357			AXIAL TAPG.	
R359			470Ω ±5% 1/6W	GG05471160				DIODE,HSS81TD 150V 150MA	HD20027010
R363			470Ω ±5% 1/6W	GG05471160	D358			AXIAL TAPG.	
R364			150Ω ±5% 1/6W	GG05151160					
R367									

NOTE : *nsp* PART IS LISTED FOR REFERENCE ONLY, MARANTZ WILL NOT SUPPLY THESE PARTS.

PS9200

POS. NO	VERS. COLOR	PART NO. (FOR PCS)	DESCRIPTION	PART NO. (MUJ)	POS. NO	VERS. COLOR	PART NO. (FOR PCS)	DESCRIPTION	PART NO. (MUJ)
D359			ZENER,4.3V EQUIVALENT	HD30431000	Q368			TRS.2SC2240 GR OR BL	HT322402A0
D511					Q501			IC,NJM2901	HC10009090
∫			DIODE,1SS176,MA165,1SS254	HD20002000	Q502			QUAD COMPARATOR	HC10009090
D517			30V 0.1A		Q502			IC,NJM2901	HC10009090
DN61			ZENER,8.2V EQUIVALENT	HD30821000	QN01			QUAD COMPARATOR	HC10042050
DN62			ZENER,4.7V EQUIVALENT	HD30471000	QN02			IC,TA7317P	HT324582B0
Q151			IC,NJM-2068-DD	HC10053090	QN03			TRS.2SC2458 Y OR GR	HT324582B0
Q153			TRS.2SA1048 Y OR GR	HT110482B0	QN09			TRS.2SC2458 Y OR GR	HT109702A0
Q154			TRS.2SC2458 Y OR GR	HT324582B0	QN11			TRS.2SA970 (GR) OR (BL)	BA20001000
Q155			TRS.2SC2240 GR OR BL	HT322402A0	QN61			DIG.TRS.DTC114ES/UN4211	BA20001000
Q156			TRS.2SA970 (GR) OR (BL)	HT109702A0	QN61			10K,10K	HC10009090
Q157			TRS.2SA970 (GR) OR (BL)	HT109702A0	QN62			IC,NJM2901	HC10009090
Q158			TRS.2SC2240 GR OR BL	HT322402A0	QN62			QUAD COMPARATOR	BA20001000
Q159			TRS.2SA1145 O OR Y TAPING	HT111452A0	QN62			DIG.TRS.DTC114ES/UN4211	BA20001000
Q160			TRS.2SC2705 O OR Y TAPING	HT327052A0	QN63			10K,10K	BA20001000
Q162			TRS.2SC4883 O OR Y	HT348832A0	QN63			DIG.TRS.DTC114ES/UN4211	BA20001000
Q163			TRS.2SA1859 O OR Y	HT118592A0	QN64			10K,10K	HT334191Y0
▲ Q164			TRS.O,Y 120V,1A, PC=1.5W(10W)	HT334212A0	QN64			TRS.C3419 Y 40V 0.8A	HT334191Y0
▲ Q165			TRS.O,Y 120V 1A PC=1.5W(10W)	HT113582A0	K151			PC=1.2W (5W)	
▲ Q166			TRS.C2922 OPY 17A 200W LF203	HT329223F0	K152			P154- MISCELLANEOUS	
▲ Q167			TRS.A1216 OPY 17A 200W LF203	HT112163F0	K152			KIT,A1358,C3421 O OR A1358, C3421 Y	HK135819C0
Q168			TRS.2SC2240 GR OR BL	HT322402A0	K153			KIT,2SA1216/2SC2922 OPY LF203	HK121619F0
Q253			TRS.2SA1048 Y OR GR	HT110482B0	K153			KIT,2SA1859/C4883	HK185919C0
Q254			TRS.2SC2458 Y OR GR	HT324582B0	K251			O/O OR Y/Y PAIR	HK185919C0
Q255			TRS.2SC2240 GR OR BL	HT322402A0	K251			KIT,A1358,C3421 O OR A1358, C3421 Y	HK135819C0
Q256			TRS.2SA970 (GR) OR (BL)	HT109702A0	K252			KIT,2SA1216/2SC2922 OPY LF203	HK121619F0
Q257			TRS.2SA970 (GR) OR (BL)	HT109702A0	K252			KIT,2SA1859/C4883	HK185919C0
Q258			TRS.2SC2240 GR OR BL	HT322402A0	K253			O/O OR Y/Y PAIR	HK185919C0
Q259			TRS.2SA1145 O OR Y TAPING	HT111452A0	K351			KIT,A1358,C3421 O OR A1358, C3421 Y	HK135819C0
Q260			TRS.2SC2705 O OR Y TAPING	HT327052A0	K352			KIT,2SA1216/2SC2922 OPY LF203	HK121619F0
Q262			TRS.2SC4883 O OR Y	HT348832A0	K352			KIT,2SA1859/C4883	HK185919C0
Q263			TRS.2SA1859 O OR Y	HT118592A0	K353			O/O OR Y/Y PAIR	HK185919C0
▲ Q264			TRS.O,Y 120V,1A, PC=1.5W(10W)	HT334212A0	KN13			P164- SPKOUTS SURR CENTER MULTI CIRCUIT BOARD	
▲ Q265			TRS.O,Y 120V 1A PC=1.5W(10W)	HT113582A0				P164- CAPACITORS	
▲ Q266			TRS.C2922 OPY 17A 200W LF203	HT329223F0				CER.100pF UP050B101K-A	DA16101110
▲ Q267			TRS.A1216 OPY 17A 200W LF203	HT112163F0				P164-CAPACITORS(COMMON)	
Q268			TRS.2SC2240 GR OR BL	HT322402A0				PLASTIC FILM CAPACITOR	
Q351			IC,NJM-2068-DD	HC10053090				±5% 50V : C159 C160 C259 C260 C359 C360	
Q353			TRS.2SA1048 Y OR GR	HT110482B0				P164- RESISTORS	
Q354			TRS.2SC2458 Y OR GR	HT324582B0				10Ω ±5% 1W	GA05100010
Q355			TRS.2SC2240 GR OR BL	HT322402A0				10Ω ±5% 1W	GA05100010
Q356			TRS.2SA970 (GR) OR (BL)	HT109702A0				10Ω ±5% 1W	GA05100010
Q357			TRS.2SA970 (GR) OR (BL)	HT109702A0				330Ω ±5% 1/4W	GG05331140
Q358			TRS.2SC2240 GR OR BL	HT322402A0				330Ω ±5% 1/4W	GG05331140
Q359			TRS.2SA1145 O OR Y TAPING	HT111452A0				330Ω ±5% 1/4W	GG05331140
Q360			TRS.2SC2705 O OR Y TAPING	HT327052A0					
Q362			TRS.2SC4883 O OR Y	HT348832A0					
Q363			TRS.2SA1859 O OR Y	HT118592A0					
▲ Q364			TRS.O,Y 120V,1A, PC=1.5W(10W)	HT334212A0					
▲ Q365			TRS.O,Y 120V 1A PC=1.5W(10W)	HT113582A0				P164- RESISTORS(COMMON)	
▲ Q366			TRS.C2922 OPY 17A 200W LF203	HT329223F0				CARBON FILM FIXED RES.	
▲ Q367			TRS.A1216 OPY 17A 200W LF203	HT112163F0				±5% 1/6W : RN33 RN34	
								P164- SEMICONDUCTORS	
								DIODE,1D3 1A/200V	HD20002710
								DIODE,1D3 1A/200V	HD20002710

NOTE : *nsp* PART IS LISTED FOR REFERENCE ONLY, MARANTZ WILL NOT SUPPLY THESE PARTS.

PS9200

POS. NO	VERS. COLOR	PART NO. (FOR PCS)	DESCRIPTION	PART NO. (MJJ)	POS. NO	VERS. COLOR	PART NO. (FOR PCS)	DESCRIPTION	PART NO. (MJJ)
DN09			DIODE,1D3 1A/200V	HD20002710	R428			47Ω ±5% 1/4W	GG05470140
QN07			TRS.2SC2458 Y OR GR	HT324582B0	R429			10Ω ±5% 1/4W	GG05100140
			P164- MISCELLANEOUS		R430			10Ω ±5% 1/4W	GG05100140
J199			TERMINAL,SPKROUT	YT01060030	R431			220Ω ±5% 1/4W	GG05221140
			CENTER SL SR		▲ R432			FIXED ,0.10Ω ±10% 5W X2	BZ10102020
J299			TERMINAL,SPKROUT ML MR	YT01040880				P414- RESISTORS(COMMON)	
▲ LN02			RELAY, VB 24MBU-510	LY20240310				CARBON FILM FIXED RES.	
			5A/240VAC		R***			±5% 1/6W : R421 R422 R433	
▲ LN04			RELAY, VB 24MBU-510	LY20240310				R434 R435 R436 R437 R439	
			5A/240VAC					R548 RN44 RN45	
▲ LN05			RELAY, VB 24MBU-510	LY20240310				P414- SEMICONDUCTORS	
			5A/240VAC					DIODE,1SS176,MA165,1SS254	HD20002000
			P174- Q161		D403			30V 0.1A	
			CIRCUIT BOARD		D404			DIODE,1SS176,MA165,1SS254	HD20002000
Q161			P174- SEMICONDUCTORS		D405			30V 0.1A	
			TRS.C3419 Y 40V 0.8A	HT334191Y0	D406			ZENER,8.2V EQUIVALENT	HD30821000
			PC=1.2W (5W)		D407			ZENER,8.2V EQUIVALENT	HD30821000
			P214- Q211		D408			DIODE,HSS81TD 150V 150MA	HD20027010
			CIRCUIT BOARD					AXIAL TAPG.	
Q211			P214- SEMICONDUCTORS		D409			DIODE,HSS81TD 150V 150MA	HD20027010
			TRS.C3419 Y 40V 0.8A	HT334191Y0	Q411			AXIAL TAPG.	
			PC=1.2W (5W)		Q412			ZENER,4.3V EQUIVALENT	HD30431000
			P254- Q261		Q413			TRS.C3419 Y 40V 0.8A	HT334191Y0
			CIRCUIT BOARD		▲ Q414			PC=1.2W (5W)	
Q261			P254- SEMICONDUCTORS		▲ Q415			TRS.2SC4883 O OR Y	HT348832A0
			TRS.C3419 Y 40V 0.8A	HT334191Y0	▲ Q416			TRS.2SA1859 O OR Y	HT118592A0
			PC=1.2W (5W)		▲ Q417			TRS.O,Y 120V,1A,	HT334212A0
			P314- Q311		Q418			PC=1.5W(10W)	
			CIRCUIT BOARD		QN10			TRS.O,Y 120V 1A	HT113582A0
Q311			P314- SEMICONDUCTORS					PC=1.5W(10W)	
			TRS.C3419 Y 40V 0.8A	HT334191Y0				TRS. 2SC2922 O,Y	HT329222A0
			PC=1.2W (5W)					TRS. 2SA1216 O,Y	HT112162A0
			P354- Q361					TRS.2SC2240 GR OR BL	HT322402A0
			CIRCUIT BOARD					TRS.2SA970 (GR) OR (BL)	HT109702A0
Q361			P354- SEMICONDUCTORS					P414- MISCELLANEOUS	
			TRS.C3419 Y 40V 0.8A	HT334191Y0	K401			KIT,2SA1358 O,2SC3421 O	HK135819A0
			PC=1.2W (5W)		K402			KIT,2SA1216/2SC2922(O,Y)	HK121619F0
			P414- SBR POWER AMP		K403			PAIR	
			CIRCUIT BOARD					KIT,2SA1859/C4883	HK185919C0
			P414- CAPACITORS					O/O OR Y/Y PAIR	
C405			ELECT.10μF ±20% 50V RA-2	OA10605020				P604- DSP AND μ-COM	
C412			MICA,47pF ±5% 500V	DF35470520				CIRCUIT BOARD	
			FE922H470JS		C610			P604- CAPACITORS	
C413			MICA,47pF ±5% 500V	DF35470520	C611			CER.GRM39F104Z16 0.1μF	DK98104200
			FE922H470JS		C612			ELECT.47μF ±20% 16V RA-2	OA47601620
C414			ELECT,47μF/100V	EA47610010	C613			CER.GRM39F104Z16 0.1μF	DK98104200
C415			ELECT,47μF/100V	EA47610010	C614			ELECT.47μF ±20% 16V RA-2	OA47601620
CN16			ELECT.10μF ±20% 50V RA-2	OA10605020	C615			CER.GRM39F104Z16 0.1μF	DK98104200
			P414-CAPACITORS(COMMON)		C616			ELECT.47μF ±20% 16V RA-2	OA47601620
			PLASTIC FILM CAPACITOR		C617			CER.470pF (GR39)	DK96471300
			±5% 50V : C408		C618			CER.0.01μF	DK98103300
			P414- RESISTORS		C619			ELECT.2.2μF ±20% 50V RA-2	OA22505020
R423			TRIM.470Ω RH0638CS2R	RA04710780	C620			CER.GRM39F104Z16 0.1μF	DK98104200
R424			100Ω ±5% 1/6W	GG05101160	C621			ELECT.47μF ±20% 16V RA-2	OA47601620
R425			100Ω ±5% 1/6W	GG05101160	C622			CER.GRM39F104Z16 0.1μF	DK98104200
R426			1kΩ ±5% 1/4W	GG05102140	C640			CER.GRM39F104Z16 0.1μF	DK98104200
R427			47Ω ±5% 1/4W	GG05470140	C641			ELECT.47μF ±20% 16V RA-2	OA47601620
					C642			CER.GRM39F104Z16 0.1μF	DK98104200
					C643			ELECT.47μF ±20% 16V RA-2	OA47601620

NOTE : *nsp* PART IS LISTED FOR REFERENCE ONLY, MARANTZ WILL NOT SUPPLY THESE PARTS.

PS9200

POS. NO	VERS. COLOR	PART NO. (FOR PCS)	DESCRIPTION	PART NO. (MUJ)	POS. NO	VERS. COLOR	PART NO. (FOR PCS)	DESCRIPTION	PART NO. (MUJ)
C644			CER.GRM39F104Z16 0.1μF	DK98104200	CU21			CER.GRM39F104Z16 0.1μF	DK98104200
C645			ELECT.47μF ±20% 16V RA-2	OA47601620	CU25			CER.1000pF ±10% B 50V GR36	DK96102300
C646			CER.470pF (GR39)	DK96471300	CU26			CER.GRM39F104Z16 0.1μF	DK98104200
C647			CER.0.01μF	DK98103300	CU27			CER.GRM39F104Z16 0.1μF	DK98104200
C648			ELECT.2.2μF ±20% 50V RA-2	OA22505020	CU31			CER.GRM39F104Z16 0.1μF	DK98104200
C649			CER.GRM39F104Z16 0.1μF	DK98104200	CU32			ELECT.47μF ±20% 16V RA-2	OA47601620
C650			ELECT.47μF ±20% 16V RA-2	OA47601620	CU33			CER.GRM39F104Z16 0.1μF	DK98104200
C651			CER.GRM39F104Z16 0.1μF	DK98104200	CU34			ELECT.47μF ±20% 16V RA-2	OA47601620
C652			CER.GRM39F104Z16 0.1μF	DK98104200	CU35			CER.GRM39F104Z16 0.1μF	DK98104200
C670			CER.GRM39F104Z16 0.1μF	DK98104200	CU36			ELECT.47μF ±20% 16V RA-2	OA47601620
C671			ELECT.47μF ±20% 16V RA-2	OA47601620	CU37			CER.GRM39F104Z16 0.1μF	DK98104200
C672			CER.GRM39F104Z16 0.1μF	DK98104200	CU38			ELECT.47μF ±20% 16V RA-2	OA47601620
C673			ELECT.47μF ±20% 16V RA-2	OA47601620	CU39			CER.GRM39F104Z16 0.1μF	DK98104200
C674			CER.GRM39F104Z16 0.1μF	DK98104200	CU40			ELECT.47μF ±20% 25V RA-2	OA47602520
C675			ELECT.47μF ±20% 16V RA-2	OA47601620	CU41			CER.GRM39F104Z16 0.1μF	DK98104200
C676					CU42			ELECT.47μF ±20% 16V RA-2	OA47601620
}			CER.GRM39F104Z16 0.1μF	DK98104200	CU43			CER.GRM39F104Z16 0.1μF	DK98104200
C685					CU44			CER.GRM39F104Z16 0.1μF	DK98104200
C691			ELECT.47μF ±20% 16V RA-2	OA47601620	CU45			ELECT.47μF ±20% 16V RA-2	OA47601620
C692			CER.GRM39F104Z16 0.1μF	DK98104200	CU46			CER.GRM39F104Z16 0.1μF	DK98104200
C693			ELECT.47μF ±20% 16V RA-2	OA47601620	CU47			ELECT.47μF ±20% 16V RA-2	OA47601620
CR30			CER.68pF (GR39)	DD95680300	CU50			CER.GRM39F104Z16 0.1μF	DK98104200
CR31			CER.GRM39F104Z16 0.1μF	DK98104200	CU51			ELECT.47μF ±20% 16V RA-2	OA47601620
CR32			CER.GRM39F104Z16 0.1μF	DK98104200	CU52				
CR33			CER.470pF (GR39)	DK96471300	}			CER.GRM39F104Z16 0.1μF	DK98104200
CR34			CER.GRM39F104Z16 0.1μF	DK98104200	CU60				
CR35			CER.GRM39F104Z16 0.1μF	DK98104200	CU61			CHIP,0Ω ±5% 1/16W	NN05000610
CR36			ELECT.47μF ±20% 16V RA-2	OA47601620	CU62			CER.GRM39F104Z16 0.1μF	DK98104200
CR44			CER.GRM39F104Z16 0.1μF	DK98104200	CU63			CER.GRM39F104Z16 0.1μF	DK98104200
CR50			CER.GRM39F104Z16 0.1μF	DK98104200	CU64			CHIP,0Ω ±5% 1/16W	NN05000610
CR51			CER.0.01μF	DK98103300	CU70			CER.GRM39F104Z16 0.1μF	DK98104200
CR52			CER.0.01μF	DK98103300	CU71			CER.GRM39F104Z16 0.1μF	DK98104200
CR53			CER.GRM39F104Z16 0.1μF	DK98104200	CU80			CER.GRM39F104Z16 0.1μF	DK98104200
CR54			CER.GRM39F104Z16 0.1μF	DK98104200	CU81			CER.GRM39F104Z16 0.1μF	DK98104200
CR55			ELECT.47μF ±20% 16V RA-2	OA47601620					
CR56			CER.GRM39F104Z16 0.1μF	DK98104200					
CR57			ELECT.47μF ±20% 16V RA-2	OA47601620	R601				
CR58			CER.22pF ±5% CG 50V GR39	DD95220300	}			CHIP,2.2kΩ ±5% 1/16W	NN05222610
CR59			CER.22pF ±5% CG 50V GR39	DD95220300	R607				
CR60			CER.GRM39F104Z16 0.1μF	DK98104200	R610			CHIP,27Ω ±5% 1/16W	NN05270610
CR61			ELECT.47μF ±20% 16V RA-2	OA47601620	R611			CHIP,4.7kΩ ±5% 1/16W	NN05472610
CR62			CER.GRM39F104Z16 0.1μF	DK98104200	R614				
CR63			ELECT.47μF ±20% 16V RA-2	OA47601620	}			CHIP,4.7kΩ ±5% 1/16W	NN05472610
CR64			CER.GRM39F104Z16 0.1μF	DK98104200	R623				
CR70			CER.GRM39F104Z16 0.1μF	DK98104200	R624			CHIP,22kΩ ±5% 1/16W	NN05223610
CU01			CER.GRM39F104Z16 0.1μF	DK98104200	R626			CHIP,10kΩ ±5% 1/16W	NN05103610
CU02			ELECT.47μF ±20% 16V RA-2	OA47601620	R629			CHIP,22kΩ ±5% 1/16W	NN05223610
CU03			CER.GRM39F104Z16 0.1μF	DK98104200	R630			CHIP,33kΩ ±5% 1/16W	NN05333610
CU04			ELECT.47μF ±20% 16V RA-2	OA47601620	R631			CHIP,22kΩ ±5% 1/16W	NN05223610
CU05			CER.GRM39F104Z16 0.1μF	DK98104200	R632			CHIP,4.7kΩ ±5% 1/16W	NN05472610
CU06			CER.GRM39F104Z16 0.1μF	DK98104200	R633			CHIP,4.7kΩ ±5% 1/16W	NN05472610
CU07			ELECT.47μF ±20% 16V RA-2	OA47601620	R636			CHIP,27Ω ±5% 1/16W	NN05270610
CU08			CER.GRM39F104Z16 0.1μF	DK98104200	R637			CHIP,10Ω ±5% 1/16W	NN05100610
CU09			CER.470pF (GR39)	DK96471300	R638			CHIP,27Ω ±5% 1/16W	NN05270610
CU12			CER.GRM39F104Z16 0.1μF	DK98104200	R640			CHIP,27Ω ±5% 1/16W	NN05270610
CU13			CER.GRM39F104Z16 0.1μF	DK98104200	R641			CHIP,4.7kΩ ±5% 1/16W	NN05472610
CU14			CER.GRM39F104Z16 0.1μF	DK98104200	R644				
CU15			ELECT.47μF ±20% 16V RA-2	OA47601620	}			CHIP,4.7kΩ ±5% 1/16W	NN05472610
CU16			CER.GRM39F104Z16 0.1μF	DK98104200	R653				
CU17			ELECT.10μF ±20% 16V RA-2	OA10601620	R654			CHIP,22kΩ ±5% 1/16W	NN05223610
CU18			ELECT.47μF ±20% 16V RA-2	OA47601620	R656			CHIP,10kΩ ±5% 1/16W	NN05103610
CU19			ELECT.47μF ±20% 16V RA-2	OA47601620	R657			CHIP,22kΩ ±5% 1/16W	NN05223610
CU20			CER.GRM39F104Z16 0.1μF	DK98104200	R658			CHIP,33kΩ ±5% 1/16W	NN05333610

NOTE : *nsp* PART IS LISTED FOR REFERENCE ONLY, MARANTZ WILL NOT SUPPLY THESE PARTS.

PS9200

POS. NO	VERS. COLOR	PART NO. (FOR PCS)	DESCRIPTION	PART NO. (MUJ)	POS. NO	VERS. COLOR	PART NO. (FOR PCS)	DESCRIPTION	PART NO. (MUJ)
R659			CHIP,22kΩ ±5% 1/16W	NN05223610	RU17			CHIP,4.7kΩ ±5% 1/16W	NN05472610
R660			CHIP,4.7kΩ ±5% 1/16W	NN05472610	RU20			CHIP,12kΩ ±5% 1/16W	NN05123610
R661			CHIP,4.7kΩ ±5% 1/16W	NN05472610	RU21			CHIP,12kΩ ±5% 1/16W	NN05123610
R662			CHIP,27Ω ±5% 1/16W	NN05270610	RU22			CHIP,1kΩ ±5% 1/16W	NN05102610
R663			CHIP,27Ω ±5% 1/16W	NN05270610	RU24			CHIP,100kΩ ±5% 1/16W	NN05104610
R664			CHIP,27Ω ±5% 1/16W	NN05270610	RU25				
R665			CHIP,47Ω ±5% 1/16W	NN05470610	∫			CHIP,4.7kΩ ±5% 1/16W	NN05472610
R666			CHIP,47Ω ±5% 1/16W	NN05470610	RU28				
R671					RU29			CHIP,1MΩ ±5% 1/16W	NN05105610
∫			CHIP,22kΩ ±5% 1/16W	NN05223610	RU31			CHIP,22kΩ ±5% 1/16W	NN05223610
R679					RU32			CHIP,22kΩ ±5% 1/16W	NN05223610
R681			CHIP,33Ω ±5% 1/16W	NN05330610	RU37			CHIP,22kΩ ±5% 1/16W	NN05223610
R682			CHIP,27Ω ±5% 1/16W	NN05270610	RU38			CHIP,100Ω ±5% 1/16W	NN05101610
R683			CHIP,27Ω ±5% 1/16W	NN05270610	RU39			CHIP,22kΩ ±5% 1/16W	NN05223610
R684			CHIP,10Ω ±5% 1/16W	NN05100610	RU41			CHIP,1.2kΩ ±5% 1/16W	NN05122610
R685			CHIP,27Ω ±5% 1/16W	NN05270610	RU42			CHIP,390Ω ±5% 1/16W	NN05391610
R686			CHIP,27Ω ±5% 1/16W	NN05270610	RU43			CHIP,1.2kΩ ±5% 1/16W	NN05122610
R687			CHIP,27Ω ±5% 1/16W	NN05270610	RU44			CHIP,2.2kΩ ±5% 1/16W	NN05222610
R688			CHIP,10kΩ ±5% 1/16W	NN05103610	RU50			CHIP,4.7kΩ ±5% 1/16W	NN05472610
R689			CHIP,10kΩ ±5% 1/16W	NN05103610	RU51			CHIP,4.7kΩ ±5% 1/16W	NN05472610
R691					RU56			CHIP,22kΩ ±5% 1/16W	NN05223610
∫			CHIP,22kΩ ±5% 1/16W	NN05223610	RU57			CHIP,22kΩ ±5% 1/16W	NN05223610
R694					RU58			CHIP,4.7kΩ ±5% 1/16W	NN05472610
RR30			CHIP,75Ω ±5% 1/16W	NN05750610	RU60			CHIP,47Ω ±5% 1/16W	NN05470610
RR31			CHIP,27Ω ±5% 1/16W	NN05270610	RU61			CHIP,220Ω ±5% 1/16W	NN05221610
RR32			CHIP,22kΩ ±5% 1/16W	NN05223610	RU62			CHIP,47Ω ±5% 1/16W	NN05470610
RR33			CHIP,22kΩ ±5% 1/16W	NN05223610	RU63			CHIP,18kΩ ±5% 1/16W	NN05183610
RR50			CHIP,8.2kΩ ±5% 1/16W	NN05822610	RU64			CHIP,220Ω ±5% 1/16W	NN05221610
RR51			CHIP,5.1kΩ ±5% 1/16W	NN0551261R	RU65			CHIP,47kΩ ±5% 1/16W	NN05473610
RR52			CHIP,5.1kΩ ±5% 1/16W	NN0551261R	RU66			CHIP,47kΩ ±5% 1/16W	NN05473610
RR53			CHIP,75Ω ±5% 1/16W	NN05750610	RU67			CHIP,220Ω ±5% 1/16W	NN05221610
RR54			CHIP,33Ω ±5% 1/16W	NN05330610	RU70			CHIP,22kΩ ±5% 1/16W	NN05223610
RR55			CHIP,22Ω ±5% 1/16W	NN05220610	RU71			CHIP,22kΩ ±5% 1/16W	NN05223610
RR56			CHIP,22Ω ±5% 1/16W	NN05220610	RU72				
RR57			CHIP,22Ω ±5% 1/16W	NN05220610	∫			CHIP,0Ω ±5% 1/16W	NN05000610
RR58			CHIP,33Ω ±5% 1/16W	NN05330610	RU78				
RR59			CHIP,1MΩ ±5% 1/16W	NN05105610	RU80			68Ω ±5% 1/4W	GG05680140
RR60			CHIP,2.2kΩ ±5% 1/16W	NN05222610	RU81			CHIP,10kΩ ±5% 1/16W	NN05103610
RR61			CHIP,22kΩ ±5% 1/16W	NN05223610	RU82			CHIP,22kΩ ±5% 1/16W	NN05223610
RR63			CHIP,22kΩ ±5% 1/16W	NN05223610	RU83			CHIP,6.8kΩ ±5% 1/16W	NN05682610
RR65			CHIP,22kΩ ±5% 1/16W	NN05223610	RU84			2.2Ω ±5% 1/4W	GG05022140
RR66			CHIP,10kΩ ±5% 1/16W	NN05103610	RU85			CHIP,22kΩ ±5% 1/16W	NN05223610
RR72			CHIP,22Ω ±5% 1/16W	NN05220610	RU87			68Ω ±5% 1/4W	GG05680140
RR73			CHIP,33Ω ±5% 1/16W	NN05330610	RU88			CHIP,10kΩ ±5% 1/16W	NN05103610
RR74			CHIP,22Ω ±5% 1/16W	NN05220610	RU89			CHIP,22kΩ ±5% 1/16W	NN05223610
RR75			CHIP,10Ω ±5% 1/16W	NN05100610	RU90			CHIP,6.8kΩ ±5% 1/16W	NN05682610
RR76			CHIP,22Ω ±5% 1/16W	NN05220610	RU91			2.2Ω ±5% 1/4W	GG05022140
RR77			CHIP,33Ω ±5% 1/16W	NN05330610	RU92			CHIP,22kΩ ±5% 1/16W	NN05223610
RU01			CHIP,12kΩ ±5% 1/16W	NN05123610	RU94			2.2Ω ±5% 1/4W	GG05022140
RU02			CHIP,12kΩ ±5% 1/16W	NN05123610	RU95			CHIP,220Ω ±5% 1/16W	NN05221610
RU03			CHIP,12kΩ ±5% 1/16W	NN05123610					
RU04			CHIP,2.2kΩ ±5% 1/16W	NN05222610					
RU05			CHIP,2.2kΩ ±5% 1/16W	NN05222610	DU01			CHIP DIODE,1SS301	HZ20028050
RU06			CHIP,100Ω ±5% 1/16W	NN05101610	DU80			CHIP DIODE,1SS301	HZ20028050
RU07			CHIP,3kΩ ±5% 1/16W	NN05302610	DU81			CHIP DIODE,1SS301	HZ20028050
RU08			CHIP,0Ω ±5% 1/16W	NN05000610	Q600			CHIP FET (2SK),HN1K05FU	HY22010050
RU09			CHIP,4.7kΩ ±5% 1/16W	NN05472610				2SK2824 X 2	
RU10			CHIP,1.2kΩ ±5% 1/16W	NN05122610	Q601			CHIP FET (2SK),HN1K05FU	HY22010050
RU11			CHIP,1kΩ ±5% 1/16W	NN05102610				2SK2824 X 2	
RU12			CHIP,1.2kΩ ±5% 1/16W	NN05122610	Q610			IC,CS493292	HC10009880
RU13			CHIP,12kΩ ±5% 1/16W	NN05123610				AUDIO DSP CRYSTAL	
RU14			CHIP,12kΩ ±5% 1/16W	NN05123610	Q611			IC,TC74VHCT245AFT	HC009805K0
RU15			CHIP,47kΩ ±5% 1/16W	NN05473610	Q640			IC,CS493292	HC10009880
								AUDIO DSP CRYSTAL	

NOTE : *nsp* PART IS LISTED FOR REFERENCE ONLY, MARANTZ WILL NOT SUPPLY THESE PARTS.

PS9200

POS. NO	VERS. COLOR	PART NO. (FOR PCS)	DESCRIPTION	PART NO. (MUJ)	POS. NO	VERS. COLOR	PART NO. (FOR PCS)	DESCRIPTION	PART NO. (MUJ)
Q641			IC,TC74VHCT245AFT	HC009805K0				P604- MISCELLANEOUS	
Q670			IC,128KX8 SRAM 3.3V 10NS SOJ	HC10143990	J600			RETAINER, GND TERMINAL	320J104010
Q671			IC,MBM29LV400TC-90P	HC60021000	JR30			TERMINAL,14X14 RA 1L1P BLK	YT02010790
Q673			IC,TC74VHCT244AFT	HC009705K0	JR31			AU FLM-GND	
Q674			IC,TC74VHC574FT	HC009605K0	JU50			OPT. CONNECTOR,JFJ300	YJ15000210
Q675			IC,TC74VHC574FT	HC009605K0	JU61			JACK,DELC-J9PAF-20L9	YJ90001220
Q676			IC,TC74VHCT245AFT	HC009805K0	JU62			TERMINAL,2P CINCH PINJACK	YT02020890
Q680			IC,TC74VHCT541AFT	HC008805K0	JU80			TERMINAL,CINCH PIN JACK	YT02021740
Q681			IC,TC74VHC08FT TAPING	HC008205K0				GRN-GRN	
Q682			IC,TC74VHC32FT	HC009505K0	JU82			JACK,3.5MM MINI JACK	YJ01004750
Q683			IC,TC74VHC00FS	HC005105K0				LGA6502-0150	
Q684			IC,TC74VHC32FT	HC009505K0				JACK,LGY6501-0600	YJ01004670
Q685			IC,TC74VHC125FT	HC009405K0	L691			3.5 MINI JACK	
QR44			IC,TC74VHC08FT TAPING	HC008205K0	LR30			EMI FILTER,DSS306-91-F-223Z	FM12223010
QR50			IC,LC89055 (SPDIF RECORDER)	HC10405030				PULSE TRANSF.	TP41042030
QR70			IC,TC74VHCT541AFT	HC008805K0	LU01			TPS247MN-0386AN)	
QU01			IC,H8S/2633 FP-128	HC60022010				FERRITE CORE,	FC90020120
QU02			IC,PST600D-2 RESET TAPING	HC10098550				BK1608HM102-T BEADS	
QU03			DIG.TRS.RN2303 (PNPX1(22K+22K))	BA10013050	LU54				
QU05			DIG.TRS.DTC124EU,RN1303 UMT TYPE	BA21303000	LU71			FERRITE CORE,	FC90020120
QU20			IC,TC74VHC00FS	HC005105K0				BK1608HM102-T BEADS	
QU21			IC,TC74VHC125FT	HC009405K0					
▲ QU41			IC, PQ30RV11	HC36930320				EMI FILTER,DSS306-91-F-223Z	FM12223010
QU42			DIG.TRS.DTC124EU,RN1303 UMT TYPE	BA21303000	LU86			FERRITE CORE,	FC90020120
QU43			TRS.2SA950 (GR,R)	HT109501A0	LU87			BK1608HM102-T BEADS	
QU50			IC,HIN202ECB 16LEAD WIDE BODY	HC10204990	SU02			PUSH SW.SPUJ191000 WITH KNOB	SP02022320
QU60			DIG.TRS.DTC124EU,RN1303 UMT TYPE	BA21303000	XR50			CRYSTAL,12.288MHZ (AT-49)	JX12013260
QU61			DIG.TRS.RN2303 (PNPX1(22K+22K))	BA10013050	XU01			SERAMVIB.CSTLS 5.0MHZ	FQ05004050
QU62			DIG.TRS.DTC124EU,RN1303 UMT TYPE	BA21303000				P814- BACKUP TRANSF, AC OUTLET CIRCUIT BOARD	
QU63			DIG.TRS.RN2303 (PNPX1(22K+22K))	BA10013050	▲ C802			P814- CAPACITORS	
QU65			DIG.TRS.RN2303 (PNPX1(22K+22K))	BA10013050	▲ C803			CER. DE1607-1F 103M-KH	DK17103910
QU66			DIG.TRS.DTC124EU,RN1303 UMT TYPE	BA21303000	C804			CER. DE1607-1F 103M-KH	DK17103910
QU67			DIG.TRS.RN2303 (PNPX1(22K+22K))	BA10013050	C805			CER.100pF UP050B101K-A	DA16101110
QU68			DIG.TRS.RN2303 (PNPX1(22K+22K))	BA10013050	C811			ELECT.100µF ±20% 10V RA-2	OA10701020
▲ QU69			PHOTO CUPLER, PC-817 1PAIR	HW10006320	C812			ELECT.470µF 25V ±20% RA-2	OA47702520
QU70			IC,ATMEL AT24C08 8PIN SOIC	HC10191990	C813			ELECT.47µF ±20% 25V RA-2	OA47602520
QU71			IC,PCF8574I(I/O EXPANDER)	HC10068490	▲ C815			ELECT. 4700µF 16V	OA47801620
QU80			TRS.2SA970 (GR) OR (BL)	HT109702A0	C814			CER.50V DC 0.1µF +80-20%	DD38104010
QU81			DIG.TRS.DTC124EU,RN1303 UMT TYPE	BA21303000	C815			CER.50V DC 0.1µF +80-20%	DD38104010
QU82			DIG.TRS.RN2303 (PNPX1(22K+22K))	BA10013050	C816			CER.50V DC 0.1µF +80-20%	DD38104010
QU83			TRS.2SA970 (GR) OR (BL)	HT109702A0	C817			ELECT.100µF ±20% 16V RA-2	OA10701620
QU84			DIG.TRS.DTC124EU,RN1303 UMT TYPE	BA21303000				P814- RESISTORS	
QU85			DIG.TRS.RN2303 (PNPX1(22K+22K))	BA10013050	▲ R801			ROTOR , 2.2Ω 7W W/TEMP.FUSE	NQ15022070
QU86			DIG.TRS.DTC124EU,RN1303 UMT TYPE	BA21303000	▲ R802			ROTOR , 2.2Ω 7W W/TEMP.FUSE	NQ15022070
					R807			1Ω ±5% 1/4W	GG05010140
					R808			470Ω ±5% 1/4W	GG05471140
					R811			470Ω ±5% 1/6W	GG05471160
					R***			P814- RESISTORS(COMMON)	
								CARBON FILM FIXED RES. ±5% 1/6W : R803 R804 R805 R806 R812 R813	

NOTE : *nsp* PART IS LISTED FOR REFERENCE ONLY, MARANTZ WILL NOT SUPPLY THESE PARTS.

PS9200

POS. NO	VERS. COLOR	PART NO. (FOR PCS)	DESCRIPTION	PART NO. (MJJ)	POS. NO	VERS. COLOR	PART NO. (FOR PCS)	DESCRIPTION	PART NO. (MJJ)
			P814- SEMICONDUCTORS					P834-CAPACITORS(COMMON)	
D801			DIODE,1D3 1A/200V	HD20002710	C***			PLASTIC FILM CAPACITOR	
D802			DIODE,1D3 1A/200V	HD20002710				±5% 50V : C512	
D803			DIODE,1SS176,MA165,1SS254	HD20002000					
D804			30V 0.1A		C***			HIGH DIELECTRIC CONSTANT	
▲ D811			DIODE, 1D3 1A/200V	HD20002710				CER. CAPACITOR ±10% 50V :	
▲ } D816								C513	
D817			ZENER,5.1V EQUIVALENT	HD30511000	R538			P834- RESISTORS	
Q801			TRS.2SA1048 Y OR GR	HT110482B0	R539			330Ω ±5% 1/4W	GG05331140
Q802			TRS.2SA1048 Y OR GR	HT110482B0	R831			330Ω ±5% 1/4W	GG05331140
Q803			DIG.TRS.DTC114ES/UN4211	BA20001000	R832			100Ω ±5% 1/4W	GG05101140
▲ Q811			10K,10K		R833			100Ω ±5% 1/4W	GG05101140
Q812			IC, NJM78M05FA	HC38505090	R834			1Ω ±5% 1/2W	GG05010120
			IC,PST600D-2 RESET TAPING	HC10098550	R835			1Ω ±5% 1/4W	GG05010140
					R836			100Ω ±5% 1/6W	GG05101160
▲ F801			P814- MISCELLANEOUS		RN24			1Ω ±5% 1/4W	GG05010140
▲ J801			FUSE, 12A 250V	FS11200440					
▲ L801			UL,CSA,MITI NO.314		R***			P834- RESISTORS(COMMON)	
▲ L802			JACK, 2P AC OUTLET	YJ04002040				CARBON FILM FIXED RES.	
▲ L811			(CCT1304-0212)					±5% 1/6W : R536 R537	
			RELAY, VS24MB-NR TV-8	LY10240240				R551-R563 RN25 RN26 RN46	
			POWER RELAY,G5PA-1 5A	LY10120400					
			POWER TRANSF. AC100V	TS13521090					
					D501			P834- SEMICONDUCTORS	
▲ C801			P824- POWER SW					DIODE,1SS176,MA165,1SS254	HD20002000
			(EXEPT U)					30V 0.1A	
			CIRCUIT BOARD					DIODE,1D3 1A/200V	HD20002710
			P824- CAPACITORS					DIODE,1D3 1A/200V	HD20002710
			CER. DE1307-1E 472M-KH	DK17472910	▲ D831				
					▲ }				
▲ S801			P824- MISCELLANEOUS		▲ D838				
			PUSH SW. MAINS POWER	SP01013800	D839			ZENER,MTZJ33D	HD33301000
			ESB92S17B		D840			ZENER,6.8V EQUIVALENT	HD30681000
					▲ D841			DIODE, 600V 25A	HE20029290
								BRIDGE-DI D25XB60	
			P834- POWER SUPPLY		▲ DN01			DIODE, 1D3 1A/200V	HD20002710
			FOR POWER AMP		▲ DN02			DIODE, 1D3 1A/200V	HD20002710
			CIRCUIT BOARD		DN03			ZENER,MTZJ2.0B	HD30201000
			P834- CAPACITORS		DN04			ZENER,MTZJ2.0B	HD30201000
C511			CER.100pF UP050B101K-A	DA16101110	Q503			TRS.2SC2458 Y OR GR	HT324582B0
C514			ELECT,47µF/16V	EJ47601610	Q504			TRS.2SC2458 Y OR GR	HT324582B0
C831			ELECT.ELNA RA2 16X25	OA10805020	Q505			DIG.TRS.DTC114ES/UN4211	BA20001000
C832			ELECT.470µF ±20% 50V RA-2	OA47705020				10K,10K	
C833					Q506			TRS.2SC2458 Y OR GR	HT324582B0
▲ } C836			CER.50V DC 0.1µF +80-20%	DD38104010	Q507			TRS.2SC2458 Y OR GR	HT324582B0
C837					Q508			TRS.2SA1048 Y OR GR	HT110482B0
C838			ELECT.100µF ±20% 25V RA-2	OA10702520	▲ Q831			IC, NJM78M18FA	HC38518090
C839			ELECT.100µF ±20% 25V RA-2	OA10702520	▲ Q832			IC, -18V 500MA REG.	HC39518090
C840			ELECT.100µF ±20% 50V RA-2	OA10705020				NJM79M18FA JR	
C841			CER.50V DC 0.1µF +80-20%	DD38104010	▲ Q833			IC, NJM78M18FA	HC38518090
C842			CER.50V DC 0.1µF +80-20%	DD38104010					
▲ } C845			ELECT.35XL90 VNSD	OB18907120	▲ L501			P834- MISCELLANEOUS	
C846					▲ L502			RELAY, VSB24STB 16A AVSS	LY10240300
C847			CER.50V DC 0.1µF +80-20%	DD38104010				RELAY, VSB24STB 16A AVSS	LY10240300
C848			ELECT.100µF ±20% 25V RA-2	OA10702520					
▲ CN07			CER.50V DC 0.1µF +80-20%	DD38104010				P844- AC INLET	
CN08			ELECT. 220µF ±20% 50V RA-2	OA22705020				CIRCUIT BOARD	
CN09			CER.100pF UP050B101K-A	DA16101110				P844- MISCELLANEOUS	
			CER.100pF UP050B101K-A	DA16101110	▲ J810			JACK, 2P MAINS INLET	YJ04002440
								PWI1910-H	

NOTE : *nsp* PART IS LISTED FOR REFERENCE ONLY, MARANTZ WILL NOT SUPPLY THESE PARTS.

PS9200

POS. NO	VERS. COLOR	PART NO. (FOR PCS)	DESCRIPTION	PART NO. (MJI)	POS. NO	VERS. COLOR	PART NO. (FOR PCS)	DESCRIPTION	PART NO. (MJI)
			PC04- FRONT CIRCUIT BOARD		QC04			PHOTO UNIT,	HW10002620
			PC04- CAPACITORS		QC05			IR SENSOR TSOP 1136 TB1	BA10001000
CC01	}		CER.50V DC 0.1μF +80-20%	DD38104010	QC06			DIG.TRS.DTA114ES/UN4111	BA10001000
CC05					QC07			10K,10K	BA10001000
CC07			CER.390pF	DA16391110	QC08			DIG.TRS.DTA114ES/UN4111	BA10001000
CC08			CER.100pF UP050B101K-A	DA16101110	QC09			10K,10K	HT30001000
CC09			CER.CER. 0.1μF Z 50V	DA17104110	QC10			TRS.C2458,C1740S,C3199,ETC	HT321201A0
CC10			CER.CER. 0.1μF Z 50V	DA17104110	QC11			TRS.2SC2120 O	HT321201A0
CC11			CER.CER. 0.1μF Z 50V	DA17104110				IC,PST600D-2 RESET TAPING	HC10098550
CC12			CER.50V DC 0.1μF +80-20%	DD38104010					
CC13			CER.CER. 0.1μF Z 50V	DA17104110					
CC16			CER.50V DC 0.1μF +80-20%	DD38104010					
CC17			CER.0.022μF Z 50V	DK18223310	SC01			PC04- MISCELLANEOUS	
CC18			ELECT,47μF/6.3V	EJ47600610	}			PUSH SW.EVQ11L05R H/5MM,	SP01013370
CC21			CER.50V DC 0.1μF +80-20%	DD38104010				160GF	
CC22			CER.50V DC 0.1μF +80-20%	DD38104010	SC26				
CC30			ELECT,10μF/50V	EJ10605010	SC27			ROTALY ENCODER,	SR02010080
CC31			CER.CER. 0.1μF Z 50V	DA17104110				EC16B 16PLS 16CLICK	
CC32			CER.CER. 0.1μF Z 50V	DA17104110	VC01			DISPLAY UNIT,16-BT-92GNK	HQ31601410
CC33			CER.CER. 0.1μF Z 50V	DA17104110					
CC34			ELECT,10μF/16V	EJ10601610					
CC35			CER.50V DC 0.1μF +80-20%	DD38104010					
CC36			ELECT,100μF/6.3V	EJ10700610	SC70			PC74- UP/DOWN SW CIRCUIT BOARD	
CC38			CER.50V DC 0.1μF +80-20%	DD38104010				PC74- MISCELLANEOUS	
CC40			CER.10000pF	DA17103110	SC71			PUSH SW.EVQ11L05R	SP01013370
CC41			CER.10000pF	DA17103110				H/5MM,160GF	SP01013370
CC43			ELECT,100μF/6.3V	EJ10700610				PUSH SW.EVQ11L05R	SP01013370
CC44			CER.50V DC 0.1μF +80-20%	DD38104010				H/5MM,160GF	
CC50			ELECT.100μF ±20% 10V RA-2	OA10701020					
CC51			ELECT.100μF ±20% 50V RA-2	OA10705020					
			PC04-CAPACITORS(COMMON)		CC80			PC84- VOLUME ENCODER CIRCUIT BOARD	
CC**			PLASTIC FILM CAPACITOR		CC81			PC84- CAPACITORS	
			±5% 50V : CC20		CC82			CER.50V DC 0.1μF +80-20%	DD38104010
								CER.10000pF	DA17103110
								CER.10000pF	DA17103110
			PC04- RESISTORS		R***			PC84- RESISTORS(COMMON)	
RC08			COMPO.RKC13BS473J	BW05473230				CARBON FILM FIXED RES.	
			±5% P1.8					±5% 1/6W : RC80-RC85	
RC09			COMPO.RKC13BS473J	BW05473230					
			±5% P1.8						
RC10			COMPO.RKC13BS103J	BW05103330	SC80			PC84- MISCELLANEOUS	
			±5% P1.8					PUSH SW.EVQ11L05R H/5MM,	SP01013370
RC11			COMPO.RKC13BS473J	BW05473230	SC81			160GF	SP01013370
			±5% P1.8		SC82			PUSH SW.EVQ11L05R H/5MM,	SP01013370
								160GF	
			PC04- RESISTORS(COMMON)					ROTALY ENCODER,	SR02010070
R***			CARBON FILM FIXED RES.					36PULSE EC16B	
			±5% 1/6W : RC01-RC04 RC06						
			RC12 RC13 RC17-RC21						
			RC24-RC50 RC52						
			PC04- SEMICONDUCTORS		CA01			PD04- DIG IN/ADC/DAC CIRCUIT BOARD	
DC01			L.E.D.GL3ED8 SHARP	HI10099320	}			PD04- CAPACITORS	
DC02								CER.0.1μF ±10% B 10V	DK96104200
}					CA05				
			L.E.D.SLR-932AV-8K A RANK	HI20006030	CA06			CER.GRM39F104Z16 0.1μF	DK98104200
			5MM P2.5		}				
DC05					CA09				
DC06			DIODE,1SS176,MA165,1SS254	HD20002000	CA10			ELECT.47μF ±20% 25V RA-2	OA47602520
			30V 0.1A		CA12			ELECT.47μF ±20% 25V RA-2	OA47602520
QC01			IC,NJM3430FG1	HC10220090	CA14				
QC02			TRS.C2458,C1740S,C3199,ETC	HT30001000	}			CER.GRM39F104Z16 0.1μF	DK98104200
QC03			TRS.C2458,C1740S,C3199,ETC	HT30001000	CA20				

NOTE : *nsp* PART IS LISTED FOR REFERENCE ONLY, MARANTZ WILL NOT SUPPLY THESE PARTS.

PS9200

POS. NO	VERS. COLOR	PART NO. (FOR PCS)	DESCRIPTION	PART NO. (MJJ)	POS. NO	VERS. COLOR	PART NO. (FOR PCS)	DESCRIPTION	PART NO. (MJJ)
CD01			ELECT.10μF ±20% 50V RA-2	OA10605020	CH37			FILM,APSV 471J, 470pF(TP) 100V PP	OF15471540
CD04					CH40				
CD05			CER.GRM39F104Z16 0.1μF	DK98104200	CH41			FILM,APSV 221J, 220pF(TP) 100V PP	OF15221540
CD12					CH42			FILM,APSV 221J, 220pF(TP) 100V PP	OF15221540
CD13			ELECT.100μF 10V ARA	OA10701050	CH43			CER.47pF ±5% CG 50V GR39	DD95470300
CD16					CH44			CER.47pF ±5% CG 50V GR39	DD95470300
CD17			CER.GRM39F104Z16 0.1μF	DK98104200	CH45			ELECT.22μF 25V ARA	OA22602550
CD20					CH46			ELECT.22μF 25V ARA	OA22602550
CD21			ELECT.100μF ±20% 10V RA-2	OA10701020	CH47			FILM,APSV 471J, 470pF(TP) 100V PP	OF15471540
CD24					CH48			FILM,APSV 471J, 470pF(TP) 100V PP	OF15471540
CD25			CER.GRM39F104Z16 0.1μF	DK98104200	CH49			CER.GRM39F104Z16 0.1μF	DK98104200
CD28					CH56				
CD29			ELECT.10μF ±20% 50V RA-2	OA10605020	CJ01			FILM,820pF ±5% 50V	DF15821350
CD32					CJ08				
CD33			CER.GRM39F104Z16 0.1μF	DK98104200	CJ09			FILM,APSV 271J, 270pF(TP) 100V PP	OF15271540
CD36					CJ16			ELECT.22μF 25V ARA	OA22602550
CD37			ELECT.10μF ±20% 50V RA-2	OA10605020	CJ17			ELECT.22μF ±20% 50V RA-2	OA22605020
CD40					CJ18			ELECT.22μF 25V ARA	OA22602550
CD41			CER.100pF ±5% CG 50V GR39	DD95101300	CJ19			ELECT.22μF 25V ARA	OA22602550
CD44					CJ20			ELECT.22μF 25V ARA	OA22602550
CD50			CER.0.01μF	DK98103300	CJ21			FILM,APSV 561J 560pF(TP) 100V PP	OF15561540
CD53			CER.GRM39F104Z16 0.1μF	DK98104200	CJ24			ELECT.22μF ±20% 50V RA-2	OA22605020
CD54			CER.GRM39F104Z16 0.1μF	DK98104200	CJ25				
CD55					CJ28			CER.22pF ±5% CG 50V GR39	DD95220300
CD56			CER.0.01μF	DK98103300	CJ29			ELECT.22μF 25V ARA	OA22602550
CD59			CER.0.01μF	DK98103300	CJ32			ELECT.22μF ±20% 50V RA-2	OA22605020
CD60					CJ33			ELECT.22μF 25V ARA	OA22602550
CD65			ELECT.10μF ±20% 50V RA-2	OA10605020	CJ34			ELECT.22μF 25V ARA	OA22602550
CH01			FILM,820pF ±5% 50V	DF15821350	CJ35			ELECT.22μF 25V ARA	OA22602550
CH08					CJ36			ELECT.22μF 25V ARA	OA22602550
CH09					CJ37			FILM,APSV 471J, 470pF(TP) 100V PP	OF15471540
CH16			FILM,APSV 271J, 270pF(TP) 100V PP	OF15271540	CJ40				
CH17					CJ41			CER.GRM39F104Z16 0.1μF	DK98104200
CH20			ELECT.22μF 25V ARA	OA22602550	CJ48			0Ω ±5% 1/4W	GD05000140
CH21					CK01			0Ω ±5% 1/4W	GD05000140
CH24			FILM,APSV 561J 560pF(TP) 100V PP	OF15561540	CK02			ELECT.22μF ±20% 50V RA-2	OA22605020
CH25					CK03			ELECT.22μF ±20% 50V RA-2	OA22605020
CH28			ELECT.22μF ±20% 50V RA-2	OA22605020	CK04			CER.150pF ±5% CG 50V GR39	DD95151300
CH29					CK05			CER.150pF ±5% CG 50V GR39	DD95151300
CH32			CER.22pF ±5% CG 50V GR39	DD95220300	CK06			CER.100pF ±5% CG 50V GR39	DD95101300
CH33					CK07			CER.100pF ±5% CG 50V GR39	DD95101300
CH36			ELECT.22μF 25V ARA	OA22602550	CK08			FILM,APSV 471J, 470pF(TP) 100V PP	OF15471540
					CK09			FILM,APSV 471J, 470pF(TP) 100V PP	OF15471540
					CK10				

NOTE : *nsp* PART IS LISTED FOR REFERENCE ONLY, MARANTZ WILL NOT SUPPLY THESE PARTS.

PS9200

POS. NO	VERS. COLOR	PART NO. (FOR PCS)	DESCRIPTION	PART NO. (MJJ)	POS. NO	VERS. COLOR	PART NO. (FOR PCS)	DESCRIPTION	PART NO. (MJJ)
CK11			CER.GRM39F104Z16 0.1µF	DK98104200	RH41			CHIP,10kΩ ±5% 1/16W	NN05103610
CK17					RH44				
CK18			ELECT.10µF ±20% 50V RA-2	OA10605020	RH45				
CK19			ELECT.1µF ±20% 50V RA-2	OA10505020				CHIP,470Ω ±5% 1/16W	NN05471610
CK20			ELECT.1µF ±20% 50V RA-2	OA10505020	RH48				
CK21					RH49				
CK24			CER.47pF ±5% CG 50V GR39	DD95470300				CHIP,100kΩ ±5% 1/16W	NN05104610
CK25			CER.GRM39F104Z16 0.1µF	DK98104200	RH52				
CK26			CER.GRM39F104Z16 0.1µF	DK98104200	RH53			CHIP,4.7kΩ ±5% 1/16W	NN05472610
CK27			CER.47pF ±5% CG 50V GR39	DD95470300	RH54			CHIP,4.7kΩ ±5% 1/16W	NN05472610
CK28			CER.47pF ±5% CG 50V GR39	DD95470300	RH55			CHIP,3.3kΩ ±5% 1/16W	NN05332610
CK29			CER.0.1µF 50V F	DK98104300	RH56			CHIP,3.3kΩ ±5% 1/16W	NN05332610
CK30			C1608JF1H104Z		RH57			CHIP,4.7kΩ ±5% 1/16W	NN05472610
CK51			CER.0.22µF ±10% B 10V	DK96224200	RH58			CHIP,4.7kΩ ±5% 1/16W	NN05472610
CK52			CER.GRM39F104Z16 0.1µF	DK98104200	RH59			CHIP,3.3kΩ ±5% 1/16W	NN05332610
CK53			CER.GRM39F104Z16 0.1µF	DK98104200	RH60			CHIP,3.3kΩ ±5% 1/16W	NN05332610
CK54			ELECT.10µF ±20% 50V RA-2	OA10605020	RH61			CHIP,470Ω ±5% 1/16W	NN05471610
CK55			ELECT.10µF ±20% 50V RA-2	OA10605020	RH62			CHIP,470Ω ±5% 1/16W	NN05471610
CK56			CER.GRM39F224Z16 0.22µF	DK98224200	RH63			CHIP,100kΩ ±5% 1/16W	NN05104610
CK57			CER.GRM39F224Z16 0.22µF	DK98224200	RH64			CHIP,100kΩ ±5% 1/16W	NN05104610
CK58			CER.GRM39F104Z16 0.1µF	DK98104200	RJ01				
CK59			CER.GRM39F104Z16 0.1µF	DK98104200				CHIP,2.2kΩ ±5% 1/16W	NN05222610
CK60			ELECT.100µF ±20% 10V RA-2	OA10701020	RJ28				
CK61			ELECT.100µF ±20% 10V RA-2	OA10701020	RJ29				
CK68			CER.470pF (GR39)	DK96471300				CHIP,100kΩ ±5% 1/16W	NN05104610
			CER.470pF (GR39)	DK96471300	RJ32				
			PD04- RESISTORS		RJ33			CHIP,22kΩ ±5% 1/16W	NN05223610
RA01					RJ34			CHIP,4.7kΩ ±5% 1/16W	NN05472610
RA05			CHIP,75Ω ±5% 1/16W	NN05750610	RJ35			CHIP,10kΩ ±5% 1/16W	NN05103610
RA06					RJ36			CHIP,10kΩ ±5% 1/16W	NN05103610
RA10			CHIP,1kΩ ±5% 1/16W	NN05102610	RJ37			CHIP,560kΩ ±5% 1/16W	NN05564610
RA11					RJ38			CHIP,68kΩ ±5% 1/16W	NN05683610
RA15			CHIP,100kΩ ±5% 1/16W	NN05104610	RJ39			CHIP,120kΩ ±5% 1/16W	NN05124610
RA16					RJ40			CHIP,120kΩ ±5% 1/16W	NN05124610
RA20			CHIP,4.7kΩ ±5% 1/16W	NN05472610	RJ41				
RA21								CHIP,10kΩ ±5% 1/16W	NN05103610
RA24			CHIP,10kΩ ±5% 1/16W	NN05103610	RJ44				
RD01					RJ45				
RD08			CHIP,1kΩ ±5% 1/16W	NN05102610				CHIP,470Ω ±5% 1/16W	NN05471610
RD09			CHIP,10kΩ ±5% 1/16W	NN05103610	RJ48				
RH01			CHIP,2.2kΩ ±5% 1/16W	NN05222610	RJ49				
RH28								CHIP,100kΩ ±5% 1/16W	NN05104610
RH29					RJ52				
RH32			CHIP,100kΩ ±5% 1/16W	NN05104610	RK01			CHIP,6.8kΩ ±5% 1/16W	NN05682610
RH33			CHIP,22kΩ ±5% 1/16W	NN05223610	RK02			CHIP,6.8kΩ ±5% 1/16W	NN05682610
RH34			CHIP,22kΩ ±5% 1/16W	NN05223610	RK03			CHIP,3.9kΩ ±5% 1/16W	NN05392610
RH35			CHIP,10kΩ ±5% 1/16W	NN05103610	RK04			CHIP,3.9kΩ ±5% 1/16W	NN05392610
RH36			CHIP,10kΩ ±5% 1/16W	NN05103610	RK05			CHIP,2.7kΩ ±5% 1/16W	NN05272610
RH37			CHIP,10kΩ ±5% 1/16W	NN05103610	RK06			CHIP,2.7kΩ ±5% 1/16W	NN05272610
RH38			CHIP,560kΩ ±5% 1/16W	NN05564610	RK07			CHIP,2.2kΩ ±5% 1/16W	NN05222610
RH39			CHIP,560kΩ ±5% 1/16W	NN05564610	RK08			CHIP,2.2kΩ ±5% 1/16W	NN05222610
RH40			CHIP,120kΩ ±5% 1/16W	NN05124610	RK09			CHIP,4.7kΩ ±5% 1/16W	NN05472610
			CHIP,120kΩ ±5% 1/16W	NN05124610	RK10			CHIP,4.7kΩ ±5% 1/16W	NN05472610
					RK11				
								CHIP,10kΩ ±5% 1/16W	NN05103610
					RK14				
					RK15				
								CHIP,330Ω ±5% 1/16W	NN05331610
					RK18				
					RK19			CHIP,2.2kΩ ±5% 1/16W	NN05222610
					RK20			CHIP,2.2kΩ ±5% 1/16W	NN05222610
					RK21			CHIP,1MΩ ±5% 1/16W	NN05105610

NOTE : *nsp* PART IS LISTED FOR REFERENCE ONLY, MARANTZ WILL NOT SUPPLY THESE PARTS.

PS9200

POS. NO	VERS. COLOR	PART NO. (FOR PCS)	DESCRIPTION	PART NO. (MJJ)	POS. NO	VERS. COLOR	PART NO. (FOR PCS)	DESCRIPTION	PART NO. (MJJ)
RK23			CHIP,22kΩ ±5% 1/16W	NN05223610	QK03			IC,NJM2115M	HC10172090
}					QK04			IC,NJM2115M	HC10172090
RK28					QK05			IC,NJM2068M TAPING	HC10102090
RK29			CHIP,47kΩ ±5% 1/16W	NN05473610	QK06			IC,NJM2068M TAPING	HC10102090
RK30			CHIP,47kΩ ±5% 1/16W	NN05473610	QK07			DIG.TR.S.DTA114EU	BA10026210
RK31			CHIP,4.7kΩ ±5% 1/16W	NN05472610	QK08			IC,NJM2115M	HC10172090
RK32			CHIP,47kΩ ±5% 1/16W	NN05473610	QK51			IC,ADC AK5383VS 96kHz 24BIT	HC10033480
RK33			CHIP,10kΩ ±5% 1/16W	NN05103610	QK70			DIG.TR.S.DTA114EU	BA10026210
RK34			CHIP,5.6kΩ ±5% 1/16W	NN05562610	QK71			TRS.2SC2120 O	HT321201A0
RK35			CHIP,10kΩ ±5% 1/16W	NN05103610	QK72			DIG.TR.S.DTA114EU	BA10026210
RK36			CHIP,5.6kΩ ±5% 1/16W	NN05562610	QK73			TRS.2SC2120 O	HT321201A0
RK37			CHIP,10kΩ ±5% 1/16W	NN05103610					
RK39			CHIP,680kΩ ±5% 1/16W	NN05684610				PD04- MISCELLANEOUS	
RK40			CHIP,680kΩ ±5% 1/16W	NN05684610	JA01			TERMINAL,14X14 RA 1L3P BLK	YT02030610
RK41			CHIP,680kΩ ±5% 1/16W	NN05684610				AU F-SHIELD	
RK42			CHIP,47kΩ ±5% 1/16W	NN05473610	JA02			TERMINAL,CINCH 2P AU(BL)	YT02021540
RK43			CHIP,680kΩ ±5% 1/16W	NN05684610				FRONT SHIELDED	
RK44			CHIP,4.7kΩ ±5% 1/16W	NN05472610	JA03				
RK46			CHIP,10kΩ ±5% 1/16W	NN05103610	}			OPT. CONNECTOR,JFJ400	YJ15000200
RK47			CHIP,10kΩ ±5% 1/16W	NN05103610	JA06				
RK48			CHIP,10kΩ ±5% 1/16W	NN05103610	LD01				
RK49			CHIP,3.3kΩ ±5% 1/16W	NN05332610	}			EMI FILTER,DSS306-91-F-223Z	FM12223010
RK50			CHIP,3.3kΩ ±5% 1/16W	NN05332610	LD04				
RK51			CHIP,10kΩ ±5% 1/16W	NN05103610	LK70			RELAY,MR82-24USR	LY20240480
RK58			CHIP,470Ω ±5% 1/16W	NN05471610	LK71			RELAY,MR82-24USR	LY20240480
RK70									
}			CHIP,10kΩ ±5% 1/16W	NN05103610				PF14- COMPONENT	
RK73								CIRCUIT BOARD	
RK74			680Ω ±5% 1/6W	GG05681160				PF14- CAPACITORS	
RK75			680Ω ±5% 1/6W	GG05681160	CF61			CER.0.01µF Z 50V	DK18103310
RK76			CHIP,10kΩ ±5% 1/16W	NN05103610	CF62			ELECT.10µF ±20% 50V RA-2	OA10605020
RK77			CHIP,10kΩ ±5% 1/16W	NN05103610	CF63			ELECT.470µF ±20% 6.3V RA-2	OA47700620
			PD04- SEMICONDUCTORS					PF14- RESISTORS	
DA01			CHIP DIODE,1SS302	HZ20018050	RF53			1Ω ±5% 1/6W	GG05010160
}					RF59			1Ω ±5% 1/6W	GG05010160
DA05					RF76			1Ω ±5% 1/6W	GG05010160
DK01			CHIP DIODE,1SS302	HZ20018050	RF77			75Ω ±5% 1/6W	GD05750160
}								PF14- RESISTORS(COMMON)	
DK05			CHIP DIODE,1SS302	HZ20018050	RF***			CARBON FILM FIXED RES.	
DK70			CHIP DIODE,1SS302	HZ20018050				±5% 1/6W : RF51-RF52	
DK71			IC,CMOS 74HCU04 FLAT	HC700400Z0				RF57-RF58 RF74-RF75	
QA01			TAPING					PF14- SEMICONDUCTORS	
QA02			IC,CMOS 74HCU04 FLAT	HC700400Z0	DF51			DIODE,1SS176,MA165,1SS254	HD20002000
			TAPING					30V 0.1A	
QA03			IC,TC74HC151AF	HC715100Z0	DF53			DIODE,1SS176,MA165,1SS254	HD20002000
QA04			IC,TC74HC151AF	HC715100Z0				30V 0.1A	
QA05			IC,OR-GATE 74HC32	HC703200Z0	DF54			DIODE,1SS176,MA165,1SS254	HD20002000
QA06			IC,CMOS 74HC00 FLAT	HC700000Z0				30V 0.1A	
			TAPING		QF51			TRS.2SC2458 Y OR GR	HT324582B0
QA07			IC,PCF8574(I/O EXPANDER)	HC10068490	QF53			TRS.2SC2458 Y OR GR	HT324582B0
QD01					QF54			TRS.2SC2458 Y OR GR	HT324582B0
}			IC,24BIT 192KHZ DAC	HC10011880					
			DR=120DB					PF14- MISCELLANEOUS	
QD04					JF51			TERMINAL,YKC21-4076 1L3	YT02030700
QH01								FS AU	
}			IC,NJM2068M TAPING	HC10102090	JF52			TERMINAL,3P CINCH JACK	YT02030540
QH05								1L3 R/G/B GOLD	
QJ01					JF53			TERMINAL,3P CINCH JACK	YT02030540
}			IC,NJM2068M TAPING	HC10102090				1L3 R/G/B GOLD	
QJ04					LF51			RELAY,MR82-24USR	LY20240480
QK01			CHIP TR. (2SC),2SC4213	HX342132A0	LF52			RELAY,MR82-24USR	LY20240480
QK02			CHIP TR. (2SC),2SC4213	HX342132A0	LF53			RELAY,MR82-24USR	LY20240480

NOTE : *nsp* PART IS LISTED FOR REFERENCE ONLY, MARANTZ WILL NOT SUPPLY THESE PARTS.

PS9200

POS. NO	VERS. COLOR	PART NO. (FOR PCS)	DESCRIPTION	PART NO. (MUJ)	POS. NO	VERS. COLOR	PART NO. (FOR PCS)	DESCRIPTION	PART NO. (MUJ)
LF56			RELAY,MR82-24USR	LY20240480	CE59			ELECT.22µF ±20% 50V RA-2	OA22605020
LF57			RELAY,MR82-24USR	LY20240480	CE60			ELECT.22µF ±20% 50V RA-2	OA22605020
LF58			RELAY,MR82-24USR	LY20240480	CE61			ELECT.22µF ±20% 25V ARS	OA22602540
LF59			RELAY,MR82-24USR	LY20240480	CE62			ELECT.22µF ±20% 50V RA-2	OA22605020
			PF24- D-TERMINAL CIRCUIT BOARD		CE63			ELECT.10µF ±20% 50V RA-2	OA10605020
			PF24- CAPACITORS		CE64			ELECT.47µF ±20% 25V RA-2	OA47602520
CF87			CER.0.01µF Z 50V	DK18103310	CE65			FILM,100pF ±5% 100V APSV	OF15101540
CF88			ELECT.10µF ±20% 50V RA-2	OA10605020	CE66			CER.50V DC 0.1µF +80-20%	DD38104010
CF91			CER.0.01µF Z 50V	DK18103310	CE67			CER.50V DC 0.1µF +80-20%	DD38104010
CF92			ELECT.10µF ±20% 50V RA-2	OA10605020	CE68			ELECT.47µF ±20% 25V RA-2	OA47602520
			PF24- SEMICONDUCTORS		CE69			ELECT.47µF ±20% 25V RA-2	OA47602520
QF91			IC,C-MOS 74HC4053	HC705300B0	CE70			FILM,APSV 471J, 470pF(TP) 100V PP	OF15471540
			PF24- MISCELLANEOUS		CE71			ELECT.47µF ±20% 25V RA-2	OA47602520
JF91			JACK,YKF45-300T D CONNECTOR ANGLE	YJ11000660	CE91			CER.50V DC 0.1µF +80-20%	DD38104010
JF92			JACK,YKF45-300T D CONNECTOR ANGLE	YJ11000660	CE92			ELECT.47µF ±20% 25V RA-2	OA47602520
JF93			JACK,YKF45-300T D CONNECTOR ANGLE	YJ11000660	CE93			CER.50V DC 0.1µF +80-20%	DD38104010
			PG04- ELE.VOLUME CIRCUIT BOARD		CE94			ELECT.22µF ±20% 50V RA-2	OA22605020
			PG04- CAPACITORS		CG01			ELECT.22µF ±20% 50V RA-2	OA22605020
CE01			ELECT.22µF ±20% 50V RA-2	OA22605020	CG02			ELECT.10µF ±20% 50V RA-2	OA10605020
CE02			ELECT.22µF ±20% 50V RA-2	OA22605020	CG03			ELECT.10µF ±20% 50V RA-2	OA10605020
CE03			ELECT.10µF ±20% 50V RA-2	OA10605020	CG04			FILM,100pF ±5% 100V APSV	OF15101540
CE04			ELECT.10µF ±20% 50V RA-2	OA10605020	CG05			CER.50V DC 0.1µF +80-20%	DD38104010
CE05			FILM,100pF ±5% 100V APSV	OF15101540	CG06			CER.50V DC 0.1µF +80-20%	DD38104010
CE06			FILM,100pF ±5% 100V APSV	OF15101540	CG07			CER.50V DC 0.1µF +80-20%	DD38104010
CE07			CER.50V DC 0.1µF +80-20%	DD38104010	CG08			ELECT.22µF ±20% 50V RA-2	OA22605020
CE08			CER.50V DC 0.1µF +80-20%	DD38104010	CG09			ELECT.22µF ±20% 50V RA-2	OA22605020
CE09			ELECT.22µF ±20% 50V RA-2	OA22605020	CG10			ELECT.22µF ±20% 25V ARS	OA22602540
CE10			ELECT.22µF ±20% 50V RA-2	OA22605020	CG11			ELECT.22µF ±20% 25V ARS	OA22602540
CE11			ELECT.22µF ±20% 25V ARS	OA22602540	CG12			ELECT.10µF ±20% 50V RA-2	OA10605020
CE12			ELECT.22µF ±20% 25V ARS	OA22602540	CG13			ELECT.10µF ±20% 50V RA-2	OA10605020
CE13			ELECT.10µF ±20% 50V RA-2	OA10605020	CG14			FILM,100pF ±5% 100V APSV	OF15101540
CE14			ELECT.10µF ±20% 50V RA-2	OA10605020	CG15			FILM,100pF ±5% 100V APSV	OF15101540
CE15			FILM,100pF ±5% 100V APSV	OF15101540	CG16			CER.50V DC 0.1µF +80-20%	DD38104010
CE16			FILM,100pF ±5% 100V APSV	OF15101540	CG17			CER.50V DC 0.1µF +80-20%	DD38104010
CE17			CER.50V DC 0.1µF +80-20%	DD38104010	CG18			CER.50V DC 0.1µF +80-20%	DD38104010
CE18			CER.50V DC 0.1µF +80-20%	DD38104010	CG19			ELECT.47µF ±20% 25V RA-2	OA47602520
CE19			ELECT.47µF ±20% 25V RA-2	OA47602520	CG20			ELECT.47µF ±20% 25V RA-2	OA47602520
CE20			ELECT.47µF ±20% 25V RA-2	OA47602520	CG21			FILM,APSV 471J, 470pF(TP) 100V PP	OF15471540
CE21			FILM,APSV 471J, 470pF(TP) 100V PP	OF15471540	CG22			FILM,APSV 471J, 470pF(TP) 100V PP	OF15471540
CE22			FILM,APSV 471J, 470pF(TP) 100V PP	OF15471540	CG41			ELECT.47µF ±20% 25V RA-2	OA47602520
CE41			ELECT.47µF ±20% 25V RA-2	OA47602520	CG42			CER.50V DC 0.1µF +80-20%	DD38104010
CE42			CER.50V DC 0.1µF +80-20%	DD38104010	CG43			ELECT.47µF ±20% 25V RA-2	OA47602520
CE43			ELECT.47µF ±20% 25V RA-2	OA47602520	CG44			CER.50V DC 0.1µF +80-20%	DD38104010
CE44			CER.50V DC 0.1µF +80-20%	DD38104010	CG51			ELECT.22µF ±20% 50V RA-2	OA22605020
CE49			ELECT.100µF ±20% 16V RA-2	OA10701620	CG52			ELECT.22µF ±20% 50V RA-2	OA22605020
CE50			ELECT.100µF ±20% 16V RA-2	OA10701620	CG53			ELECT.10µF ±20% 50V RA-2	OA10605020
CE51			ELECT.22µF ±20% 50V RA-2	OA22605020	CG54			ELECT.10µF ±20% 50V RA-2	OA10605020
CE52			ELECT.22µF ±20% 50V RA-2	OA22605020	CG55			FILM,100pF ±5% 100V APSV	OF15101540
CE53			ELECT.10µF ±20% 50V RA-2	OA10605020	CG56			FILM,100pF ±5% 100V APSV	OF15101540
CE54			ELECT.10µF ±20% 50V RA-2	OA10605020	CG57			CER.50V DC 0.1µF +80-20%	DD38104010
CE55			FILM,100pF ±5% 100V APSV	OF15101540	CG58			CER.50V DC 0.1µF +80-20%	DD38104010
CE57			CER.50V DC 0.1µF +80-20%	DD38104010	CG59			ELECT.22µF ±20% 50V RA-2	OA22605020
CE58			CER.50V DC 0.1µF +80-20%	DD38104010	CG60			ELECT.22µF ±20% 50V RA-2	OA22605020
					CG61			ELECT.22µF ±20% 25V ARS	OA22602540
					CG62			ELECT.22µF ±20% 25V ARS	OA22602540
					CG63			ELECT.10µF ±20% 50V RA-2	OA10605020
					CG64			ELECT.10µF ±20% 50V RA-2	OA10605020
					CG65			FILM,100pF ±5% 100V APSV	OF15101540
					CG66			FILM,100pF ±5% 100V APSV	OF15101540
					CG67			CER.50V DC 0.1µF +80-20%	DD38104010
					CG68			CER.50V DC 0.1µF +80-20%	DD38104010
					CG69			ELECT.47µF ±20% 25V RA-2	OA47602520

NOTE : *nsp* PART IS LISTED FOR REFERENCE ONLY, MARANTZ WILL NOT SUPPLY THESE PARTS.

PS9200

POS. NO	VERS. COLOR	PART NO. (FOR PCS)	DESCRIPTION	PART NO. (MJJ)	POS. NO	VERS. COLOR	PART NO. (FOR PCS)	DESCRIPTION	PART NO. (MJJ)
CG70			ELECT.47μF ±20% 25V RA-2	OA47602520	RE19				
CG71			FILM,APSV 471J, 470pF(TP) 100V PP	OF15471540	}			CHIP,220Ω ±5% 1/10W	NI05221110
CG72			FILM,APSV 471J, 470pF(TP) 100V PP	OF15471540	RE22				
CG91			ELECT.47μF ±20% 25V RA-2	OA47602520	RE23			CHIP,4.7kΩ ±5% 1/10W	NI05472110
CG92			CER.50V DC 0.1μF +80-20%	DD38104010	}				
CG93			ELECT.47μF ±20% 25V RA-2	OA47602520	RE26			CHIP,33Ω ±5% 1/10W	NI05330110
CG94			CER.50V DC 0.1μF +80-20%	DD38104010	RE27			CHIP,33Ω ±5% 1/10W	NI05330110
CM01			ELECT.22μF ±20% 50V RA-2	OA22605020	RE28			CHIP,100Ω ±5% 1/10W	NI05101110
CM02			ELECT.22μF ±20% 50V RA-2	OA22605020	RE40			CHIP,100Ω ±5% 1/10W	NI05101110
CM03			ELECT.10μF ±20% 50V RA-2	OA10605020	RE41			CHIP,1MΩ ±5% 1/10W	NI05105110
CM04			ELECT.10μF ±20% 50V RA-2	OA10605020	RE43			CHIP,100Ω ±5% 1/10W	NI05101110
CM07			CER.50V DC 0.1μF +80-20%	DD38104010	RE44			CHIP,10kΩ ±5% 1/10W	NI05103110
CM08			CER.50V DC 0.1μF +80-20%	DD38104010	RE45			CHIP,10kΩ ±5% 1/10W	NI05103110
CM09					RE47			CHIP,10kΩ ±5% 1/10W	NI05103110
}			ELECT.22μF ±20% 50V RA-2	OA22605020	RE48			CHIP,10kΩ ±5% 1/10W	NI05103110
CM12					RE49			150Ω ±5% 1/2W	GG05151120
CM13			ELECT.10μF ±20% 50V RA-2	OA10605020	RE51			CHIP,47kΩ ±5% 1/10W	NI05473110
CM14			ELECT.10μF ±20% 50V RA-2	OA10605020	RE52			CHIP,47kΩ ±5% 1/10W	NI05473110
CM17			CER.50V DC 0.1μF +80-20%	DD38104010	RE53			CHIP,10kΩ ±5% 1/10W	NI05103110
CM18			CER.50V DC 0.1μF +80-20%	DD38104010	RE54			CHIP,27kΩ ±5% 1/10W	NI05273110
CM19			ELECT.47μF ±20% 25V RA-2	OA47602520	RE55			CHIP,10kΩ ±5% 1/10W	NI05103110
CM20			ELECT.47μF ±20% 25V RA-2	OA47602520	RE56			CHIP,10kΩ ±5% 1/10W	NI05103110
CM31			ELECT.22μF ±20% 50V RA-2	OA22605020	RE57			CHIP,47kΩ ±5% 1/10W	NI05473110
CM32			ELECT.22μF ±20% 50V RA-2	OA22605020	}				
CM33			ELECT.10μF ±20% 50V RA-2	OA10605020	RE60			CHIP,5.6kΩ ±5% 1/10W	NI05562110
CM34			ELECT.10μF ±20% 50V RA-2	OA10605020	RE61			CHIP,1.5kΩ ±5% 1/10W	NI05152110
CM37			CER.50V DC 0.1μF +80-20%	DD38104010	RE62			CHIP,4.7kΩ ±5% 1/10W	NI05472110
CM38			CER.50V DC 0.1μF +80-20%	DD38104010	RE63			CHIP,1.8kΩ ±5% 1/10W	NI05182110
CM39			ELECT.47μF ±20% 25V RA-2	OA47602520	RE64			CHIP,8.2kΩ ±5% 1/10W	NI05822110
CM40			ELECT.47μF ±20% 25V RA-2	OA47602520	RE65			CHIP,8.2kΩ ±5% 1/10W	NI05822110
CM61			ELECT.47μF ±20% 25V RA-2	OA47602520	RE66			CHIP,47kΩ ±5% 1/10W	NI05473110
CM62			CER.50V DC 0.1μF +80-20%	DD38104010	RE67			CHIP,47kΩ ±5% 1/10W	NI05473110
CM63			ELECT.47μF ±20% 25V RA-2	OA47602520	RE68			CHIP,47kΩ ±5% 1/10W	NI05473110
CM64			CER.50V DC 0.1μF +80-20%	DD38104010	RE69			CHIP,220Ω ±5% 1/10W	NI05221110
			PG04-CAPACITORS(COMMON)		}			CHIP,220Ω ±5% 1/10W	NI05221110
C***			HIGH DIELECTRIC CONSTANT		RE72			CHIP,4.7kΩ ±5% 1/10W	NI05472110
			CER. CAPACITOR ±10% 50V :		RE73				
			CE40 CE45-CE48 CE56 CE66		}				
			CE72 CE90 CG40 CG90 CM05		RE76			CHIP,33Ω ±5% 1/10W	NI05330110
			CM06 CM15 CM16 CM21 CM22		RE77			CHIP,33Ω ±5% 1/10W	NI05330110
			CM35 CM36 CM41 CM42 CM60		RE78			CHIP,100Ω ±5% 1/10W	NI05101110
			PG04- RESISTORS		RE90			CHIP,1MΩ ±5% 1/10W	NI05105110
RE01			CHIP,47kΩ ±5% 1/10W	NI05473110	RE91			CHIP,1MΩ ±5% 1/10W	NI05105110
RE02			CHIP,47kΩ ±5% 1/10W	NI05473110	RE92			CHIP,47kΩ ±5% 1/10W	NI05473110
RE03					RG01			CHIP,47kΩ ±5% 1/10W	NI05473110
}			CHIP,10kΩ ±5% 1/10W	NI05103110	RG02			CHIP,47kΩ ±5% 1/10W	NI05473110
RE06					RG03			CHIP,10kΩ ±5% 1/10W	NI05103110
RE07					}				
}			CHIP,47kΩ ±5% 1/10W	NI05473110	RG06			CHIP,47kΩ ±5% 1/10W	NI05473110
RE10					RG07				
RE11			CHIP,5.6kΩ ±5% 1/10W	NI05562110	}				
RE12			CHIP,5.6kΩ ±5% 1/10W	NI05562110	RG10			CHIP,5.6kΩ ±5% 1/10W	NI05562110
RE13			CHIP,4.7kΩ ±5% 1/10W	NI05472110	RG11			CHIP,5.6kΩ ±5% 1/10W	NI05562110
RE14			CHIP,4.7kΩ ±5% 1/10W	NI05472110	RG12			CHIP,4.7kΩ ±5% 1/10W	NI05472110
RE15			CHIP,8.2kΩ ±5% 1/10W	NI05822110	RG13			CHIP,4.7kΩ ±5% 1/10W	NI05472110
RE16			CHIP,8.2kΩ ±5% 1/10W	NI05822110	RG14			CHIP,8.2kΩ ±5% 1/10W	NI05822110
RE17			CHIP,47kΩ ±5% 1/10W	NI05473110	RG15			CHIP,8.2kΩ ±5% 1/10W	NI05822110
RE18			CHIP,47kΩ ±5% 1/10W	NI05473110	RG16			CHIP,47kΩ ±5% 1/10W	NI05473110
					RG17			CHIP,47kΩ ±5% 1/10W	NI05473110
					RG18			CHIP,47kΩ ±5% 1/10W	NI05473110
					RG19			CHIP,220Ω ±5% 1/10W	NI05221110
					}				
					RG22			CHIP,220Ω ±5% 1/10W	NI05221110

NOTE : *nsp* PART IS LISTED FOR REFERENCE ONLY, MARANTZ WILL NOT SUPPLY THESE PARTS.

PS9200

POS. NO	VERS. COLOR	PART NO. (FOR PCS)	DESCRIPTION	PART NO. (MJJ)	POS. NO	VERS. COLOR	PART NO. (FOR PCS)	DESCRIPTION	PART NO. (MJJ)
RG23					RM39			CHIP,330Ω ±5% 1/10W	NI05331110
}					RM40			CHIP,330Ω ±5% 1/10W	NI05331110
RG26			CHIP,4.7kΩ ±5% 1/10W	NI05472110	RM41			CHIP,4.7kΩ ±5% 1/10W	NI05472110
RG27			CHIP,33Ω ±5% 1/10W	NI05330110	RM42			CHIP,4.7kΩ ±5% 1/10W	NI05472110
RG28			CHIP,33Ω ±5% 1/10W	NI05330110	RM43			CHIP,150Ω ±5% 1/10W	NI05151110
RG40			CHIP,100Ω ±5% 1/10W	NI05101110	RM44			CHIP,150Ω ±5% 1/10W	NI05151110
RG41			CHIP,1MΩ ±5% 1/10W	NI05105110	RM60			CHIP,100Ω ±5% 1/10W	NI05101110
RG51			CHIP,47kΩ ±5% 1/10W	NI05473110	RM61			CHIP,1MΩ ±5% 1/10W	NI05105110
RG52			CHIP,47kΩ ±5% 1/10W	NI05473110	RM62			CHIP,10kΩ ±5% 1/10W	NI05103110
RG53					RM64			CHIP,10kΩ ±5% 1/10W	NI05103110
}					RM65			CHIP,10kΩ ±5% 1/10W	NI05103110
RG56			CHIP,10kΩ ±5% 1/10W	NI05103110	RM66			680Ω ±5% 1/6W	GG05681160
RG57									
}									
RG60			CHIP,47kΩ ±5% 1/10W	NI05473110					
RG61			CHIP,5.6kΩ ±5% 1/10W	NI05562110	DE40			PG04- SEMICONDUCTORS	
RG62			CHIP,5.6kΩ ±5% 1/10W	NI05562110	DM60			CHIP DIODE,DAN202K	HZ20002210
RG63			CHIP,4.7kΩ ±5% 1/10W	NI05472110	QE01			CHIP DIODE,DAN202K	HZ20002210
RG64			CHIP,4.7kΩ ±5% 1/10W	NI05472110	QE02			IC,NJM-2068-DD	HC10053090
RG65			CHIP,8.2kΩ ±5% 1/10W	NI05822110	QE03			IC,TC9459N ELE.VOLUME	HC10443050
RG66			CHIP,8.2kΩ ±5% 1/10W	NI05822110	QE05			IC,NJM-2068-DD	HC10053090
RG67			CHIP,47kΩ ±5% 1/10W	NI05473110	}			TRS.2SC2878 A OR BRANK	HT328782A0
RG68			CHIP,47kΩ ±5% 1/10W	NI05473110	QE08				
RG69					QE40			DIG.TRS.DTC114ES/UN4211	BA20001000
}								10K,10K	
RG72			CHIP,220Ω ±5% 1/10W	NI05221110	QE41			TRS.2SA817 O OR Y	HT108172B0
RG73								600MW -300MA	
}					QE51			IC,NJM-2068-DD	HC10053090
RG76			CHIP,4.7kΩ ±5% 1/10W	NI05472110	QE52			IC,TC9459N ELE.VOLUME	HC10443050
RG77			CHIP,33Ω ±5% 1/10W	NI05330110	QE53			IC,NJM-2068-DD	HC10053090
RG78			CHIP,33Ω ±5% 1/10W	NI05330110	QE55				
RG90			CHIP,100Ω ±5% 1/10W	NI05101110	}			TRS.2SC2878 A OR BRANK	HT328782A0
RG91			CHIP,1MΩ ±5% 1/10W	NI05105110	QE58				
RM01			CHIP,47kΩ ±5% 1/10W	NI05473110	QG01			IC,NJM-2068-DD	HC10053090
RM02			CHIP,47kΩ ±5% 1/10W	NI05473110	QG02			IC,TC9459N ELE.VOLUME	HC10443050
RM03					QG03			IC,NJM-2068-DD	HC10053090
}					QG05				
RM06			CHIP,10kΩ ±5% 1/10W	NI05103110	}			TRS.2SC2878 A OR BRANK	HT328782A0
RM07					QG08				
}					QG51			IC,NJM-2068-DD	HC10053090
RM10			CHIP,47kΩ ±5% 1/10W	NI05473110	QG52			IC,TC9459N ELE.VOLUME	HC10443050
RM11			CHIP,3.9kΩ ±5% 1/10W	NI05392110	QG53			IC,NJM-2068-DD	HC10053090
RM12			CHIP,3.9kΩ ±5% 1/10W	NI05392110	QG55				
RM13			CHIP,12kΩ ±5% 1/10W	NI05123110	}			TRS.2SC2878 A OR BRANK	HT328782A0
RM14			CHIP,12kΩ ±5% 1/10W	NI05123110	QG58				
RM15			CHIP,47kΩ ±5% 1/10W	NI05473110	QM01			IC,NJM-2068-DD	HC10053090
RM16			CHIP,47kΩ ±5% 1/10W	NI05473110	QM02			IC,TC9459N ELE.VOLUME	HC10443050
RM17					QM03			IC,NJM-2068-DD	HC10053090
}					QM05				
RM20			CHIP,220Ω ±5% 1/10W	NI05221110	}			TRS.2SC2878 A OR BRANK	HT328782A0
RM21					QM08				
}					QM30			IC,NJM-2068-DD	HC10053090
RM24			CHIP,4.7kΩ ±5% 1/10W	NI05472110	QM31			TRS.2SC2878 A OR BRANK	HT328782A0
RM25			CHIP,33Ω ±5% 1/10W	NI05330110	QM32			TRS.2SC2878 A OR BRANK	HT328782A0
RM26			CHIP,33Ω ±5% 1/10W	NI05330110	QM60			DIG.TRS.DTC114ES/UN4211	BA20001000
RM31			CHIP,47kΩ ±5% 1/10W	NI05473110				10K,10K	
RM32			CHIP,47kΩ ±5% 1/10W	NI05473110	QM61			TRS.2SA970 (GR) OR (BL)	HT109702A0
RM33			CHIP,3.9kΩ ±5% 1/10W	NI05392110					
RM34			CHIP,3.9kΩ ±5% 1/10W	NI05392110				PG04- MISCELLANEOUS	
RM35			CHIP,12kΩ ±5% 1/10W	NI05123110	JE01			TERMINAL,14X14 RA 2L6P BLK	YT02060690
RM36			CHIP,12kΩ ±5% 1/10W	NI05123110	JE02			TERMINAL,YKC21-3914 1L1P	YT02011710
RM37			CHIP,47kΩ ±5% 1/10W	NI05473110	JE03			FS BK AU	
RM38			CHIP,47kΩ ±5% 1/10W	NI05473110				TERMINAL,YKC21-4086 2L4P	YT02041340
								FS BK AU	

NOTE : *nsp* PART IS LISTED FOR REFERENCE ONLY, MARANTZ WILL NOT SUPPLY THESE PARTS.

PS9200

POS. NO	VERS. COLOR	PART NO. (FOR PCS)	DESCRIPTION	PART NO. (MJJ)	POS. NO	VERS. COLOR	PART NO. (FOR PCS)	DESCRIPTION	PART NO. (MJJ)
JE04			TERMINAL,14X14 RA 2L6P BLK AU F-SHIELD	YT02060690	CL38			ELECT.10µF ±20% 50V RA-2	OA10605020
JE10			RETAINER,GND TERMINAL	320J104010	CL39			CER.24pF ±5% CH 50V BLK	DD15240300
LE01			RELAY,MR82-24USR	LY20240480	CL40			CER.22pF ±5% CH 50V BLK	DD15220300
LE51			RELAY,MR82-24USR	LY20240480	CL42			CER.50V DC 0.1µF +80-20%	DD38104010
LG01			RELAY,MR82-24USR	LY20240480	CL44			ELECT.1µF ±20% 50V RA-2	OA10505020
LG51			RELAY,MR82-24USR	LY20240480	CL45			ELECT.1µF ±20% 50V RA-2	OA10505020
LM01			RELAY,MR82-24USR	LY20240480	CL46			CER.50V DC 0.1µF +80-20%	DD38104010
LM60			RELAY,MR82-24USR	LY20240480	CL47			ELECT.10µF ±20% 50V RA-2	OA10605020
			PL04- CVBS		CL48			CER.22pF ±5% CH 50V BLK	DD15220300
			CIRCUIT BOARD		CL49			CER.22pF ±5% CH 50V BLK	DD15220300
			PL04- CAPACITORS		CL50			CER.47pF ±5% CH 50V BLK	DD15470300
CF01			ELECT.10µF ±20% 50V RA-2	OA10605020	CL51			ELECT.10µF ±20% 50V RA-2	OA10605020
CF02			ELECT.10µF ±20% 50V RA-2	OA10605020	CL52			ELECT.10µF ±20% 50V RA-2	OA10605020
CF03			ELECT.10µF ±20% 50V RA-2	OA10605020	CL53			ELECT.100µF ±20% 10V RA-2	OA10701020
CF04			CER.50V DC 0.1µF +80-20%	DD38104010	CL54			CER.50V DC 0.1µF +80-20%	DD38104010
CF05			ELECT.10µF ±20% 50V RA-2	OA10605020	CL55			ELECT.1µF ±20% 50V RA-2	OA10505020
CF06			ELECT.10µF ±20% 50V RA-2	OA10605020	CL57			CER.50V DC 0.1µF +80-20%	DD38104010
CF07			ELECT.100µF ±20% 10V RA-2	OA10701020	CL58			ELECT.100µF ±20% 16V RA-2	OA10701620
CF08			CER.50V DC 0.1µF +80-20%	DD38104010	CL59			CER.47pF ±5% CH 50V BLK	DD15470300
CF09			ELECT.10µF ±20% 50V RA-2	OA10605020	CL60			ELECT.100µF ±20% 10V RA-2	OA10701020
CF13			ELECT.10µF ±20% 50V RA-2	OA10605020	CL63			CER.50V DC 0.1µF +80-20%	DD38104010
CF14			CER.47pF ±5% CH 50V BLK	DD15470300	CL64			CER.0.01µF DC50V +80%-20%	DD38103010
CF15			CER.47pF ±5% CH 50V BLK	DD15470300	CL65			ELECT.10µF ±20% 50V RA-2	OA10605020
CF16			ELECT.100µF ±20% 10V RA-2	OA10701020	CL66			CER.0.01µF DC50V +80%-20%	DD38103010
CF17			CER.50V DC 0.1µF +80-20%	DD38104010	CL67			CER.0.01µF DC50V +80%-20%	DD38103010
CF19			CER.47pF ±5% CH 50V BLK	DD15470300	CL68			ELECT.10µF ±20% 50V RA-2	OA10605020
CF20			ELECT.10µF ±20% 50V RA-2	OA10605020	CL69			CER.0.01µF DC50V +80%-20%	DD38103010
CF21			ELECT.10µF ±20% 50V RA-2	OA10605020	CL70			CER.0.01µF DC50V +80%-20%	DD38103010
CF22			CER.50V DC 0.1µF +80-20%	DD38104010	CL71			ELECT.10µF ±20% 50V RA-2	OA10605020
CF23			ELECT.100µF ±20% 16V RA-2	OA10701620	CL72			CER.0.01µF DC50V +80%-20%	DD38103010
CF24			ELECT.1µF ±20% 50V RA-2	OA10505020	CL73			CER.0.022µF Z 50V	DK18223310
CF26			CER.50V DC 0.1µF +80-20%	DD38104010	CL78			CER.50V DC 0.1µF +80-20%	DD38104010
CF27			CER.47pF ±5% CH 50V BLK	DD15470300	CL79			ELECT.10µF ±20% 50V RA-2	OA10605020
CF28			ELECT.470µF ±20% 6.3V RA-2	OA47700620	CL80			ELECT.10µF ±20% 50V RA-2	OA10605020
CF31			CER.50V DC 0.1µF +80-20%	DD38104010	CL81			ELECT.10µF ±20% 50V RA-2	OA10605020
CF33			CER.50V DC 0.1µF +80-20%	DD38104010	CL82			CER.47pF ±5% CH 50V BLK	DD15470300
CL01			ELECT.470µF ±20% 6.3V RA-2	OA47700620	CL85			CER.47pF ±5% CH 50V BLK	DD15470300
CL02			ELECT.470µF ±20% 6.3V RA-2	OA47700620	CL87			ELECT.100µF ±20% 10V RA-2	OA10701020
CL09			ELECT.47pF ±5% CH 50V BLK	DD15470300				PL04-CAPACITORS(COMMON)	
CL12			ELECT.10µF ±20% 50V RA-2	OA10605020				HIGH DIELECTRIC CONSTANT	
CL13			ELECT.10µF ±20% 50V RA-2	OA10605020				CER. CAPACITOR ±10% 50V :	
CL14			CER.50V DC 0.1µF +80-20%	DD38104010				CF25 CL43 CL62 CL83 CL86	
CL15			ELECT.10µF ±20% 50V RA-2	OA10605020				PL04- RESISTORS	
CL16			ELECT.10µF ±20% 50V RA-2	OA10605020	RF01			CHIP,75Ω ±5% 1/10W	NI05750110
CL20			ELECT.470µF ±20% 6.3V RA-2	OA47700620	RF02			CHIP,1kΩ ±5% 1/10W	NI05102110
CL21			ELECT.10µF ±20% 50V RA-2	OA10605020	RF03			CHIP,75Ω ±5% 1/10W	NI05102110
CL22			ELECT.470µF ±20% 6.3V RA-2	OA47700620	RF04			CHIP,10kΩ ±5% 1/10W	NI05103110
CL23			ELECT.100µF ±20% 10V RA-2	OA10701020	RF05			CHIP,75Ω ±5% 1/10W	NI05750110
CL24			CER.50V DC 0.1µF +80-20%	DD38104010	RF06			CHIP,1MΩ ±5% 1/10W	NI05105110
CL25			ELECT.100µF ±20% 10V RA-2	OA10701020	RF07			CHIP,1MΩ ±5% 1/10W	NI05105110
CL26			CER.50V DC 0.1µF +80-20%	DD38104010	RF08			CHIP,0Ω ±5% 1/10W	NI05000110
CL27			ELECT.10µF ±20% 50V RA-2	OA10605020	RF09			CHIP,1kΩ ±5% 1/10W	NI05102110
CL28			ELECT.10µF ±20% 50V RA-2	OA10605020	RF16			CHIP,75Ω ±5% 1/10W	NI05750110
CL29			ELECT.10µF ±20% 50V RA-2	OA10605020	RL01			CHIP,75Ω ±5% 1/10W	NI05750110
CL32			ELECT.10µF ±20% 50V RA-2	OA10605020	RL02			CHIP,75Ω ±5% 1/10W	NI05750110
CL34			ELECT.10µF ±20% 50V RA-2	OA10605020	RL03			CHIP,75Ω ±5% 1/10W	NI05750110
CL35			CER.50V DC 0.1µF +80-20%	DD38104010	RL04			CHIP,0Ω ±5% 1/10W	NI05000110
CL36			ELECT.10µF ±20% 50V RA-2	OA10605020	RL05			CHIP,75Ω ±5% 1/10W	NI05750110
CL37			ELECT.2.2µF ±20% 50V RA-2	OA22505020	RL06			CHIP,0Ω ±5% 1/10W	NI05000110
					RL07			CHIP,75Ω ±5% 1/10W	NI05750110
					RL08			CHIP,0Ω ±5% 1/10W	NI05000110

NOTE : *nsp* PART IS LISTED FOR REFERENCE ONLY, MARANTZ WILL NOT SUPPLY THESE PARTS.

PS9200

POS. NO	VERS. COLOR	PART NO. (FOR PCS)	DESCRIPTION	PART NO. (MUJ)	POS. NO	VERS. COLOR	PART NO. (FOR PCS)	DESCRIPTION	PART NO. (MUJ)
RL09			CHIP,75Ω ±5% 1/10W	NI05750110	QL07			IC,74HC4094 16PIN DIP	HC709449B0
RL10			CHIP,0Ω ±5% 1/10W	NI05000110	QL08			TRS.C2458,C1740S,C3199,ETC	HT30001000
RL11			CHIP,75Ω ±5% 1/10W	NI05750110	QL09			TRS.A1048,A933S,A1267,ETC.	HT10001000
RL12			CHIP,0Ω ±5% 1/10W	NI05000110	QL10			TRS.C2458,C1740S,C3199,ETC	HT30001000
RL13			CHIP,75Ω ±5% 1/10W	NI05750110	QL11			DIG.TRS.DTA114ES/UN4111	BA10001000
RL14			CHIP,0Ω ±5% 1/10W	NI05000110				10K,10K	
RL15			CHIP,75Ω ±5% 1/10W	NI05750110	QL12			TRS.C2458,C1740S,C3199,ETC	HT30001000
RL16			CHIP,75Ω ±5% 1/10W	NI05750110	QL13			DIG.TRS.DTC114ES/UN4211	BA20001000
RL18			CHIP,10kΩ ±5% 1/10W	NI05103110				10K,10K	
RL19			CHIP,10kΩ ±5% 1/10W	NI05103110	QL14			TRS.C2458,C1740S,C3199,ETC	HT30001000
RL20			CHIP,10kΩ ±5% 1/10W	NI05103110	QL15			TRS.C2458,C1740S,C3199,ETC	HT30001000
RL21			CHIP,1kΩ ±5% 1/10W	NI05102110	QL16			DIG.TRS.DTC114ES/UN4211	BA20001000
RL22			CHIP,1kΩ ±5% 1/10W	NI05102110				10K,10K	
RL23			CHIP,1kΩ ±5% 1/10W	NI05102110	QL17			DIG.TRS.DTA114ES/UN4111	BA10001000
RL24			CHIP,470Ω ±5% 1/10W	NI05471110				10K,10K	
RL25			CHIP,10kΩ ±5% 1/10W	NI05103110	QL21			IC,CMOS 74HC00 FLAT	HC700000Z0
RL26			CHIP,100kΩ ±5% 1/10W	NI05104110				TAPING	
RL27			CHIP,10kΩ ±5% 1/10W	NI05103110	QL22			CHIP TR. (2SC),2SC1622AD17	HX316221A0
RL28			CHIP,12kΩ ±5% 1/10W	NI05123110				PL04- MISCELLANEOUS	
RL29			CHIP,220Ω ±5% 1/10W	NI05221110	JL01			TERMINAL,YKC21-3913 1L1	YT02011690
RL30			CHIP,0Ω ±5% 1/10W	NI05000110				FS AU	
RL31			CHIP,1MΩ ±5% 1/10W	NI05105110	JL02			TERMINAL,YKC21-4074 2L2	YT02021710
RL32			CHIP,0Ω ±5% 1/10W	NI05000110				FS AU	
RL33			CHIP,220Ω ±5% 1/10W	NI05221110	JL03			TERMINAL,YKC21-3701 1L4	YT02041310
RL35			CHIP,10kΩ ±5% 1/10W	NI05103110				FG AU	
RL36			220Ω ±5% 1/2W	GG05221120	JL04			TERMINAL,YKC21-3701 1L4	YT02041310
RL37			CHIP,4.7kΩ ±5% 1/10W	NI05472110				FG AU	
RL38			CHIP,10kΩ ±5% 1/10W	NI05103110	LL01			EMI FILTER,DSS306-91-F-223Z	FM12223010
RL39			CHIP,1kΩ ±5% 1/10W	NI05102110	LL02			EMI FILTER,DSS306-91-F-223Z	FM12223010
RL40			CHIP,56Ω ±5% 1/10W	NI05560110	LL03			EMI FILTER,DSS306-91-F-223Z	FM12223010
RL41			CHIP,1kΩ ±5% 1/10W	NI05102110	LL04			CHIP INDUCTANCE,	LU15333010
RL42			CHIP,10kΩ ±5% 1/10W	NI05103110				NL252018 33UH	
RL43			CHIP,1kΩ ±5% 1/10W	NI05102110	XL01			CRYSTAL,	JX14001260
RL44			CHIP,100Ω ±5% 1/10W	NI05101110				AT49/14.31818MHZ(TP)	
RL45			CHIP,100Ω ±5% 1/10W	NI05101110				PN14- RN47	
RL57			CHIP,10kΩ ±5% 1/10W	NI05103110				CIRCUIT BOARD	
RL58								PN14- RESISTORS	
}			CHIP,0Ω ±5% 1/10W	NI05000110	RN47			VARISTOR,FOR HEAT SENS.	HP00029230
RL61								100C BD	
RL62			CHIP,75Ω ±5% 1/10W	NI05750110				PN24- RN62	
RL63			CHIP,1MΩ ±5% 1/10W	NI05105110				CIRCUIT BOARD	
RL64			CHIP,1MΩ ±5% 1/10W	NI05105110				PN24- RESISTORS	
RL68			CHIP,0Ω ±5% 1/10W	NI05000110	RN62			VARISTOR,FOR FAN SENS.	HP00042230
RL69			CHIP,75Ω ±5% 1/10W	NI05750110				80C BF	
RL70			CHIP,0Ω ±5% 1/10W	NI05000110				PN54- RN49	
RL72								CIRCUIT BOARD	
}			CHIP,1kΩ ±5% 1/10W	NI05102110				PN54- RESISTORS	
RL84								VARISTOR,FOR HEAT SENS.	HP00029230
RL85			CHIP,0Ω ±5% 1/10W	NI05000110	RN49			100C BD	
			PL04- SEMICONDUCTORS					PN64- RN86	
DL01			CHIP DIODE,DAN202K	HZ20002210				CIRCUIT BOARD	
QF01			IC,NJM2534M TAPING TE1	HC10223090				PN64- RESISTORS	
QF02			IC,NJM2296M TAPING	HC10210090	RN86			VARISTOR,FOR FAN SENS.	HP00042230
QF03			IC,NJM2535M TAPING TE1	HC10224090				80C BF	
QF04			IC,74HC4094 16PIN DIP	HC709449B0				PP04- AUX	
QL01			IC,NJM2534M TAPING TE1	HC10223090				CIRCUIT BOARD	
QL02			IC,NJM2296M TAPING	HC10210090				PP04- CAPACITORS	
QL03			IC,NJM2535M TAPING TE1	HC10224090	CP03			CER.50V DC 0.1μF +80-20%	DD38104010
QL04			IC,OSD LC74781	HC10377030	CP04			CER.50V DC 0.1μF +80-20%	DD38104010
QL05			IC,NJM2535M TAPING TE1	HC10224090					
QL06			IC,BA7622F TAPING-E2	HC10221210					

NOTE : *nsp* PART IS LISTED FOR REFERENCE ONLY, MARANTZ WILL NOT SUPPLY THESE PARTS.

PS9200

POS. NO	VERS. COLOR	PART NO. (FOR PCS)	DESCRIPTION	PART NO. (MJI)	POS. NO	VERS. COLOR	PART NO. (FOR PCS)	DESCRIPTION	PART NO. (MJI)
CP05			ELECT.10µF ±20% 50V RA-2	OA10605020	CQ50			ELECT.10µF ±20% 50V RA-2	OA10605020
CP08					CQ53				
CP09			CER.50V DC 0.1µF +80-20%	DD38104010	CQ54				
CP11					CQ58			CER.50V DC 0.1µF +80-20%	DD38104010
CP14			ELECT.10µF ±20% 50V RA-2	OA10605020	CQ64			ELECT.100µF ±20% 16V RA-2	OA10701620
CP16			CER.CER. 0.1µF Z 50V	DA17104110	CQ65			ELECT.100µF ±20% 16V RA-2	OA10701620
CP17			ELECT.100µF ±20% 10V RA-2	OA10701020					
CP18			CER.50V DC 0.1µF +80-20%	DD38104010					
C***			PP04-CAPACITORS(COMMON) HIGH DIELECTRIC CONSTANT CER. CAPACITOR ±10% 50V : CP01 CP02		C***			PQ04-CAPACITORS(COMMON) HIGH DIELECTRIC CONSTANT CER. CAPACITOR ±10% 50V : CQ37 CQ38 CQ41 CQ42 CQ56 CQ59 CQ60 CQ61 CQ62 CQ63	
RP11			PP04- RESISTORS 75Ω ±5% 1/6W	GD05750160	R***			PQ04- RESISTORS(COMMON) CARBON FILM FIXED RES. ±5% 1/6W : RQ01-RQ04 RQ09-RQ12 RQ17-RQ20 RQ25-RQ28 RQ33-RQ36 RQ41-RQ44 RQ49-RQ64	
RP12			75Ω ±5% 1/6W	GD05750160					
RP14			75Ω ±5% 1/6W	GD05750160					
R***			PP04- RESISTORS(COMMON) CARBON FILM FIXED RES. ±5% 1/6W : RP01-RP06 RP16		QQ01			PQ04- SEMICONDUCTORS IC,NJU7312L ANALOG SW.	HC10124090
QP01			PP04- SEMICONDUCTORS IC,NJM4558D-D	HC10008090	QQ02			IC,NJU7312L ANALOG SW.	HC10124090
JP01			PP04- MISCELLANEOUS OPT. CONNECTOR,JFJ400	YJ15000200	QQ03			IC,NJM4560D-D	HC10021090
JP02			TERMINAL,CINCH JACK 3P + S-TERMINAL	BY04040030					
CP93			PP94- H.P. CIRCUIT BOARD PP94- CAPACITORS CER.50V DC 0.1µF +80-20%	DD38104010	JQ01			PQ04- MISCELLANEOUS TERMINAL,14X14 RA 2L6 WH+RE AU F-GROUND	YT02060670
JP99			PP94- MISCELLANEOUS JACK,HLJ2307-01-3160	YJ01004240	JQ02			TERMINAL,14X14 RA 2L6 WH+RE AU F-GROUND	YT02060670
CQ01			PQ04- A-FUNCTION-V CIRCUIT BOARD PQ04- CAPACITORS FILM,100pF ±5% 100V APSV	OF15101540	JQ03			TERMINAL,14X14 RA 2L4 WH+RE AU F-FROUND	YT02041280
CQ02			FILM,100pF ±5% 100V APSV	OF15101540				PS04- AUDIO FUNCTION CIRCUIT BOARD PS04- CAPACITORS FILM,100pF ±10% 50V	OF15101540
CQ07			FILM,100pF ±5% 100V APSV	OF15101540	CS01			FILM,100pF ±10% 50V	OF15101540
CQ08			FILM,100pF ±5% 100V APSV	OF15101540	CS02			FILM,100pF ±10% 50V	OF15101540
CQ13			FILM,100pF ±5% 100V APSV	OF15101540	CS07			FILM,100pF ±5% 100V APSV	OF15101540
CQ14			FILM,100pF ±5% 100V APSV	OF15101540	CS08			FILM,100pF ±5% 100V APSV	OF15101540
CQ19			FILM,100pF ±5% 100V APSV	OF15101540	CS13			FILM,100pF ±5% 100V APSV	OF15101540
CQ20			FILM,100pF ±5% 100V APSV	OF15101540	CS14			FILM,100pF ±5% 100V APSV	OF15101540
CQ25			FILM,100pF ±5% 100V APSV	OF15101540	CS19			FILM,100pF ±5% 100V APSV	OF15101540
CQ26			FILM,100pF ±5% 100V APSV	OF15101540	CS20			FILM,100pF ±5% 100V APSV	OF15101540
CQ31			FILM,100pF ±5% 100V APSV	OF15101540	CS27			ELECT.10µF ±20% 50V RA-2	OA10605020
CQ32			FILM,100pF ±5% 100V APSV	OF15101540	CS28			ELECT.10µF ±20% 50V RA-2	OA10605020
CQ39			ELECT.10µF ±20% 50V RA-2	OA10605020	CS31			ELECT.10µF ±20% 50V RA-2	OA10605020
CQ40			ELECT.10µF ±20% 50V RA-2	OA10605020	CS32			ELECT.10µF ±20% 50V RA-2	OA10605020
CQ43			ELECT.10µF ±20% 50V RA-2	OA10605020	CS35			CER.50V DC 0.1µF +80-20%	DD38104010
CQ44			ELECT.10µF ±20% 50V RA-2	OA10605020	CS36			CER.50V DC 0.1µF +80-20%	DD38104010
CQ48			CER.50V DC 0.1µF +80-20%	DD38104010	CS37				
CQ49			CER.50V DC 0.1µF +80-20%	DD38104010	CS40			ELECT.10µF ±20% 50V RA-2	OA10605020
					CS41				
					CS45			CER.50V DC 0.1µF +80-20%	DD38104010
					CS51			ELECT.100µF ±20% 16V RA-2	OA10701620
					CS52			ELECT.100µF ±20% 16V RA-2	OA10701620
					C***			PS04-CAPACITORS(COMMON) HIGH DIELECTRIC CONSTANT CER. CAPACITOR ±10% 50V : CS25 CS26 CS29 CS30 CS43	

NOTE : *nsp* PART IS LISTED FOR REFERENCE ONLY, MARANTZ WILL NOT SUPPLY THESE PARTS.

PS9200

POS. NO	VERS. COLOR	PART NO. (FOR PCS)	DESCRIPTION	PART NO. (MJJ)	POS. NO	VERS. COLOR	PART NO. (FOR PCS)	DESCRIPTION	PART NO. (MJJ)
CX09			ELECT.470µF ±20% 6.3V RA-2	OA47700620	R***			PX04- RESISTORS(COMMON) CARBON FILM FIXED RES. ±5% 1/6W : RX28 RX30-RX34 RX36	
CX10			ELECT.22µF ±20% 16V RA-2	OA22601620					
CX11			ELECT.470µF ±20% 6.3V RA-2	OA47700620					
CX12			ELECT.22µF ±20% 16V RA-2	OA22601620					
CX25								PX04- SEMICONDUCTORS	
}			ELECT.10µF ±20% 50V RA-2	OA10605020	QX01			IC,NJM2234D DIP TYPE	HC10143090
CX34					QX02			IC,VIDEO SW NJM2296D 5IN 3OUT	HC10217090
CX35			ELECT.470µF ±20% 6.3V RA-2	OA47700620					
CX36			ELECT.22µF ±20% 16V RA-2	OA22601620	QX03			IC,NJM2234D DIP TYPE	HC10143090
CX37			ELECT.10µF ±20% 50V RA-2	OA10605020	QX04			IC,VIDEO SW NJM2296D 5IN 3OUT	HC10217090
CX38			ELECT.10µF ±20% 50V RA-2	OA10605020					
CX39			ELECT.470µF ±20% 6.3V RA-2	OA47700620	QX05			IC,NJM2249D	HC10221090
CX40			ELECT.22µF ±20% 16V RA-2	OA22601620	QX06			IC,NJM2235D	HC10222090
CX41			CER.0.01µF Z 50V	DK18103310	QX07			IC,BA7622 DIP	HC10220210
CX42			ELECT.10µF ±20% 50V RA-2	OA10605020					
CX44			ELECT.10µF ±20% 50V RA-2	OA10605020				PX04- MISCELLANEOUS	
CX45			ELECT.100µF ±20% 10V RA-2	OA10701020	JX01			TERMINAL,2P S-VIDEO JACK GOLD	YT02021520
CX46			CER.50V DC 0.1µF +80-20%	DD38104010	JX02			TERMINAL,2P S-VIDEO JACK GOLD	YT02021520
CX48			ELECT.100µF ±20% 10V RA-2	OA10701020	JX03			TERMINAL,3P S-VIDEO JACK GOLD	YT02030550
CX49			CER.50V DC 0.1µF +80-20%	DD38104010	JX04			TERMINAL,3P S-VIDEO JACK GOLD	YT02030550
CX51			CER.47pF ±5% CH 50V BLK	DD15470300					
CX53			ELECT.10µF ±20% 50V RA-2	OA10605020	LX01			EMI FILTER,DSS306-91-F-223Z	FM12223010
CX54			ELECT.10µF ±20% 50V RA-2	OA10605020	LX02			EMI FILTER,DSS306-91-F-223Z	FM12223010
CX55			CER.0.01µF Z 50V	DK18103310					
CX56			ELECT.10µF ±20% 50V RA-2	OA10605020				PY04- CONNECTOR	
CX57			CER.0.01µF Z 50V	DK18103310				CIRCUIT BOARD	
CX58			ELECT.10µF ±20% 50V RA-2	OA10605020				PY04- CAPACITORS	
CX61			CER.0.01µF Z 50V	DK18103310	C851			CER.0.01µF Z 50V	DK18103310
CX62			ELECT.10µF ±20% 50V RA-2	OA10605020	C852			CER.0.01µF Z 50V	DK18103310
CX64			ELECT.10µF ±20% 50V RA-2	OA10605020	C853			ELECT.2200µF ±20% 35V RA-2	OA22803520
CX65			ELECT.100µF ±20% 10V RA-2	OA10701020	C854			ELECT.2200µF ±20% 35V RA-2	OA22803520
CX66			CER.50V DC 0.1µF +80-20%	DD38104010	C855				
CX68			ELECT.100µF ±20% 10V RA-2	OA10701020	}			CER.0.01µF Z 50V	DK18103310
CX69			CER.0.01µF Z 50V	DK18103310	C858				
CX71			CER.47pF ±5% CH 50V BLK	DD15470300	C859			ELECT.100µF ±20% 16V RA-2	OA10701620
CX72			ELECT.10µF ±20% 50V RA-2	OA10605020	C860			ELECT.100µF ±20% 16V RA-2	OA10701620
CX73			CER.0.01µF Z 50V	DK18103310	C861			CER.0.01µF Z 50V	DK18103310
CX74			ELECT.10µF ±20% 50V RA-2	OA10605020	C862			CER.0.01µF Z 50V	DK18103310
CX75			ELECT.10µF ±20% 50V RA-2	OA10605020	C863			ELECT.2200µF 10V	EA22901010
CX79			ELECT.100µF ±20% 16V RA-2	OA10701620	C864			ELECT.2200µF ±20% 35V RA-2	OA22803520
CX80			ELECT.1µF ±20% 50V RA-2	OA10505020	C865				
CX81			ELECT.10µF ±20% 50V RA-2	OA10605020	}			CER.0.01µF Z 50V	DK18103310
CX82			CER.0.022µF TP050F223Z	DA17223110	C868				
CX83			ELECT.100µF ±20% 16V RA-2	OA10701620	C869			ELECT.100µF ±20% 16V RA-2	OA10701620
CX84			CER.0.01µF Z 50V	DK18103310	C870			ELECT.100µF ±20% 16V RA-2	OA10701620
CX85			ELECT.10µF ±20% 50V RA-2	OA10605020	C871			CER.0.01µF Z 50V	DK18103310
CX86			CER.0.01µF Z 50V	DK18103310	C872			CER.0.01µF Z 50V	DK18103310
CX87			CER.0.01µF Z 50V	DK18103310	C873			ELECT.100µF ±20% 16V RA-2	OA10701620
CX88			ELECT.10µF ±20% 50V RA-2	OA10605020	C874			ELECT.100µF ±20% 10V RA-2	OA10701020
CX89			CER.0.01µF Z 50V	DK18103310	C875			ELECT.100µF ±20% 16V RA-2	OA10701620
CX91			CER.20pF ±5% CH 50V BLK	DD15200300	C876			CER.0.01µF Z 50V	DK18103310
CX92			CER.20pF ±5% CH 50V BLK	DD15200300	C877			CER.0.01µF Z 50V	DK18103310
CX93			CER.47pF ±5% CH 50V BLK	DD15470300	C878			ELECT.100µF ±20% 16V RA-2	OA10701620
					C879			ELECT.100µF ±20% 16V RA-2	OA10701620
			PX04- RESISTORS		CM81				
RX01					}			CER.50V DC 0.1µF +80-20%	DD38104010
}			75Ω ±5% 1/6W	GD05750160	CM85				
RX20									
RX29			75Ω ±5% 1/6W	GD05750160	CW01			ELECT.10µF ±20% 50V RA-2	OA10605020
RX37					CW02			ELECT.10µF ±20% 50V RA-2	OA10605020
}			75Ω ±5% 1/6W	GD05750160	CW05			ELECT.10µF ±20% 50V RA-2	OA10605020
RX40					CW06			ELECT.10µF ±20% 50V RA-2	OA10605020

NOTE : *nsp* PART IS LISTED FOR REFERENCE ONLY, MARANTZ WILL NOT SUPPLY THESE PARTS.

PS9200

POS. NO	VERS. COLOR	PART NO. (FOR PCS)	DESCRIPTION	PART NO. (MJI)	POS. NO	VERS. COLOR	PART NO. (FOR PCS)	DESCRIPTION	PART NO. (MJI)
CW07			CER.0.01µF Z 50V	DK18103310				PY04- MISCELLANEOUS FUSE 2.0A 125V UL/CSA	FS20200220
CW08			CER.0.01µF Z 50V	DK18103310	▲ F851				
CW31			ELECT.10µF ±20% 50V RA-2	OA10605020	▲ F852				
CW32			ELECT.10µF ±20% 50V RA-2	OA10605020	▲ F853				
CW35			ELECT.10µF ±20% 50V RA-2	OA10605020	▲ F854				
CW36			ELECT.10µF ±20% 50V RA-2	OA10605020					
CW37			CER.0.01µF Z 50V	DK18103310					
CW38			CER.0.01µF Z 50V	DK18103310					
CY01			CER.0.01µF Z 50V	DK18103310					
			PY04-CAPACITORS(COMMON) HIGH DIELECTRIC CONSTANT CER. CAPACITOR ±10% 50V : CM83 CM86						
			PY04- RESISTORS 150Ω ±5% 1/4W 1Ω ±5% 1/6W	GG05151140 GG05010160					
R851									
R852									
			PY04- RESISTORS(COMMON) CARBON FILM FIXED RES. ±5% 1/6W : RM81 RM83-RM85 RW01-RW04 RW31-RW34						
			PY04- SEMICONDUCTORS						
▲ D851			DIODE, 1D3 1A/200V	HD20002710					
▲ } D858									
D859			DIODE,1GWJ43	HD20031050					
D860			DIODE,1D3 1A/200V	HD20002710					
▲ D861			DIODE, S2VB20	HE20011290					
D862			DIODE,1D3 1A/200V	HD20002710					
D863			DIODE,1D3 1A/200V	HD20002710					
D864			DIODE,1D3 1A/200V	HD20002710					
▲ D865			ZENER, MTZJ3.0B	HD30301000					
D866			DIODE,1D3 1A/200V	HD20002710					
D867			DIODE,1D3 1A/200V	HD20002710					
D868			DIODE,1D3 1A/200V	HD20002710					
DM81									
}									
DM93			DIODE,1SS176,MA165,1SS254 30V 0.1A	HD20002000					
▲ Q851			IC, NJM7815FA +15V 1A	HC38915090					
▲ Q852			IC, NJM7915FA	HC39915090					
▲ Q853			IC, NJM7805FA +5V	HC38905090					
▲ Q854			IC, NJM7905FA	HC39905090					
▲ Q855			IC, NJM7805FA +5V	HC38905090					
▲ Q856			IC, BA033T +3.3V 1A TYPE	HC36J33210					
▲ Q857			TRS. 2SC4793 O,Y	HT347932A0					
▲ Q858			TRS. 2SC4793 O,Y	HT347932A0					
QM81			IC,74HC4094 16PIN DIP	HC709449B0					
QM82			IC,74HC4094 16PIN DIP	HC709449B0					
QM83									
}									
QM88			DIG.TR.S.DTA114ES/UN4111 10K,10K	BA10001000					
QM89			DIG.TR.S.DTC114ES/UN4211 10K,10K	BA20001000					
QM90			DIG.TR.S.DTA114ES/UN4111 10K,10K	BA10001000					
QW01			IC,NJM-2068-DD	HC10053090					
QW31			IC,NJM4558D-D	HC10008090					
QY01			IC,TC74HC368AP	HC736805B0					

NOTE : *nsp* PART IS LISTED FOR REFERENCE ONLY, MARANTZ WILL NOT SUPPLY THESE PARTS.